

# INSTALLATION INSTRUCTIONS

For Model #1013-PL

READ AND SAVE THESE INSTRUCTIONS

**WARNING! SHUT POWER OFF AT FUSE OR CIRCUIT BREAKER.**

**AVERTISSEMENT! COUPER LE COURANT AU NIVEAU DES FUSIBLES OU DU DISJONCTEUR.**

## NOTE

Turn off the main power at the circuit breaker before installing the fixture, in order to prevent possible shock.

## GENERAL

All electrical connections must be in accordance with local and national electrical code (N.E.C) standards. If you are unfamiliar with proper electrical wiring connections obtain the services of a qualified electrician.

Carefully unpack your new fixture and lay out all the parts in a clear area. Take care not to lose any small parts necessary for installation.

## ASSEMBLY AND INSTALLATION

1. Turn off the power

2. SOCKET INSTALLATION (See FIG. 1.).

Insert the SOCKET (1) into the SOCKET PLATE (2) by pushing up the socket. Be sure that the sockets protrude out from provided slots of the socket plate.

3. END PLATE INSTALLATION (See FIG. 2.).

Insert the END PLATE (3) into the U CHANNEL (4) by snapping into the hole of U channel.

4. SECURE THE CLIP (See FIG. 3).

Secure the Clip (5) to the end of the U Channel (4) by using the screws provided.

5. Secure the Circular Strap (8) to the Outlet Box (6) by tightening the two Mounting Screws (10). (Size: #8-32\*0.75" L)

6. Position the U Channel (4) over the Outlet Box (6), mark the location of the two key holes located on the U channel (4) onto the ceiling. Remove the U Channel (4) from the ceiling. Drill the two holes using an appropriately sized drill bit. Insert the provided ceiling Anchors (7) into the holes.

7. Make the wiring connections: connect the white supply wire to the white fixture wire; connect the black supply wire to the black fixture wire; connect the house ground wire to the fixture ground wire by using the wire connectors. Carefully tuck all wires back into the Outlet Box. (See FIG. 6).

8. Locate the U channel (4) over the Circular Strap (8) through the 2 Outward Screws (9) and secure it by tightening two Nuts (11)

9. Feed the two Anchor Screws (12) through the two key holes on U Channel (4). Tighten the Anchor Screws (12) into the ceiling anchors (7).

10. Insert the tab on the end of Face Cover (13) to the hole of the Socket Plate (2) and secure the face cover to the U Channel (4) by twisting the Fastener (16). (See FIG. 4).

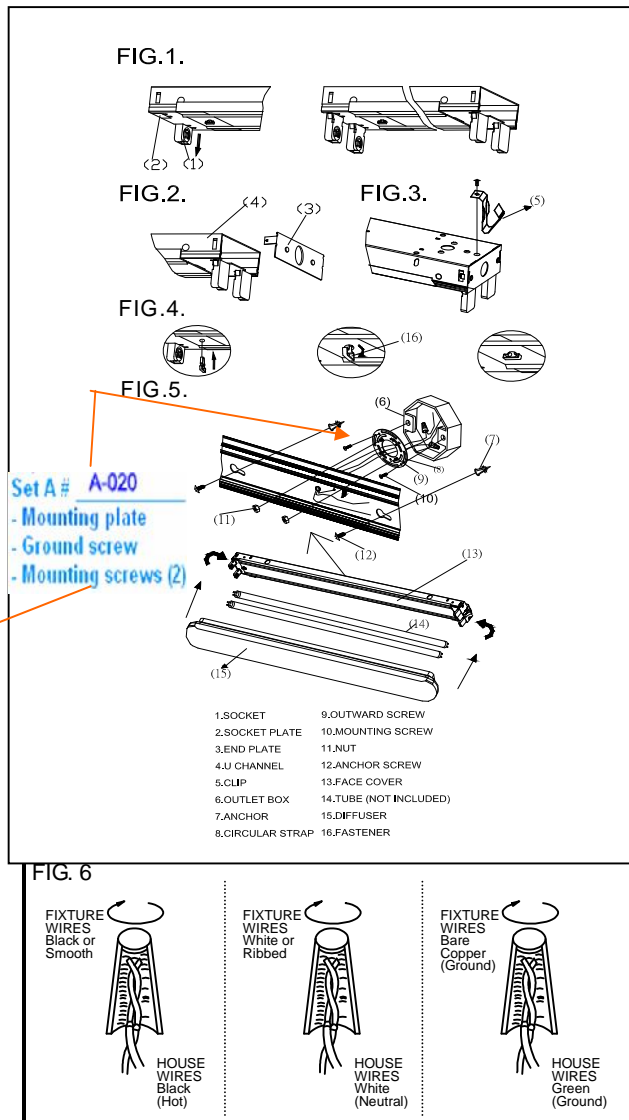
11. Now you are ready to install the Lamps (14). Do not exceed the recommend wattage. (NE PAS DEPASSER LA PUISSANCE NOMINALE MAXIMALE) (Simultaneously insert the pins into both ends of the fixture and rotate the bulb until you hear and feel them lock into place)

12. Carefully push the Diffuser (15) to the Clips (5) until the Diffuser (15) is held by the Clips (5) onto the fixture body.

13. The color correlated Temperature (CCT) for replacing the recommended lamp is (4100K).

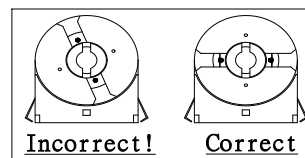
## INSTALLATION IS NOW COMPLETED

The ballast in each of these models can be replaced by a qualified electrician without cutting of wires and without damage to the housing, trim, decorative elements or carpentry to which the fixture is attached. See installation steps for more detail.



## LIMITED 3 YEAR WARRANTY

This Fixture is covered by a Limited 3 year Warranty from the Manufacturer, effective from the date of purchase. This fixture is warranted against defects in the quality of the housing, trims, diffuser, shades, and electrical components. Fixture finishes and/or lamps (bulbs) are expressly excluded from this warranty; refer to bulb manufacturer for lamp warranty.



Use screw driver to loosen the ballast screw and take it out of fixture pan.



Insert the Ballast to the triangle hole and then secure it by the screw on the other end.

