

# INSTALLATION INSTRUCTIONS

For Model #662-PL,663-PL

**WARNING! SHUT POWER OFF AT FUSE OR CIRCUIT BREAKER.**

## CAUTION

Turn off the main power at the circuit breaker before installing the fixture, in order to prevent possible shock.

## GENERAL

All electrical connections must be in accordance with local and national electrical code (N.E.C) standards. If you are unfamiliar with proper electrical wiring connections obtain the services of a qualified electrician.

Remove the fixture and the mounting package from the box and make sure that no parts are missing by referencing the illustrations on the installation instruction.

## ASSEMBLY AND INSTALLATION

1. Turn off the power.
2. Remove the NUTS (18) from one of the END CAP (17). Then take the End Cap out and pull the Acrylic Lens(21) out from the other end of End Cap(17).
3. Pull the SUPPLY WIRES (2) & (4) and HOUSE GROUND WIRE (3) out from the OUTLET BOX (1).
4. Loosen the 2 COPPER NUTS(22) on the FIXTURE BODY(14). Then take the BACK PANEL(10) out from the FIXTURE BODY(14).
5. Position the BACK PANEL(10) over the OUTLET BOX (1). Mark the location of the two KEYHOLE SLOTS located on the BACK PANEL(10). Be sure to mark only the narrow part of the KEYHOLE SLOTS. Remove the BACK PANEL(10) from the ceiling. Drill the two holes using the appropriately sized drill bit. Insert the provided Ceiling ANCHORS (9) into the holes.
6. Put all the fixture wires through BACK PANEL (10).
7. Make the wiring connections: connect the WHITE SUPPLY WIRE(4) to the WHITE FIXTURE WIRE(5); connect the BLACK SUPPLY WIRE(2) to the BLACK FIXTURE WIRE(7); connect the HOUSE GROUND WIRE (3) to the FIXTURE GROUND WIRE (8) using WIRE CONNECTOR(6) (PROVIDED). Carefully tuck all wires back into the OUTLET BOX (1). (See Fig.2)
8. Locate the BACK PANEL (10) over the OUTLET BOX (1); put the MOUNTING SCREWS (12) through the slots on the BACK PANEL(10). Then secure the MOUNTING SCREWS(12) to the OUTLET BOX(1) tightly. Secure the ANCHOR SCREWS (11) to the ANCHORS(9).
9. Put the FIXTURE BODY(14) over the BACK PANEL(10) through the SCREWS(13) and secure it by 2 COPPER NUTS (16).
10. Now you are ready to install the LAMP (20). Take the LAMP (20) out of Styrofoam. Do not exceed recommended maximum wattage.
11. Insert the ACRYLIC LENS (21) to one end of the End Cap. then put the other end cap through the SCREWS(15) and secured by the NUTS(18).

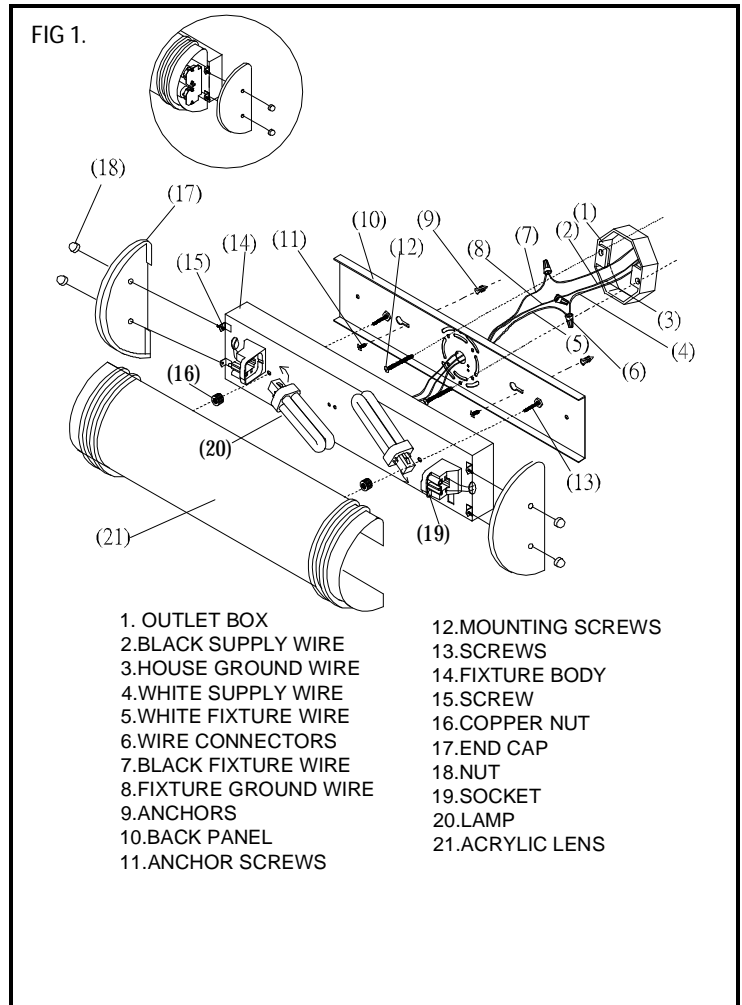
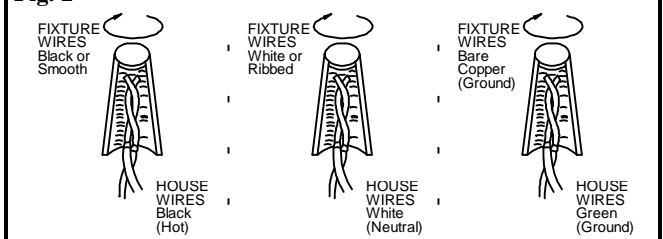


Fig. 2



**INSTALLATION IS NOW COMPLETED**