

INSTALLATION INSTRUCTION F19-7010-PL

For Flush Mount Ceiling Fixture

WARNING! SHUT POWER OFF AT FUSE OR CIRCUIT BREAKER .
AVERTISSEMENT! COUPER LE COURANT AU NIVEAU DES FUSIBLES OU DU DISJONCTEUR.

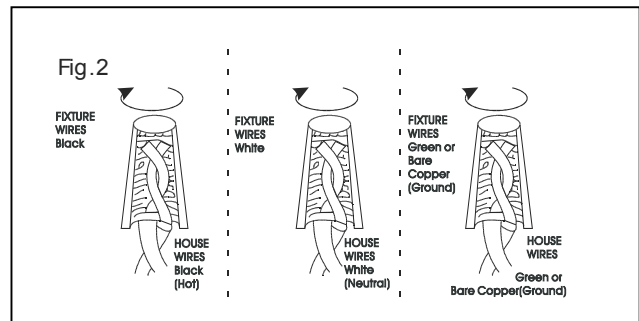
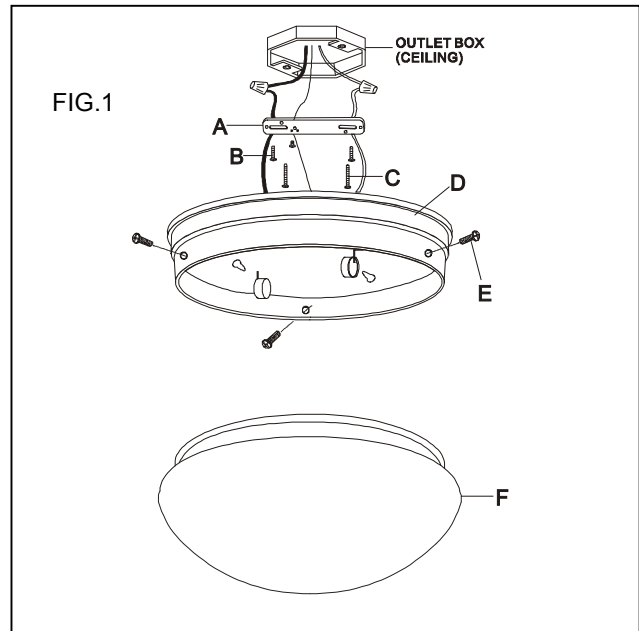
MOUNTING THE FIXTURE

1. Shut off power at the fuse box or circuit breaker box. Remove the old fixture from ceiling. Including the crossbar.
2. Carefully unpack your new fixture and lay out all the parts on a clear area. Take care not to lose any small parts necessary for installation.
3. Thread the two mounting screws (C) about 1/4" into the pre-drilled holes in the crossbar (A), spaced the same distance apart as the holes in the ceiling pan (D).
4. Attached the crossbar (A) to the outlet box using the two screws (B) from the outlet box. The side of the crossbar marked "GND" must face out.
5. At this point, connect the electrical wires as show in (Fig. 2). Making sure all wire nuts are secured. You may have to wrap the connections with electrical tape. If your outlet has a ground wire (green or bare copper), connect the fixture's ground wire to it. Otherwise connect fixture's ground wire directly to the crossbar using the green screw provided.
6. Tuck these wire connections neatly into the ceiling junction box and then raise the ceiling pan (D) all the way to the ceiling.
7. Finish mounting the ceiling pan (D) by placing it over both mounting screws (C) so that protrude through the "keyholes" in the bottom of the pan. Rotate the pan until the screws are in the slots of the "keyholes" and tighten with a screwdriver.
8. Install the light bulbs in accordance with the fixture's specifications.

(DO NOT EXCEED THE MAXIMUM WATTAGE RATING!) (NE PAS DEPASSER LA PUISSANCE NOMINALE MAXIMALE!).

9. The ballasts in each of these models can be replaced by a qualified electrician without cutting of wires and without damage to the housing, trim, decorative elements or carpentry to which the fixture is attached. See installation steps for more detail.
10. The ballast and lamp are combined, to replace or install, twist pins into socket as shown on Fig.3.
11. The color correlated Temperature (CCT) for Replacing the enclosed lamp is (2700K).
12. Raise the glass (F) to the ceiling pan (D) and secure with thumb screws (E).

YOUR installation is now complete. Return power to the junction box and test the fixture.



Limited 3 Year Warranty

This fixture is covered by a limited 3 year warranty from the Manufacturer, effective from the date of purchase. This fixture is warranted against defects in the quality of the housing, trims, diffuser, shades, and electrical components. Fixture finishes and/or lamps (bulbs) are expressly excluded from this warranty; refer to the bulb manufacturer for lamp warranty.

Contains Mercury (Hg) Dispose of according to Local, State and Federal Law. (www.epa.gov/bulbrecycling)

