

INSTALLATION INSTRUCTION FOR FIXTURE#1738

WARNING! SHUT POWER OFF AT FUSE OR CIRCUIT BREAKER.
AVERTISSEMENT! COUPER LE COURANT AU NIVEAU DES FUSIBLES OU DU DISJONCTEUR.

ASSEMBLING THE FIXTURE (Fig. 1)

1. Shut off the power at the fuse box or circuit breaker. If necessary, remove the old fixture and all mounting hardware from junction box.
2. Carefully unpack your new fixture and lay out all the parts in a clear area. Take care not to lose any parts necessary for installation.
3. Thread the stem (I) into the coupling (K), then secure with the hex nut.
4. Place the tube (J), wheel (H), canopy (D), steel washer (G), and lock washer (F) over the stem (I) and secure with hex nut (E).
5. Place the glass shade (M) over the socket (N) and secure it with the socket ring (L) (SKT-RING-26).
6. Attach the mounting plate (B) to the outlet box using the outlet box screws (A) (Size: 8-32 * 1 L.). The side of the mounting bar marked "GND" must face out.

CONNECTING THE WIRES (Fig.2)

7. At this point, connect the electrical wires as shown in figure 2, making sure that all wire connectors are secured. If your outlet box has a ground wire (green or bare copper), connect the ground wires from the mounting plate to it. Otherwise, connect the fixture's ground wire directly to the mounting plate using the green screw provided. After the wires are connected, tuck them carefully into the outlet box.

COMPLETING THE INSTALLATION (Fig.1)

8. Attach the fixture body onto the mounting plate (B) by securing the ceiling canopy (D) onto the mounting plate (B) with the mounting screw (C).
9. Install the bulb(s) in accordance with the fixture's specifications. **(DO NOT EXCEED THE MAXIMUM WATTAGE RATING!) (NE PAS DEPASSER LA PUISSANCE NOMINALE MAXIMALE!)**

Your installation is now complete. Return the power to the junction box and test the fixture.

Fig.1

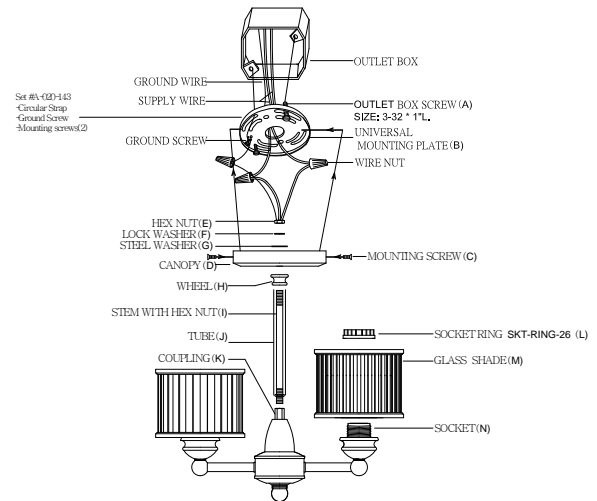


Fig .2

