



CONTRACTOR™

BY
minkaAire®
A Minka Group® Co.

INSTRUCTION MANUAL WARRANTY CERTIFICATE

Manual design and all elements of manual design are protected by U.S. Federal and/or State Law, including Patent, Trademark and/or Copyright laws.



The Minka-Aire® warranty is for one (1) year from the date of purchase from an authorized Minka-Aire® dealer. This warranty is only valid to the original purchaser or user against all defects in material and workmanship (light bulbs excluded) for one (1) full year. Additionally, Minka-Aire® warrants the motor only for the lifetime of the Minka Aire ceiling fan (excluding wall controls and electrical components), to the original purchaser or user.

- * The warranty is voided with the use of any non- Minka-Aire® electrical devices, E.g., wall controls or electrical dimmer switches, etc...
- * The warranty is void once the original purchaser or user ceases to own the fan or the fan is moved from its original point of installation.
- * The warranty is void with the use of any hanger bracket (non-Minka Aire or non-fan specific) other than the hanger bracket supplied & installed with this specific fan.

Warranty Service Information

To obtain warranty service during the warranty period, the purchaser should return the fan with the sales receipt to the original place of purchase. The authorized Minka-Aire® dealer, at its sole discretion, will either repair or replace the fan after verifying the legitimacy of the warranty claim. Replacement is subject to availability of the same model. If the model is unavailable it will be replaced by one of equal value. This is a limited warranty; the original purchaser or user is responsible for the cost of removal and reinstallation of repaired or replacement product.

To obtain the name of the Minka-Aire® authorized dealer nearest you call the Minka-Aire® customer care department at 1-800-307-3267, or contact Minka-Aire® through www.minkagroup.net and write to: "Ask Mr. Minka" to answer any questions or if you require assistance.

Date Purchased _____ Store Purchased _____ Model Number F647 Serial Number _____

CONTENTS

SAFETY RULES.....	1	ATTACHING THE FAN BLADES.....	7
PACKAGE CONTENTS.....	2	LIGHT KIT INSTALLATION	8
INSTALLING THE FAN.....	3	OPERATING YOUR FAN.....	9
HANGING THE FAN.....	4	CARE OF YOUR FAN.....	10
ELECTRICAL CONNECTIONS.....	5	TROUBLESHOOTING.....	11
FINISHING THE INSTALLATION.....	6	SPECIFICATIONS.....	12



1151 W. Bradford Court, Corona, CA 92882 • For Customer Assistance Call: 1-800-307-3267



1

SAFETY RULES

1. Before you begin installing the fan, shut power off at the circuit breaker of the fuse box.
2. **Be cautious!** Read all instructions and safety information before installing your new fan. Review accompanying assembly diagrams.
3. Make sure that all electrical connections comply with local codes, ordinances, or National Electrical Codes. Hire a qualified electrician or consult a do-it-yourself wiring handbook if you are unfamiliar with installing electrical wiring.
4. Make sure the installation site you choose allows the fan blades to rotate without any obstructions. Allow a minimum clearance of 7 feet from the floor and 18 inches from the tip of the blades to the wall.
5. If you are mounting the fan to a ceiling fan outlet box, use a U.L. Listed metal octagonal outlet box marked "Acceptable for Fan Support". Secure the box directly to the building structure. The outlet box and its support must be able to support the moving weight of the fan (at least 50 pounds) Do not use a plastic box.
6. **Caution:** To reduce the risk of injury use only the screws provided with the outlet box in conjunction with the lock washers provided with the fan.
7. If you are mounting the fan to a joist, make sure it is able to support the moving weight of the fan (at least 50 pounds).
8. After you install the fan, make sure that all mounting components are secured to prevent the fan from falling.
9. Do not insert anything into the fan blades while the fan is operating.
10. Turn the fan off and wait for the blades to stop completely before proceeding with maintenance or cleaning.

ATTENTION: The Energy Policy Act of 2005 requires this fan to be equipped with a 190 watt limiting device. If lamping exceeds 190 watts, the ceiling fan's light kit will shut off automatically.

NOTE: The important safeguards and instructions appearing in this manual are not meant to cover all possible conditions and situations that may occur. It must be understood that common sense, caution and care are factors which can not be built into this product. These factors must be supplied by the person(s) installing, caring for and operating the unit.

NOTE: READ AND SAVE ALL INSTRUCTIONS!

WARNING

TO REDUCE THE RISK OF FIRE, ELECTRIC SHOCK OR OTHER PERSONAL INJURY, MOUNT FAN ONLY TO A U.L. LISTED OUTLET BOX OR SUPPORTING SYSTEM MARKED ACCEPTABLE FOR FAN SUPPORT AND USE MOUNTING SCREWS PROVIDED WITH THE OUTLET BOX IN CONJUNCTION WITH THE LOCK WASHERS PROVIDED WITH THE FAN. MOST OUTLET BOXES COMMONLY USED FOR FAN SUPPORT OF LIGHTING FIXTURES ARE NOT ACCEPTABLE FOR FAN SUPPORT AND NEED TO BE REPLACED. CONSULT A QUALIFIED ELECTRICIAN IF IN DOUBT.

TO REDUCE THE RISK OF PERSONAL INJURY, DO NOT BEND THE BLADE HOLDERS WHILE INSTALLING, BALANCING THE BLADES OR CLEANING THE FAN. DO NOT INSERT FOREIGN OBJECTS BETWEEN ROTATING FAN BLADES.

TO REDUCE THE RISK OF FIRE OR ELECTRONIC SHOCK, DO NOT USE THIS FAN WITH ANY SOLID-STATE SPEED CONTROL DEVICE.

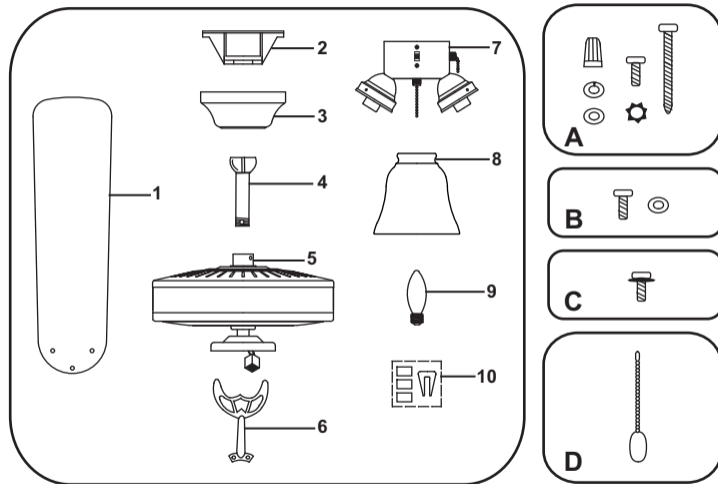
2

PACKAGE CONTENTS

Unpack your fan and check the contents. You should have the following items:

1. Fan blades (5)
2. Hanger bracket
3. Canopy
4. Standard downrod assembly
5. Fan motor/housing assembly
6. Blade holders (5)
7. Light kit
8. Glass shades (3)
9. 60W/E12 base candelabra bulbs (3)
10. Balancing kit

- A. Mounting hardware:
 #10 x 1.5" Wood screws (2 PCs.)
 #8 x 3/4" Machine screws (2 PCs.)
 Lock washers (2 PCs.)
 4mm star washers (2 PCs.)
 Wire nuts (3 PCs.)
 Washers (2 PCs.)
- B. Blade attachment hardware:
 3/16" x 7.5 mm screws (16 PCs.)
 Fiber washers (16 PCs.)
- C. Bracket holder hardware:
 1/4" x 1/2" Screws with lock washers (11 PCs.)
- D. Switch cup hardware:
 Pull chain fobs (2 PCs.)



Tools Required: Phillips screw driver; slotted screw driver; step-ladder; wire cutters; electrical tape.

INSTALLING THE FAN

MOUNTING OPTIONS

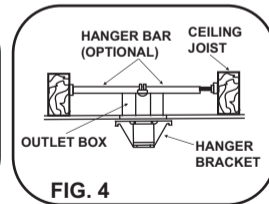
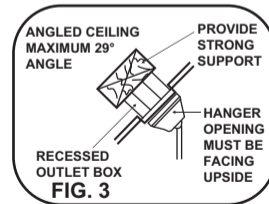
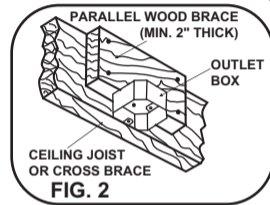
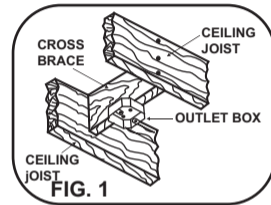
If there isn't an existing mounting box, then read the following instructions. Disconnect the power by removing fuses or turning off circuit breakers.

Secure the outlet box directly to the building structure. Use appropriate fasteners and building materials. The outlet box and its support must be able to fully support the moving weight of the fan (at least 50 lbs.). Use a UL Listed metal outlet box. Do not use a plastic outlet box.

Figure 1, 2 and 3 are examples of different ways to mount the outlet box.

Note: You may need a longer downrod to maintain proper blade clearance when installing on a steep, sloped ceiling. Longer downrods are available from your Minka-Aire® dealer.

To hang your fan where there is an existing fixture but no ceiling joist, you may need to install a hanger bar as shown in Fig. 4 (available at your Minka-Aire® dealer).



4

HANGING THE FAN

WARNING: All of the parts, hardware and components such as the hanger bracket and hanger ball have been provided for your safety and the proper installation of your new ceiling fan. The use of other parts, hardware or components not supplied by Minka Aire® with the fan will void the Minka Aire® Warranty.

REMEMBER to turn off the power. Follow the steps below to hang your fan properly:

Step 1. Secure the Hanger Bracket to the ceiling outlet box using the screws provided with your outlet box in conjunction with the lock washers provided with the fan. (Fig. 5)

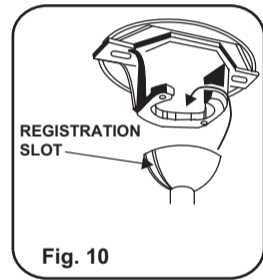
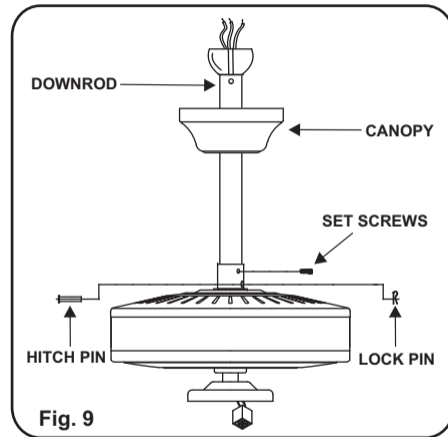
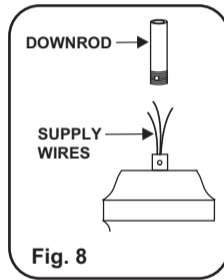
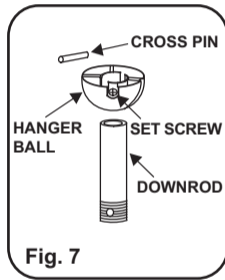
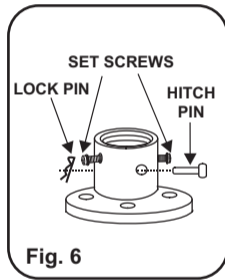
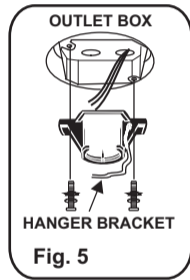
Step 2. Loosen the two Set Screws and remove the Hitch Pin and Lock Pin from the coupling located on the top of the Motor Assembly. (Fig. 6)

Step 3. Remove the Hanger Ball from the Downrod Assembly by loosening the Set Screw and removing the Cross Pin. (Fig. 7)

Step 4. Carefully feed fan wires up through the downrod. (Fig. 8) Thread Downrod into the Coupling until the holes are lined up and secure with the Lock Pin and Hitch Pin previously removed, tighten Set Screws. (Fig. 9)

Step 5. Slip Canopy onto Downrod. Carefully re-install the Hanger Ball onto the Downrod being sure that it's properly positioned over the Cross Pin and the wires are not twisted, tighten the Set Screws. (Fig. 9)

Step 6. Lift the Motor Assembly and place the Hanger Ball into the Hanger Bracket. Rotate the Motor Assembly as needed until the check groove from the Hanger Ball rests firmly over the registration tab from the Hanger Bracket. Motor Assembly should not rotate if this is done correctly. (Fig. 10)



5

ELECTRICAL CONNECTIONS

REMEMBER to shut the power off at the circuit breaker or fuse box.

Follow the steps below to connect the fan to your house supply wires. Use the wire nuts supplied with your fan. Secure the wire nuts by wrapping the connection with electrical tape.

Step 1. Connect the black (hot) wire from the ceiling to the black and the blue wires from the fan. Connect the white (Neutral) wire from the ceiling to the white wire from the fan. (Fig 11)

Step 2. If your outlet has a ground wire (Green or Bare Copper) connect the fan ground wires (on hanger ball and hanger bracket) to it; otherwise connect the fan ground wire on hanger ball directly to the hanger bracket (Fig. 11)

Step 3. Figure 12 & 13 Illustrate the wiring connections using optional wall unit. (Available at your Minka-Aire® Retailer.)

NOTE: If a light kit is not included with your fan, one can be purchased at your Minka-Aire® Retailer.

FAN CONTROLLED BY PULL CHAIN, LIGHT KIT CONTROLLED BY PULL CHAIN.

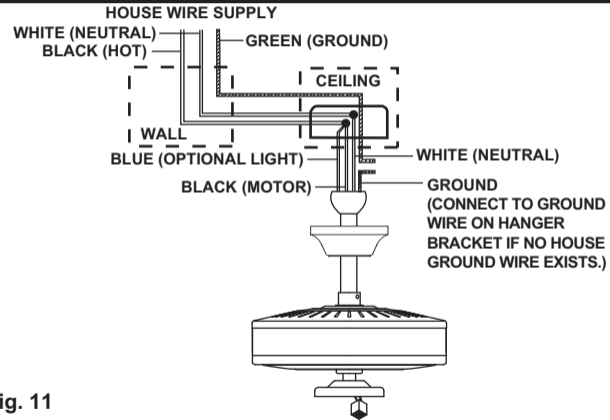
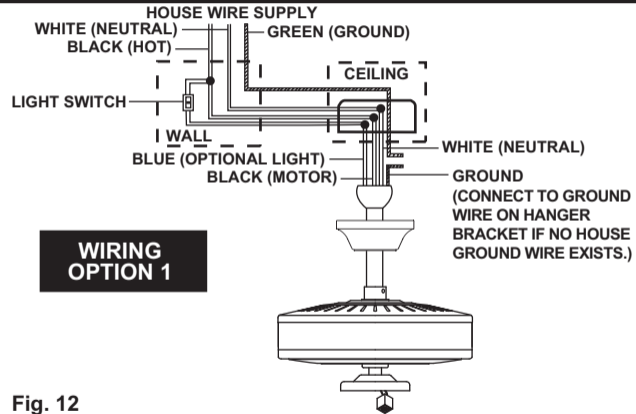
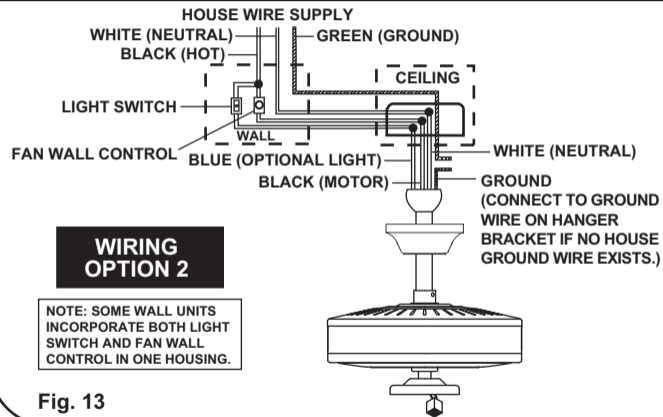


Fig. 11

FAN CONTROLLED BY PULL CHAIN, LIGHT KIT CONTROLLED BY WALL SWITCH.



FAN CONTROLLED BY WALL CONTROL, LIGHT KIT CONTROLLED BY LIGHT SWITCH.



6

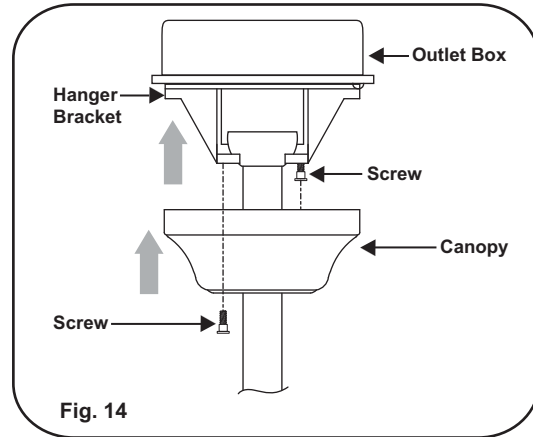
FINISHING THE INSTALLATION

Step 1. Remove 1 of the 2 screws from the bottom of the hanger bracket and loosen the other one half a turn from the screw head.

Step 2. Slide the canopy up towards the hanger bracket and place the key hole on the canopy over the screw on the hanger bracket, turn canopy until it locks in place at the narrow section of the key holes. (Fig. 14)

Step 3. Align the circular hole on canopy with the remaining hole on the hanger bracket, secure by tightening the two set screws.

Note: Adjust the canopy screws as necessary until the canopy are snug.

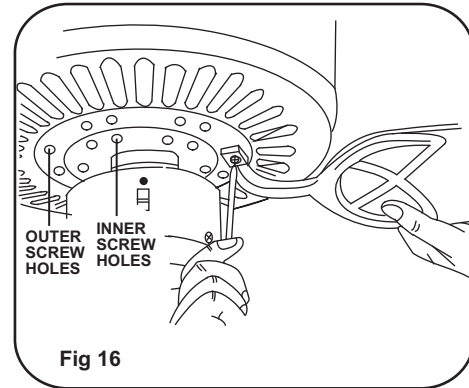
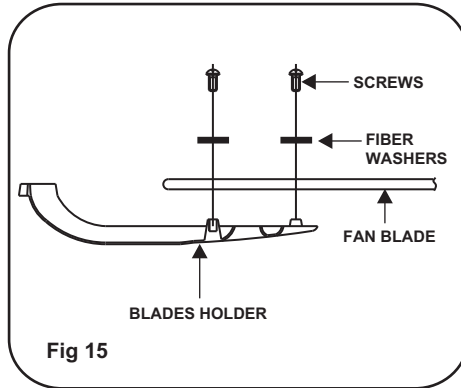


ATTACHING THE FAN BLADES

Step 1. Attach the fan blades to the blade holders using the screws and fiber washers provided, tighten screws securely. (Fig. 15)

Step 2. Remove rubber stops from motor. Align motor holes to blade holders and secure with screws provided, tighten screws securely. (Fig. 16)

NOTE: You have the option of installing either five or four blades. If you are using four blades, mount blade holder to the inner screw holes of motor. If you are using five blades, mount blade holder to the outer screw holes of motor. (Fig. 16)



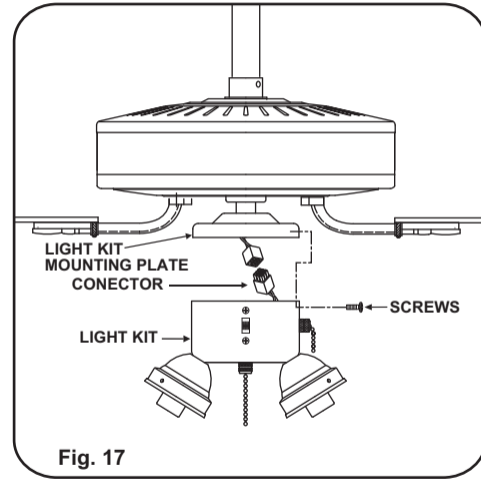
8

LIGHT KIT INSTALLATION

REMEMBER: To disconnect the power. The fan blades must be already attached to the fan.

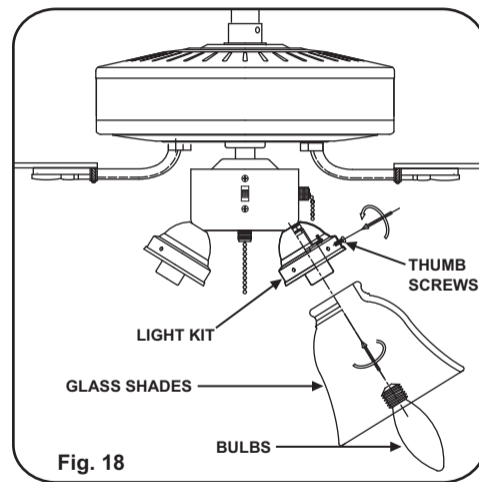
ATTENTION: The Energy Policy Act of 2005 requires this fan to be equipped with a 190 watt limiting device. If lamping exceeds 190 watts, the ceiling fan's light kit will shut off automatically.

Step 1. Remove the screws from the light kit mounting plate. While holding the light kit, firmly snap the wire molexes together. Next, slide light kit up against the mounting plate and rotate it until the screw holes are aligned. Secure light kit to the mounting plate using the screws removed earlier. (Fig. 17) **CAUTION:** Make sure that the wires are not pinched between the switch cup and the switch cup plate.



Step 2. Mount the glass shades to the light kit by unscrewing partway the thumb screws on the glass holders, inserting the glass, then gently tightening the thumb screws by hand evenly to the glass. **DO NOT OVER TIGHTEN.** (Fig. 18) Repeat process with other glass shades.

Step 3. Install 3 x 60W/E12 base candelabra bulbs (included).



9

OPERATING YOUR FAN

Restore power to ceiling fan and test for proper operation.

Speed settings for warm or cool weather depend on factors such as the room size. Ceiling height, number of fans, etc.

The Reverse switch is located on the switch cup. Slide the switch to the Down for warm weather operation. Slide the switch to the Up for cool weather operation.

NOTE: Wait for fan to stop before changing the setting of the slide switch.

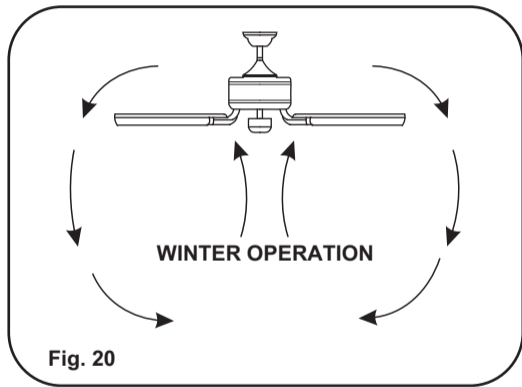
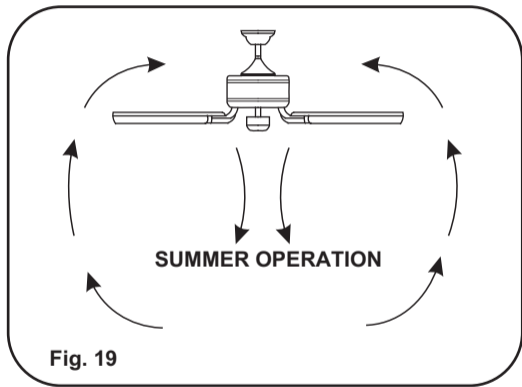
Warm weather - (Forward)

A downward airflow creates a cooling effect as shown in Fig. 19. This allows you to set your air conditioner on a warmer setting without affecting your comfort.

Cool weather - (Reverse)

An upward airflow moves warm air off the ceiling area as shown in Fig. 20. This allows you to set your heating unit on a cooler setting without affecting your comfort.

The pull chain controls the fan speed as follows: 1st pull - High , 2nd pul l - Med, 3rd pull - Low and 4th pul l - Off.



CARE OF YOUR FAN

Here are some suggestions to help maintain your fan.

1. Because of the fan's natural movement some connections may become loose. Check the support connections, brackets and blade attachments twice a year. Make sure they are secure. (It is not necessary to remove fan from the ceiling).
2. Clean your fan periodically to help maintain its new appearance over the years. Use only a soft brush or lint free cloth to avoid scratching the finish. Plated finishes are sealed with lacquer to minimize discoloration or tarnishing. Do not use water when cleaning, this could damage the motor, wood blades or possibly cause an electrical shock.
3. If your fan is provided with wood veneer blades; you can apply a light coat of furniture polish for additional protection and enhanced beauty. Cover small scratches with a light application of shoe polish.

4. Use a lint free lightly damp cloth or duster to remove dust from the blades.
5. There is no need to oil your fan. The motor has permanently lubricated bearings.
6. If your fan is provided with glass shades, clean with lukewarm soapy water and a soft cloth or sponge. **DO NOT IMMERSE GLASS SHADES IN HOT WATER. DO NOT PUT GLASS SHADES INTO AN AUTOMATIC DISHWASHER.**

WARNING!

MAKE SURE THE POWER IS OFF AT THE ELECTRICAL PANEL BOX BEFORE YOU ATTEMPT ANY REPAIRS. REFER TO THE SECTION, "ELECTRICAL CONNECTIONS".

TROUBLESHOOTING

SYMPTOM

Fan will not start

SOLUTION

- Check fuses or circuit breakers.
- Check line wire connections to fan and switch wire connections in switch housing.
CAUTION: Make sure main power is off.
- Check to make sure the reverse is set to one side. If switch is located in the middle it might not make proper contact.

SYMPTOM

Fan Sounds Noisy

SOLUTION

- Allow a 24-hour "break-in" period. Most noises associated with a new fan go away during this time.
- Make sure all motor housing screws are snug.
- Make sure the screws that attach the fan blade bracket to the motor hub are tight.
- Some fan motors are sensitive to signals from solid-state variable speed controls. If you have installed this type of control, choose and install another type of control.

SYMPTOM
Fan Wobble

SOLUTION

- Check that all blade and blade holder screws are secured.
- If a Balancing kit is provided follow the instructions included with the balancing kit to help correct any excessive wobble.

NOTE: All Blade sets are grouped by weight. Because blades vary in density, the fan may wobble even though blades are weight matched.

SYMPTOM
Lights shut off and will not come back on.

SOLUTION

- This unit is equipped with a wattage limiting device. Lamping in excess of 190 watts will disable your ceiling fan's light kit. To reset your light kit you must turn the power off and re lamp, keeping the wattage under 190 watts. Restore power to your ceiling fan and continue normal operation.

SPECIFICATIONS

These are typical readings. Your actual fan may vary. They do not include amps and wattage used by the light(s).

Fan Size	Speed	Volts	Amps	Watts	RPM	CFM	N.W.	G.W.	C.F.
52"	Low	120	0.20	12	56	1300			
	Medium	120	0.36	33	105	2800	7.18	8.17	1.565'
	High	120	0.54	65	160	4800	kgs	kgs	

For any additional information about your Minka Aire® Ceiling fan, please write to;



1151 W. Bradford Court, Corona, CA 92882 • For Customer Assistance Call: 1-800-307-3267