

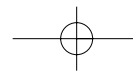
minkaAire™ Sundance™ 52
Model No. F571



Instruction Manual

Indoor/Outdoor Fan

Please Read and Save Instructions **30YEAR**
WARRANTY



Congratulations on your purchase of a **Minka-Aire™** ceiling fan! Your new fan will be a beautiful addition to your home, and will keep you comfortable throughout the year.

Minka-Aire™ offers a variety of ceiling fans: combinations of wood and brass finishes, solid designer colors, and unique glass and crystal designs. A large selection of light fixtures and light kits are also available. Ask your dealer about accessories that will allow you to customize your fan.

We're certain that your **Minka-Aire™** fan will provide you with many years of comfort, energy savings and satisfaction. To ensure your personal safety and to maximize the performance of your fan, please read this manual thoroughly.

LIMITED 30 YEAR WARRANTY

Minka-Aire™ warrants this fan to be free from defects in material and workmanship for one year from the date of purchase, except for the motor. **Minka-Aire™** warrants to the original owner that the motor in this fan shall be free from defects in material and workmanship for 30 years from the date of purchase. **Minka-Aire™** only obligation under this limited warranty is to replace, repair or refund the purchase price for any fan confirmed by **Minka-Aire™** to be defective in material or workmanship after such fan is returned to **Minka-Aire™** by the original purchaser along with a proof of purchase and with shipping charges prepaid. This warranty shall not apply to fans which have been damaged as a result of improper installation, removed from the original installation or subjected to use for which the fan was not designed. The customer shall be responsible for any cost of removing the old fan, installing a new fan or any other cost.

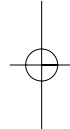
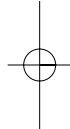
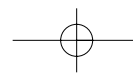
This limited 30 year warranty is in lieu of all other express warranties. **Minka-Aire™** shall under no circumstances be liable for any incidental or consequential damages.

Date Purchased _____

Store Purchased _____

Model No. F571

Serial No. _____



CONTENTS

| | |
|------------------------------------|----|
| SAFETY FIRST | 1 |
| PACKAGE CONTENTS | 2 |
| BEGIN INSTALLATION | 3 |
| HANGING THE FAN | 4 |
| ELECTRICAL CONNECTIONS | 5 |
| FINISHING THE INSTALLATION | 6 |
| ATTACHING THE FAN BLADES | 7 |
| ATTACHING THE SWITCH CUP CAP | 8 |
| OPERATING YOUR FAN | 9 |
| MAINTENANCE | 10 |
| TROUBLESHOOTING | 11 |
| SPECIFICATIONS | 12 |



1151W. Bradford Court, Corona CA 92882
All Rights Reserved



1. SAFETY RULES

1. Before you begin installing the fan, **shut power off** at the circuit breaker of the fuse box.

2. Be cautious! Read all instructions and safety information before installing your new fan. Review accompanying assembly diagrams.

3. Make sure that all electrical connections comply with local codes, ordinances, or National Electrical Codes.

Hire a qualified electrician or consult a do-it-yourself wiring handbook if you are unfamiliar with installing electrical wiring.

4. Make sure the installation site you choose allows the fan blades to rotate without any obstructions. Allow a minimum clearance of 7 feet from the floor and 18 inches from the tip of the blades to the wall.

5. If you are mounting the fan to a ceiling fan outlet box, use a U.L. Listed metal octagonal outlet box marked Acceptable for Fan Support. Secure the box directly to the building structure. The outlet box and its support must be able to support the moving weight of the fan (at least 50 pounds) **Do not use a plastic box.**

6. Caution: To reduce the risk of

injury use only the screws provided with the outlet box in conjunction with the lock washers provided with the fan.

7. If you are mounting the fan to a joist, make sure it is able to support the moving weight of the fan (at least 50 pounds).

8. After you install the fan, make sure that all mounting components are secured to prevent the fan from falling.

9. Do not insert anything into the fan blades while the fan is operating.

10. Turn the fan off and wait for the blades to stop completely before changing the fan direction.

NOTE: *The important safeguards and instructions appearing in this manual are not meant to cover all possible conditions and situations that may occur. It must be understood that common sense, caution and care are factors which can not be built into this product. These factors must be supplied by the person (s) installing, caring for and operating the unit.*

This Fan is suitable for Use In Wet Locations When Installed In A GFCI Protected Branch Circuit.

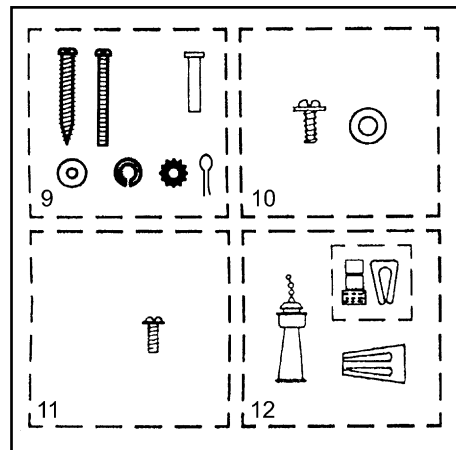
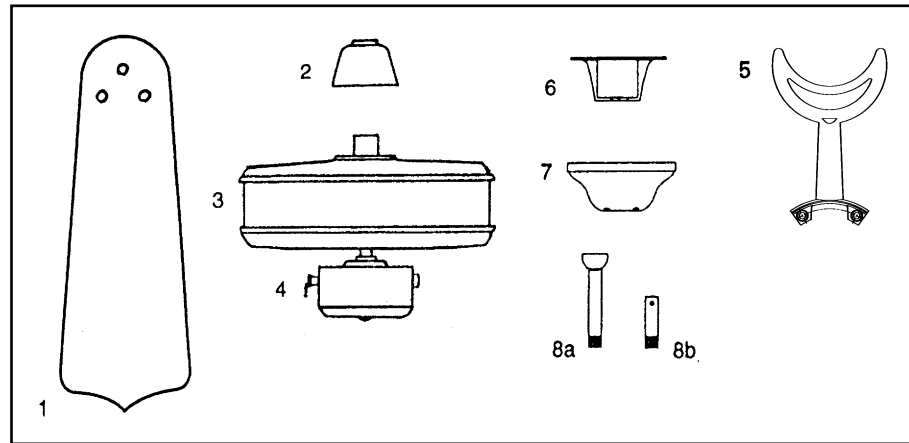
WARNING

TO REDUCE THE RISK OF FIRE, ELECTRIC SHOCK OR OTHER PERSONAL INJURY, MOUNT FAN ONLY TO A U.L. LISTED OUTLET BOX OR SUPPORTING SYSTEM MARKED ACCEPTABLE FOR FAN SUPPORT AND USE MOUNTING SCREWS PROVIDED WITH THE OUTLET BOX IN CONJUNCTION WITH THE LOCK WASHERS PROVIDED WITH THE FAN. MOST OUTLET BOXES COMMONLY USED FOR FAN SUPPORT OF LIGHTING FIXTURES ARE NOT ACCEPTABLE FOR FAN SUPPORT AND NEED TO BE REPLACED. CONSULT A QUALIFIED ELECTRICIAN IF IN DOUBT.

TO REDUCE THE RISK OF PERSONAL INJURY, DO NOT BEND THE BLADE HOLDERS WHILE INSTALLING, BALANCING THE BLADES OR CLEANING THE FAN. DO NOT INSERT FOREIGN OBJECTS BETWEEN ROTATING FAN BLADES.

TO REDUCE THE RISK OF FIRE OR ELECTRIC SHOCK, DO NOT USE THIS WITH ANY SOLID-STATE SPEED CONTROL DEVICE.

PACKAGE CONTENTS 2.



Unpack your fan and check the contents. You should have the following items:

1. Fan blade
2. Coupling cover
3. Fan motor/housing ass'y
4. Switch Cup
5. Blade bracket
6. Mounting bracket with Rubber pad attached
7. Canopy
- 8a. Standard downrod ass'y with rubber cap
- 8b. Minimum-length downrod (for close to ceiling mounting only)

9. Mounting Hardware :

- #8-32X38mm machine screws (2 pcs)
- #10-12X38mm wood screws (2 pcs)
- Spring washers (2 pcs)
- Star washers (2 pcs)
- Flat washers (2 pcs)
- Lock Pin (1pcs) & Hitch Pin (1pcs) (Pre-attached to the downrod ass'y)

10. Blade Attachment Hardware:

- 3/16X9mm screws (16 pcs)
- 5X13mm rubber washers (16 pcs)

11. Bracket Attachment Hardware:

- 1/4"X11mm screws (11 pcs)

12. Switch Cup Hardware:

- Pull Chain Fb (1pc.)
- Wire Nuts (3 pcs.)
- Balancing Kit

3. BEGIN INSTALLATION

Tools Required: Phillips screw driver; slotted screw driver; pliers; wire cutters; electrical tape.

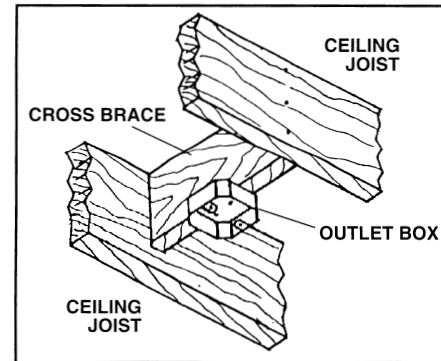


FIG. 1

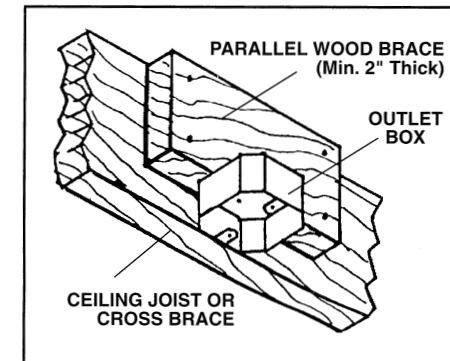


FIG. 2

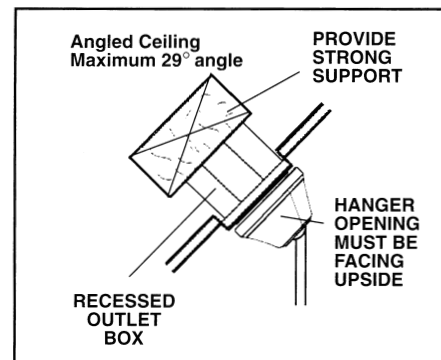


FIG. 3

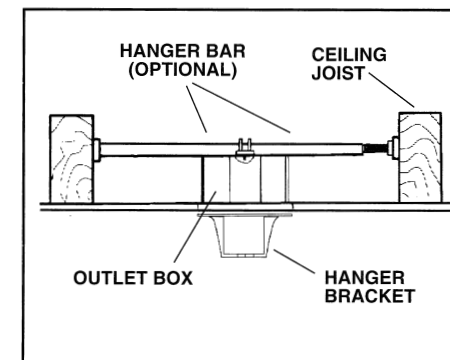


FIG. 4

MOUNTING OPTIONS

If there isn't an existing mounting box, then read the following instructions. **Shut the power off at the circuit breaker or fuse box.**

Secure the outlet box directly to the building structure. Use appropriate fasteners and building materials. The outlet box and its support must be able to fully support the moving weight of the fan (at least 50 lbs.). **Use a U.L. Listed metal outlet box marked "Acceptable for ceiling fan support". Do not use a plastic outlet box.**

Figures 1, 2 and 3 are examples of different ways to mount the outlet box.

Note: You may need a longer downrod to maintain proper blade clearance when installing on a steep, sloped ceiling. Longer downrods are available from your **Minka-Aire™** dealer.

To hang your fan where there is an existing fixture but no ceiling joist, you may need to install a hanger bar as shown in Fig. 4 (available at your **Minka-Aire™** dealer).

HANGING THE FAN 4.

REMEMBER to shut the power off at the circuit breaker or fuse box.

Step 1. Secure the hanger bracket to the ceiling outlet box using screws provided with the outlet box and flat washers included with the fan. (Fig. 5) Note: Optional wood screws are provided for mounting of hanger bracket directly to building structure.

Step 2. Loosen the two set screws in the top coupling of the top housing assembly. (Fig. 6)

Step 3. Remove downrod hanger ball by loosening set screw, removing the cross pin, and sliding ball off rod. Remove the hitch pin and lock pin. (Fig. 7)

Step 4. Carefully feed fan wires up through the downrod and then through the holes in the rubber cap on the top of the downrod. Insert the rod into the coupling and tighten onto fan until the holes are aligned. Next, replace lock pin and hitch pin. Tighten the set screws. (Fig. 8)

Step 5. Slip coupling cover, and canopy onto downrod. Let canopy rest on top of the coupling cover. Carefully reinstall hanger ball onto rod being sure that cross pin is in correct position, set screw on hanger ball is tight and wires are not twisted. (Fig. 8)

Step 6. Now lift motor assembly into position and place downrod ball into hanger bracket. Rotate until the check groove has dropped into the registration slot and seats firmly. Rod should not rotate if this is done correctly. (Fig. 9)

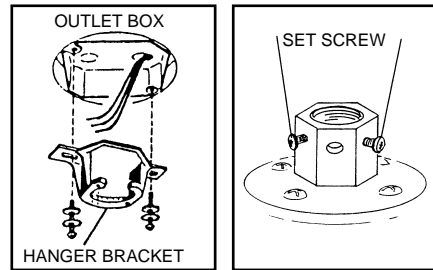


Fig.5

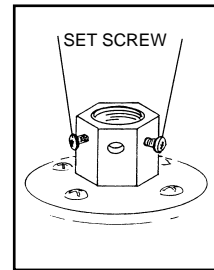


Fig.6

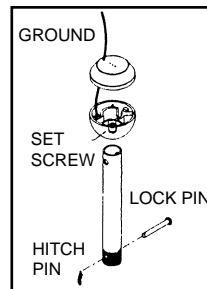


Fig.7

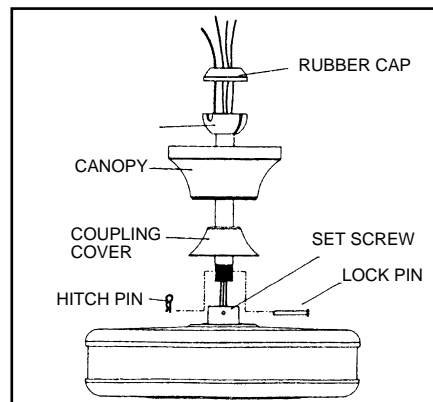


Fig.8

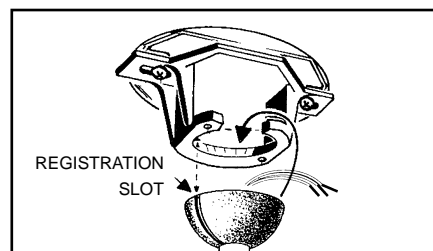


Fig.9

5. ELECTRICAL CONNECTIONS

REMEMBER to shut the power off at the circuit breaker or fuse box.

Follow the steps below to connect the fan to your house supply wires. Use the wire nuts supplied with your fan. Secure the wire nuts by wrapping the connection with electrical tape.

Step 1. Connect the black(hot)wire from the ceiling to the black and the blue wires from the fan. Connect the white(Neutral)wire from the ceiling to the white wire from the fan. (Fig 10)

Step 2. If your outlet has a ground wire(Green or Bare Copper)connect the fan ground wires (on hanger ball and hanger bracket)to it; otherwise, connect the fan ground wire on hanger ball directly to hanger bracket.

Step 3. After the splices are made, spread the wires apart so that the green and white wires are one side of the outlet box and the black wire (and the blue wire if light kit is installed)are on the other side of the outlet box. Turn splices upward and tuck them carefully into outlet box.

Figure 11 & 12 Illustrate the wiring connections using optional wall unit. (Available at your **Minka-Aire™** Retailer.)

NOTE: If a light kit is not included with your fan, one can be purchased at your **Minka-Aire™** Retailer. **Use only with light kits marked "Suitable for use in wet location."**

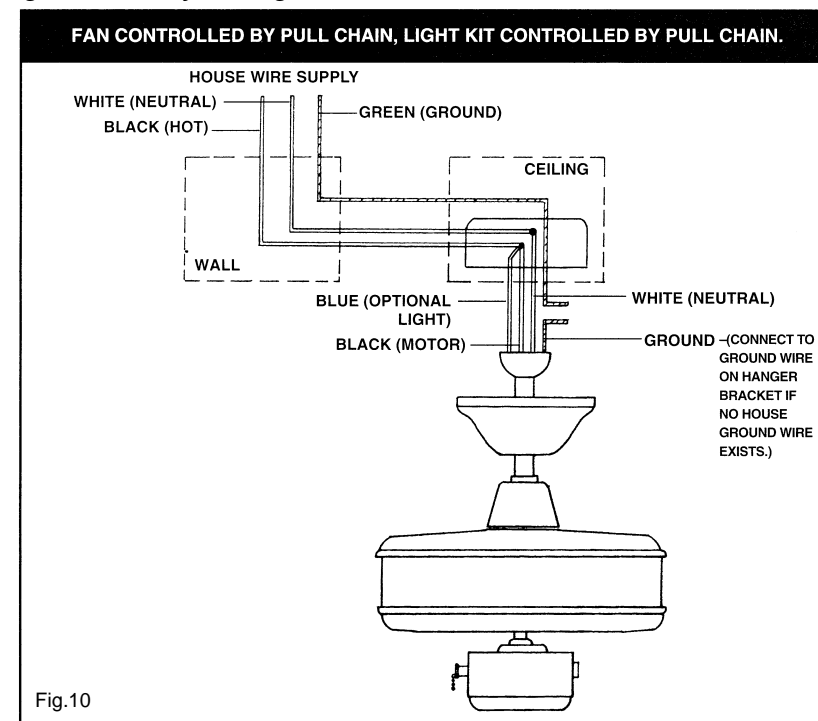
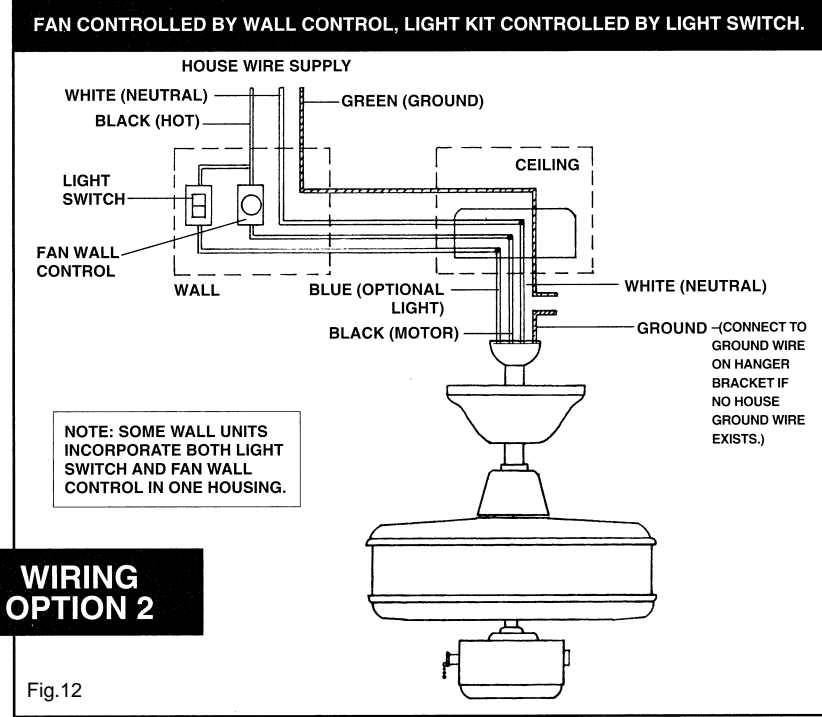
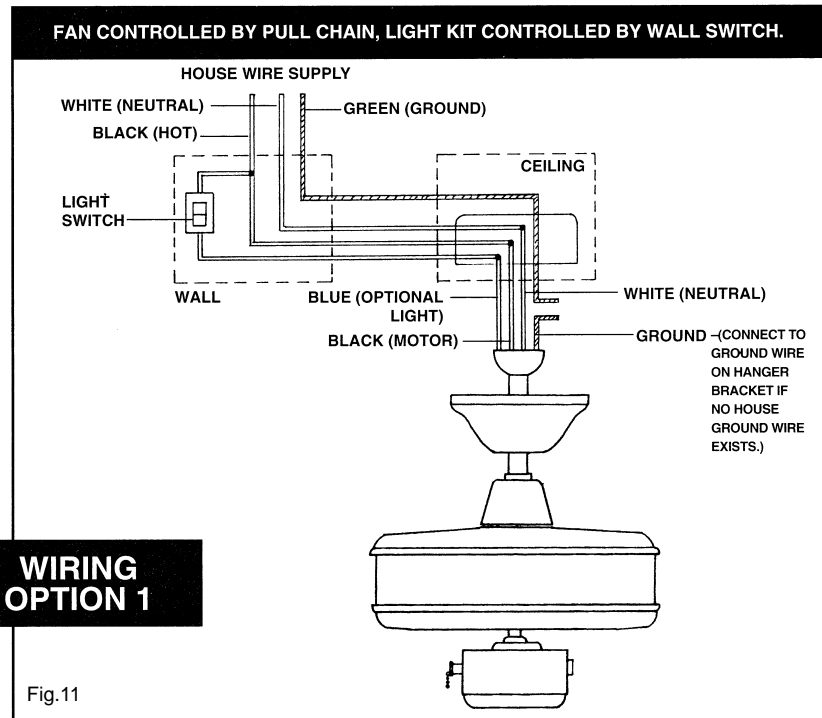
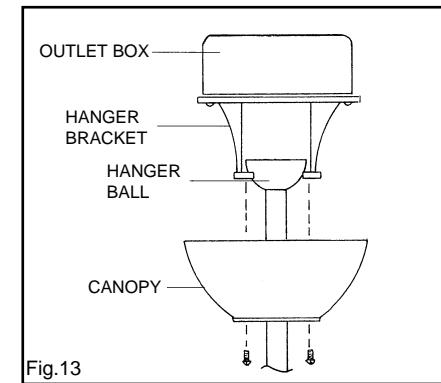


Fig.10



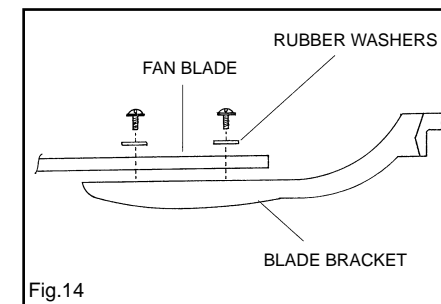
6. FINISHING THE INSTALLATION

Step 1. Slide canopy up against ceiling. Align key holes in canopy with screws on hanger bracket and rotate canopy clockwise to lock it into place. Secure canopy to hanger bracket by tightening the two screws. (Fig. 13)

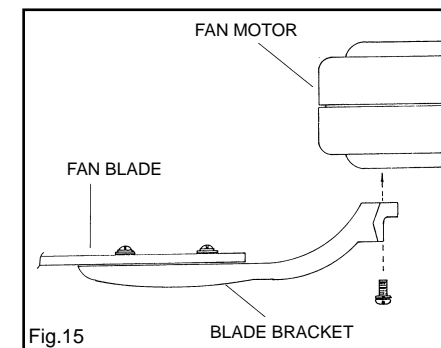


7. ATTACHING THE FAN BLADES

Step 1. Attach the fan blade to the blade bracket using rubber washer and screws provided. Tighten screws securely. Repeat for remaining blades. (Fig. 14)



Step 2. Remove and discard the rubber stops from the motor. Align holes in blade bracket and motor and secure with proper screws. Repeat process with the other blade brackets. (Fig. 15)



ATTACHING THE SWITCH CUP CAP 8.

Step 1. Remove the screws from the switch cup cap.

Step 2. Insert the cap into bottom of the switch cup by aligning slot in bottom cap with the slide switch in the switch cup and push firmly in place.

Step 3. Secure the cap to the switch cup using screws removed earlier. (Fig. 16)

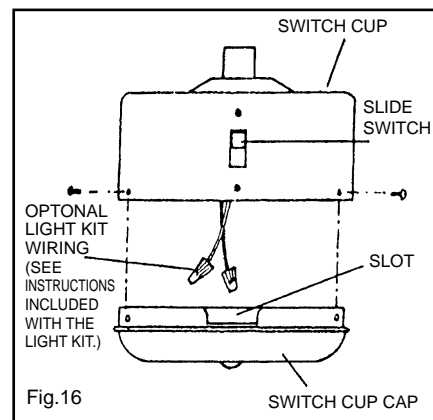


Fig.16

9. OPERATING YOUR FAN

Restore power to ceiling fan and test for proper operation.

Speed settings for warm or cool weather depend on factors such as the room size, ceiling height, number of fans, etc.

The slide switch, on the switch cup, controls the forward or reverse direction of the fan. **Down** or to the **left** is for warm weather operation. **Up** or to the **right** is for cool weather operation.

NOTE

Wait for fan to stop before changing the setting of the SLIDE SWITCH.

Warm weather- (Forward)

A downward air flow creates a cooling effect as shown in Figure 17. This allows you to set your air conditioner on a warmer setting without affecting your comfort.

Cool weather- (Reverse) An upward airflow moves warm air off the ceiling area as shown in Figure 18. This allows you to set your heating unit on a cooler setting without affecting your comfort.

The pull chain on your fan controls the speed settings as follows:

- 1st pull-Highest Speed
- 2nd pull-Medium Speed
- 3rd pull-Lowest Speed
- 4th pull-Turns Fan Off

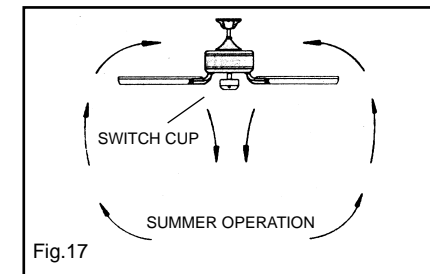


Fig.17

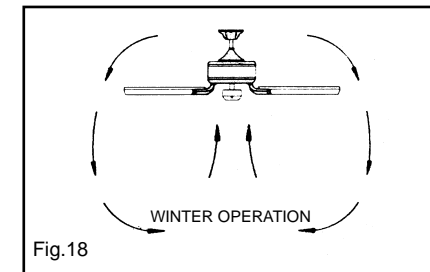


Fig.18

MAINTENANCE 10.

Here are some suggestions to help you maintain your fan.

1. Because of the fan's natural movement, some connections may become loose. Check the support connections, brackets, and blade attachemets twice a year. Make sure they are secure. **(It is not necessary to remove fan from ceiling.)**

2. Clean your fan periodically to help maintain its new appearance ovetr the years. Do not use water when cleaning. This could damage the motor, or the wood, or possibly cause an electrical shock.

3. Use only a soft brush or lint-free cloth to aviod scratching the finish. The plating is sealed with a lacquer to minimize discoloration or tarnishing.

4. You can apply a light coat of furniture polish to the wood for additional protection and enhanced beauty. Cover small scratches with a light application of shoe polish.

5. There is no need to oil your fan. The motor has permanently lubricated bearings.

6. All glass should be cleaned using lukewarm soapy water and a soft cloth or sponge. DO NOT IMMERSE GLASS IN HOT WATER.DO NOT PUT GLASS INTO AN AUTOMATIC DISHWASHER.

WARNING
Make sure the power is off at the electrical panel box before you attempt any repairs.Refer to the section, "Making Electrical Connections".

11. TROUBLESHOOTING

Symptoms

Solution

Fan Will not Start

1. Check fuses or circuit breakers.
2. Check line wire connections to fan and switch wire connections in switch housing.

CAUTION: Make sure main power is off.

Fan Sounds Noisy

1. Allow a 24-hour "break-in"period. Most noises associated with a nwe fan go away during this time.
2. Make sure all motor housing screws are snug.
3. Make sure the screws that attach the fan blade backet to the motor hub are tight.
4. Some fan motors are sensitive to signals from solid-state variable speed controls. If you have installed this type of control, choose and install another type of control.

Fan Wobble

1. Check that all blade and blade holder screws are secured.
2. Use the enclosed blade balacning kit if blade wobble is still excessive.(See instructions included with the balancing kit.)

NOTE:All blade sets are grouped by weight. Because plastic injection blades vary in density, the fan may wobble even though blades are weight matched.

12. SPECIFICATIONS

| Fan Size | Speed | Volts | AMP | Watts | RPM | CFM | N.W. | G.W. | V |
|----------|-------|-------|------|-------|-----|------|----------|----------|-------|
| 52" | Low | 120 | 0.23 | 11.1 | 77 | 2300 | | | |
| | Med | 120 | 0.36 | 28.2 | 130 | 4150 | 15.84LBS | 19.14LBS | 1.99' |
| | High | 120 | 0.49 | 57.9 | 189 | 5800 | | | |

These are typical readings. Your actual fan may vary. They do not included amps or wattage used by the light kit.

For any additional information about your Minka-Aire™ Ceiling Fan, please write to:



1151 W. Bradford Court
Corona, CA 92882

For customer assistance call: 1-800-307-3267

MKA3011402