

Mirabelle®

## UNDERMOUNT LAVATORY

---

Dimensions: 18-11/16" x 12-3/16" (interior)

Dimensions: 21-1/16" x 14-9/16" (exterior)

**Product Codes:**

MIRU1812WH (white)

MIRU1812BS (biscuit)

- Vitreous china with overflow
- Cutout template included
- Installation, operating, care and maintenance instructions included
- 1 year limited warranty
- Meets ASME Standard: A112.19.2M
- cUPC/IAPMO listed
- 6-5/16" internal basin depth
- 5-1/4" Basin depth to overflow



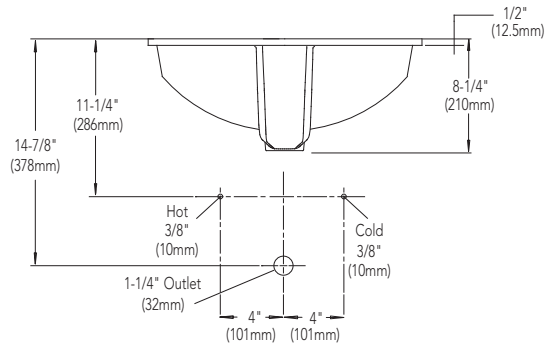
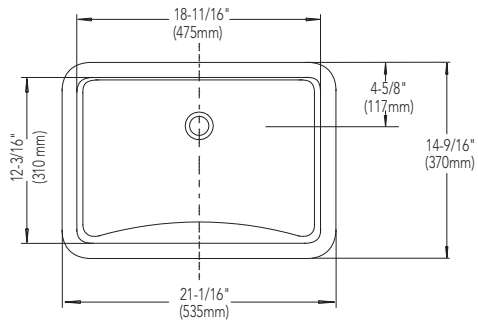
# Mirabelle®

## UNDERMOUNT LAVATORY

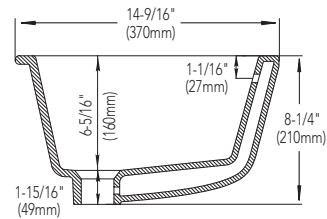
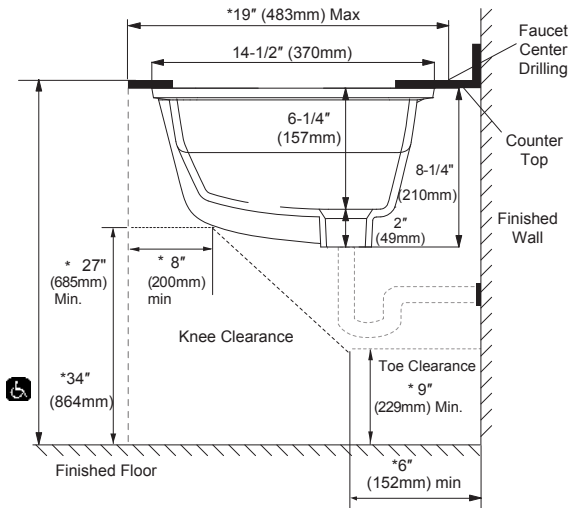
### Product Codes:

MIRU1812WH (white)

MIRU1812BS (biscuit)



### ADA Installation



\* This sink is designed to comply with ADA ANSI A117.1 standard when installed in accordance with this measurement. Dimensions of fixtures are nominal and may vary within the range of tolerances established by ANSI standard A112.19.2. These measurements are subject to change or cancellation. No responsibility is assumed for use of superseded or voided pages.