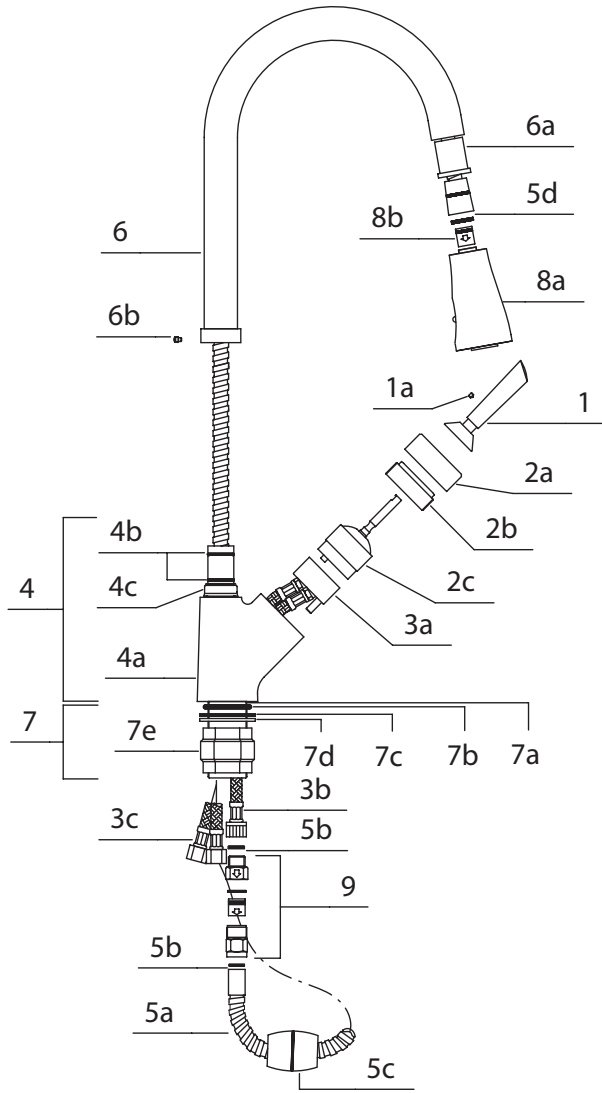


Mirabelle™

MIRXAL100



**PART LIST**

Laver Assy	1
Screw	1A
Cap	2A
Nut	2B
Cartridge	2C
Insert	3A
Supply Tube	3B
Hose	3C
Body Assy	4
Body	4A
O' Ring	4B
Plastic Ring	4C
Hose	5A
Fiber	5B
Weight	5C
Washer Screen	5D
Spout Assy	6
Plastic Insert	6A
Screw	6B
Mounting Nut Assy	7
Sleeve	7A
O' Ring	7B
Rubber Washer	7C
Metal Washer	7D
Nut	7E
Pull-Down Spray	8A
Check Valve	8B
Check Valve Set	9

**LISTE DES PIÈCES**

Ensemble de levier	1
Vis	1A
Capuchon	2A
Ecrou	2B
Cartouche	2C
Insertion	3A
Tuyau d'alimentation	3B
Tuyau flexible	3C
Ensemble de corps	4
Corps	4A
Joint torique	4B
Anneau en plastique	4C
Tuyau flexible	5A
Fibre	5B
Poids	5C
Rondelle	5D
Ensemble de bec	6
Insertion en plastique	6A
Vis	6B
Ensemble d'ecrous de fixation	7
Manchon	7A
Joint torique	7B
Rondelle de caoutchouc	7C
Rondelle de metalique	7D
Ecrou	7E
Douchette retractable	8A
Clapet de non-retour	8B
Clapet de non-retour	9

**LISTE DES PIÈCES**

Conjunto de la palanca	1
Tornillo	1A
Tapa	2A
Tuerca	2B
Cartucho	2C
Engaste	3A
Tubo de suministro	3B
Manguera	3C
Conjunto del cuerpo	4
Cuerpo	4A
Junta torica	4B
Anillo de plastico	4C
Manguera	5A
Fibre	5B
Pesa	5C
Tamiz de la arandela	5D
Conjunto del tubo de salida	6
Engaste de plastico	6A
Tornillo	6B
Conjunto de la tuerca de montaje	7
Casquillo	7A
Junta torica	7B
Arandela de goma	7C
Arandela metalica	7D
Tuerca	7E
Rociador suplementario	8A
Valvula de retencion	8B
Juego de válvulas de retención	9

**Warranty and Codes**

All Mirabelle faucets have a lifetime limited warranty and meet the following standards:

ANSI: A112.18.1M; NSF/ANSI Std. 61 compliant; cUPC/IAPMO listed. Installation, operating, care and maintenance instructions are included.