



Buy it for looks. Buy it for life.®

# Specifications

## DESCRIPTION

- Metal construction with a chrome plated or LifeShine® polished brass finish
- Single handle, pressure balancing, four port, cycle valve with integral check stops and adjustable temperature limit stop
- 1/2" CC connections

## OPERATION

- Knob style handle, Pull-on push-off design
- Temperature operates through an 180° arc of handle travel (full cold to full hot)
- Adjustable temperature limit stop to control maximum hot water temperature
- Pressure balancing mechanism maintains selected discharge temperature to  $\pm 2^\circ$ .

## CARTRIDGE

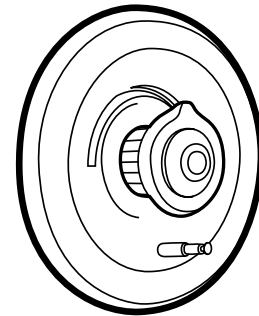
- 1225 cartridge design
- Accommodates back to back installations
- Nonmetallic/nonferrous and stainless steel material

## STANDARDS

- Third party certified to: CSA B-125, ASME, A112.18.1M and all applicable requirements referenced therein

## WARRANTY

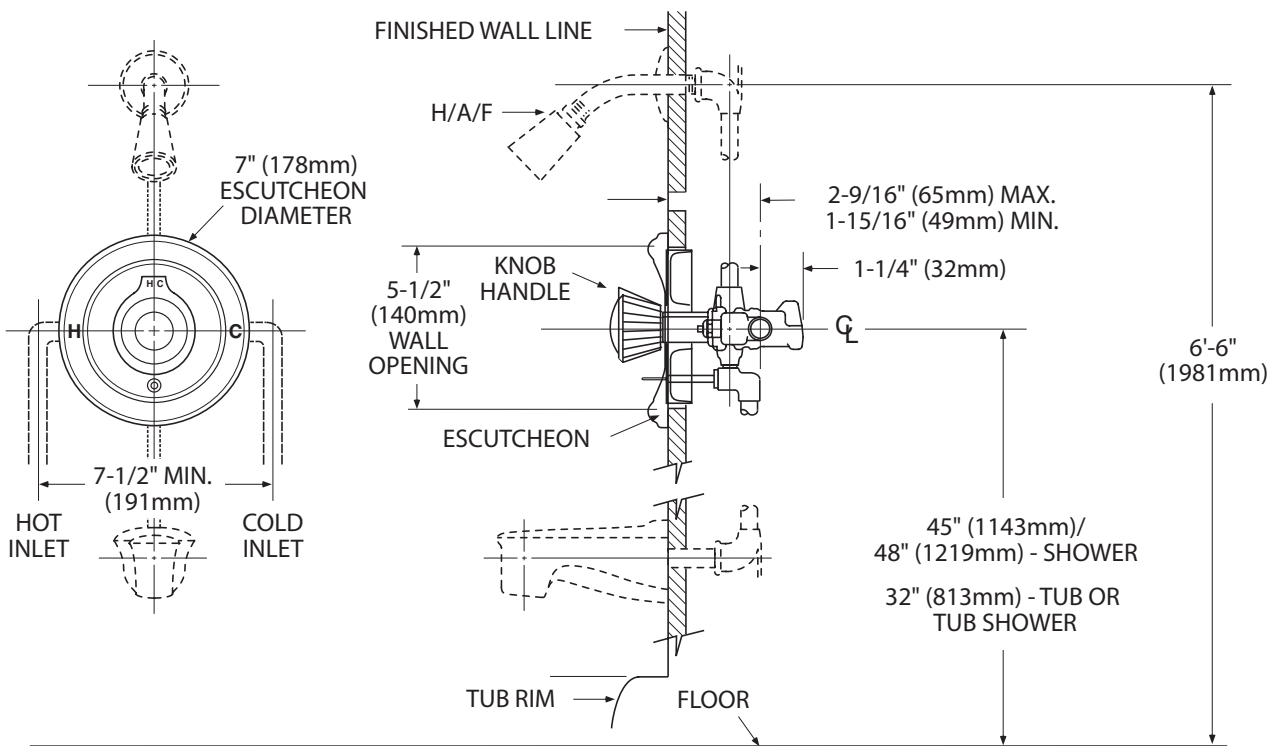
- Lifetime limited warranty against leaks, drips and finish defects to the original consumer purchaser
- 5 year warranty if used in commercial installations



## LEGEND® MOENTROL® Single-Handle Tub/Shower Valve Only

Models: 3270, \*3270P

**\*Model Discontinued 2/1/2000**



## CRITICAL DIMENSIONS

(DO NOT SCALE)

FOR MORE INFORMATION CALL: 1-800-BUY-MOEN

www.moen.com