



Buy it for looks. Buy it for life.®

Specifications

DESCRIPTION

- Various finishes identified by suffix
- Handshower
- 69" double interlock spiral hose (metal)
- Double check valve in handle
- Adjustable wall bracket

OPERATION

- Single function
- Wall bracket rotates to adjust angle of handshower

FLOW

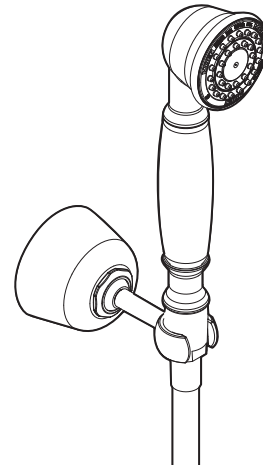
- Designed to deliver 2.5 gpm (9.5 L/min) at 80 psi
- EP suffix models are limited to 2.0 gpm (7.6 L/min) at 80 psi

STANDARDS

- Designed and manufactured to comply with the applicable requirements of ASME A112.18.1/CSA B-125.1, ASSE 1014 and all applicable specifications referenced therein

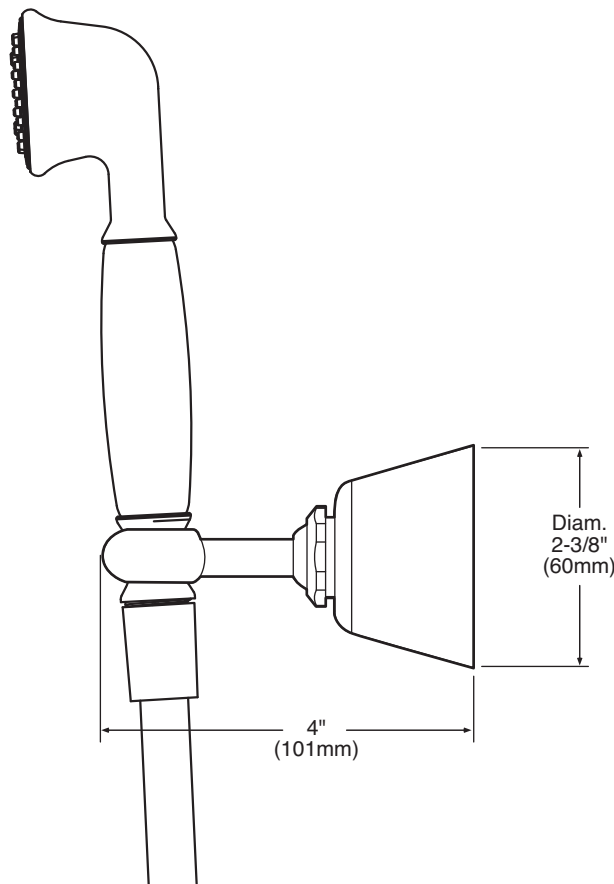
WARRANTY

- limited lifetime warranty against material or manufacturing defects



**Handshower
with Bracket & Hose**

Models: 3861 series



CRITICAL DIMENSIONS

(DO NOT SCALE)