



Buy it for looks. Buy it for life.®

Specifications

DESCRIPTION

- Metal construction
- Designed to be installed on decks up to 1-7/8" (48mm)

OPERATION

- Rotate hot side handle counterclockwise to open (clockwise to close) and the cold side handle clockwise to open (counterclockwise to close)

FLOW


- Designed to deliver 19 gpm at 45 psi. (72L/min)

CARTRIDGE

- Nonmetallic and stainless steel materials

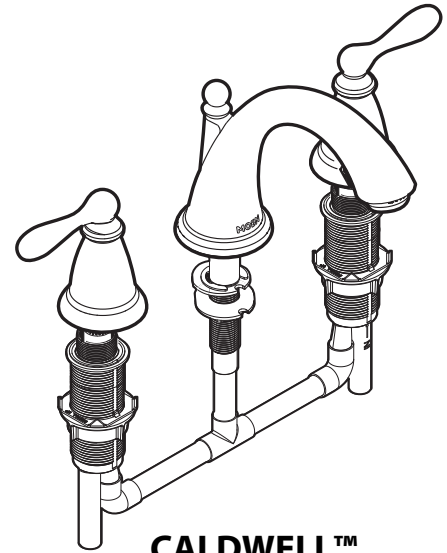
STANDARDS

- Designed and manufactured to comply with the applicable requirements of: ASME A112.18.1/CSA B-125.1 and all applicable requirements referenced therein

- **ADA**  for lever handles

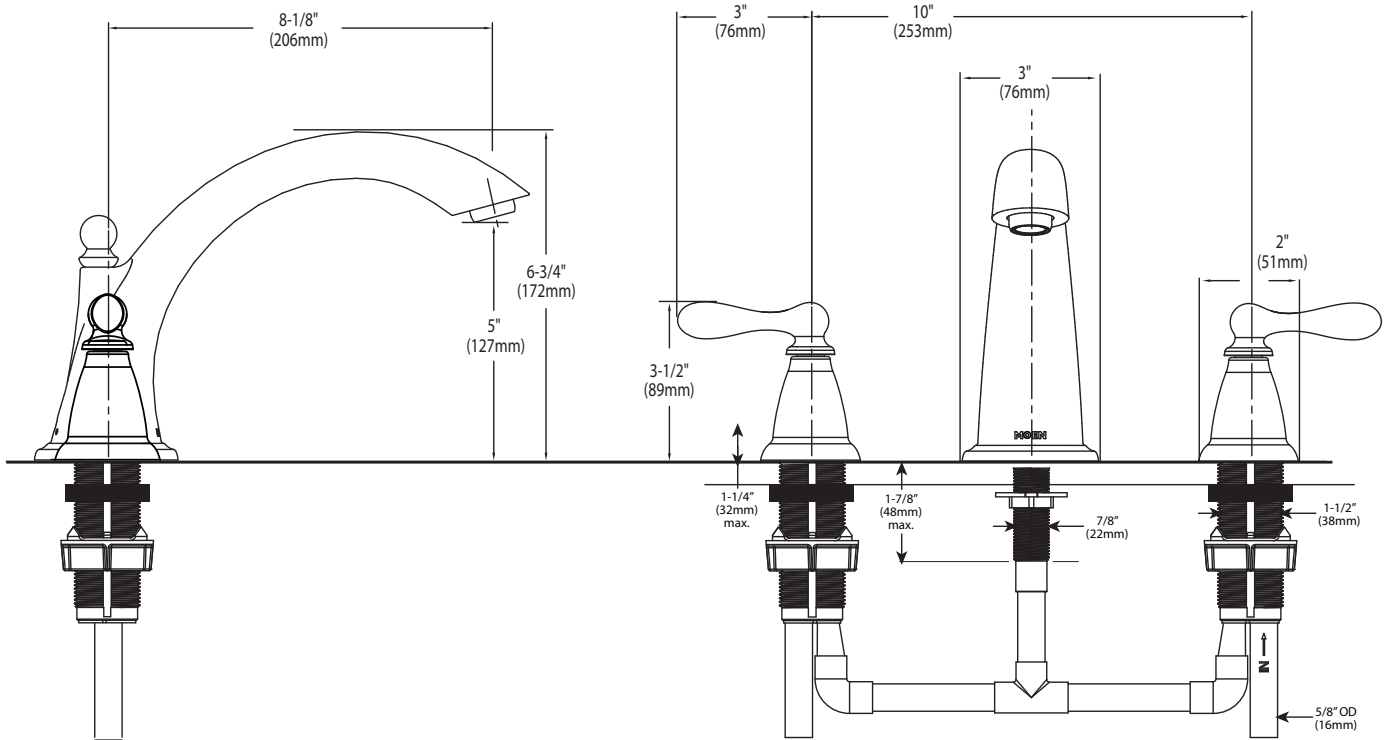
WARRANTY

- Lifetime limited warranty against leaks, drips and finish defects to the original consumer purchaser
- 5 year warranty if used in commercial installations



CALDWELL™
Two-Handle Roman Tub Faucet Trim

Models: 86440 series



CRITICAL DIMENSIONS

(DO NOT SCALE)