

## FAUCET DESCRIPTION

- Chrome plated solid brass body
- Gooseneck single mount faucet
- 5.75" x 6" x 10.25" gooseneck included

## OPERATION

- Adjustable infrared sensor (range, turn off delay and obstruction delay)
- Temperature controlled by mixing valve or mixing tee (optional)
- Battery powered (AC optional)


## FLOW

- Supplied with vandal resistant 0.5 gpm (1.9 L/min) aerator (with key)

## VALVES

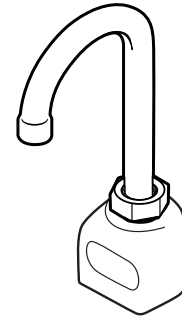
- In-line filter included
- Slow close solenoid valve

## STANDARDS

- Third party certified to CSA B-125.1/ASME A112.18.1, and all applicable specifications referenced therein
- Contains no more than 0.25% weighted average lead content
- Complies with California Proposition 65 and with the Federal Safe Drinking Water Act
- ADA  compliant

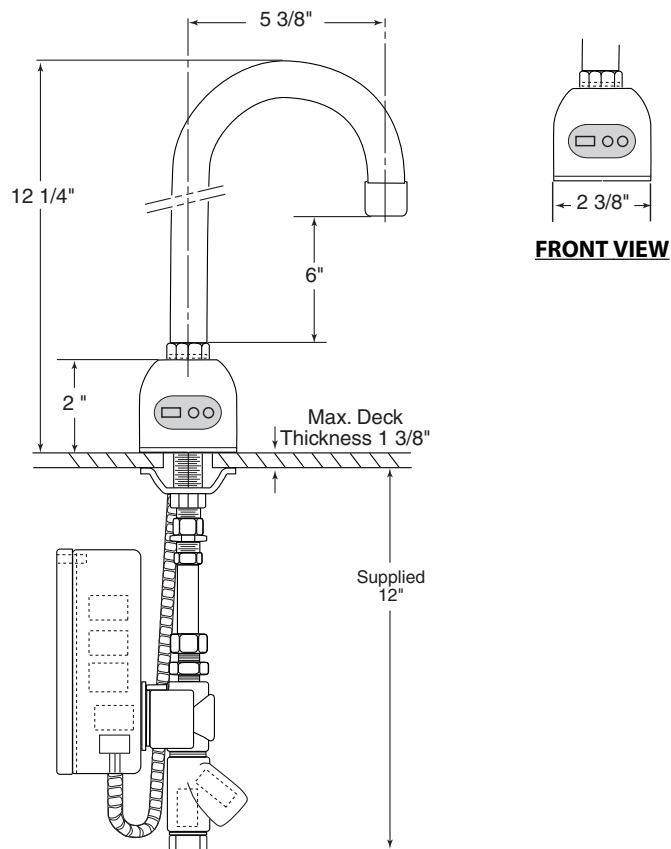
## WARRANTY

- Warranted for 5 years against material or manufacturer defects.



**Single Deck-Mount, Gooseneck, Non-Mixing, Battery Powered Electronic Faucet**

**Model: CA8303**



## CRITICAL DIMENSIONS

(DO NOT SCALE)