



Buy it for looks. Buy it for life.®

# Specifications

## FAUCET DESCRIPTION

- Metal construction with various finishes identified by suffix
- Inlet shanks will accept 3/8" ball nose connections
- With Protégé® side spray

## OPERATION

- Lever style handle
- Will operate with less than 5 lbs. of force

## FLOW


- Tap water: 2.2 gpm max (8.3 L/min)

## CARTRIDGE

- 1224 cartridge design
- Nonmetallic/nonferrous and stainless steel material

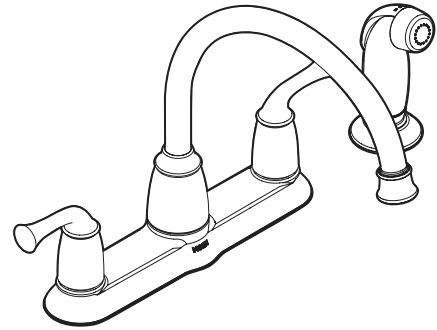
## STANDARDS

- Third party certified to CSA B-125.1, ASME A112.18.1, ICC A117.1 and all applicable requirements referenced therein
- Certified to ANSI/NSF 61/9
- Contains no more than 0.25% weighted average lead content
- Complies with California Proposition 65 and with the Federal Safe Drinking Water Act

- **ADA**  for lever handles

## WARRANTY

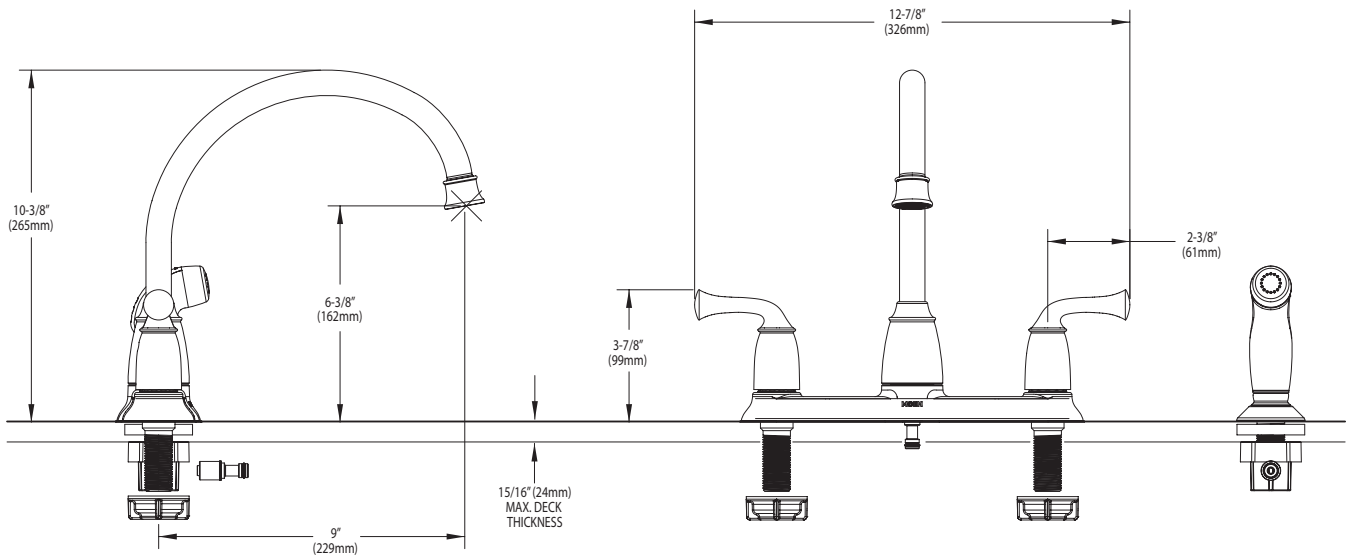
- Lifetime limited warranty against leaks, drips and finish defects to the original consumer purchaser
- 5 year warranty if used in commercial installations



## Banbury® Two Handle Lever Kitchen Faucet with Protégé® Side Spray

Models: CA87553 series

**NOTE:** DESIGNED TO INSTALL THROUGH 3 HOLES  
1-1/4" (32mm) MIN. DIA. AND 8" ON CENTER



## CRITICAL DIMENSIONS

(DO NOT SCALE)