

DESCRIPTION

- Metal construction with LifeShine® brushed nickel finish
- For installations from 6" (152mm) to 16" (406mm) centers
- 1/2" IPS connections will accept standard ball nose connection for 3/8" tubing
- Diverter valve includes an integral vacuum breaker
- Includes valve

OPERATION

- Lever style handles, 180° rotation
- Rotate hot side handle counterclockwise to open and clockwise to close
- Rotate cold side handle clockwise to open and counterclockwise to close
- Water flow is diverted by turning the knob counterclockwise for fill and clockwise for rosetta spray

CARTRIDGE

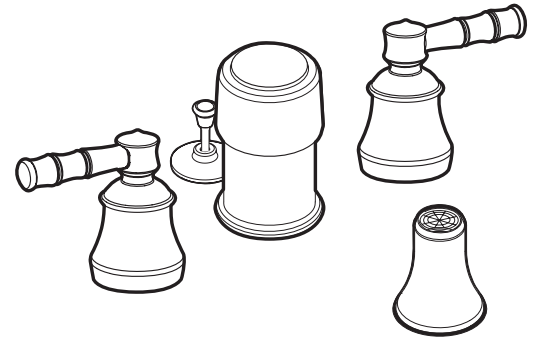
- 94831 diverter cartridge
- 1224 cartridge design with nonmetallic/nonferrous and stainless steel material

STANDARDS

- Third party certified to CSA B125, ASME A112.18.1M, and all applicable requirements referenced therein

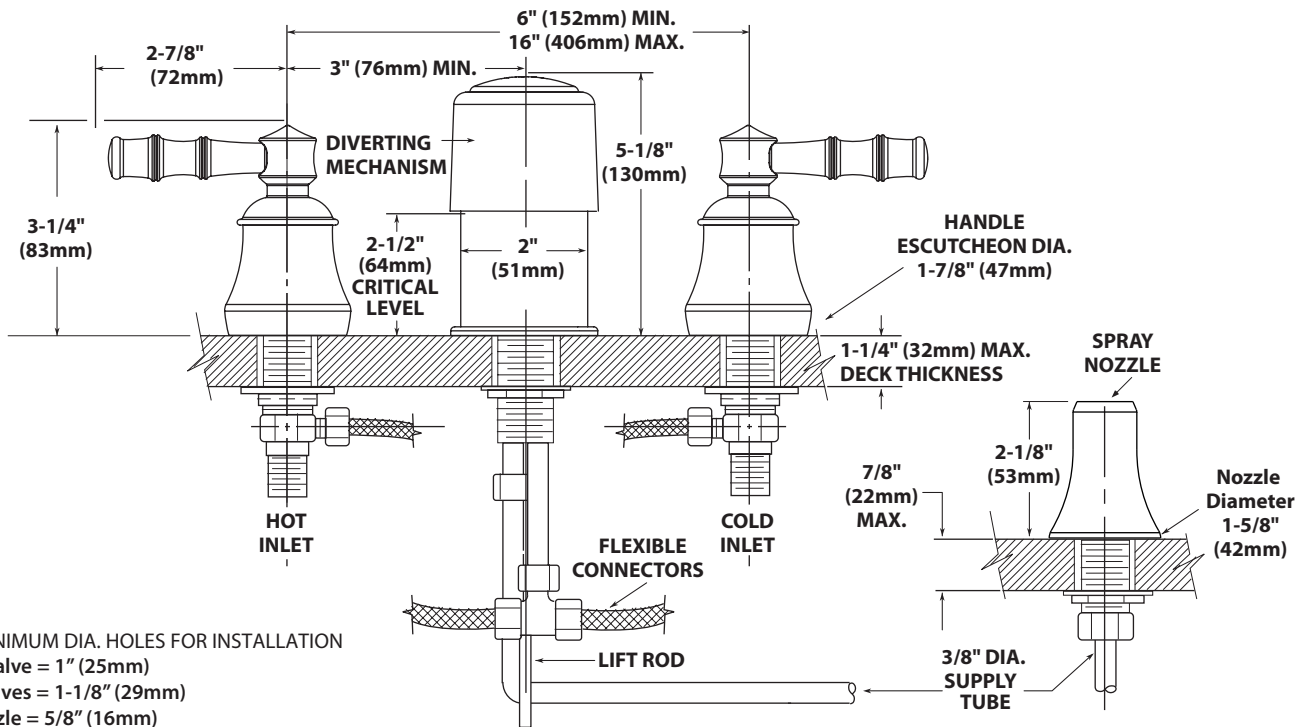
WARRANTY

- Lifetime limited warranty against leaks, drips and finish defects to the original consumer purchaser
- 5 year warranty if used in commercial installations



Bamboo™
Two-Handle Bidet Faucet
Model: S8815BN

NOTE: Cannot be used with Non Rim Flush Bidet Fixtures



NOTE: MINIMUM DIA. HOLES FOR INSTALLATION
 Diverter Valve = 1" (25mm)
 Handle Valves = 1-1/8" (29mm)
 Spray Nozzle = 5/8" (16mm)
 Lift Rod Escutcheon = 1/2" (13mm)

CRITICAL DIMENSIONS
(DO NOT SCALE)