

## DESCRIPTION

- Metal construction with chrome plated or wrought iron finishes or LifeShine® polished brass, brushed nickel finishes
- Includes adjustable showerhead, arm, flange and divertor spout

## OPERATION

- Handle operates counterclockwise through a 270° arc with off at 6 o'clock and maximum hot at the 9 o'clock position. Shut off in clockwise direction
- Adjustable temperature limit stop to control maximum hot water temperature
- Pressure balancing mechanism maintains selected discharge temperature to ± 2°

## FLOW

- Showerhead is limited to 2.5 gpm (9.5 L/min)

## CARTRIDGE

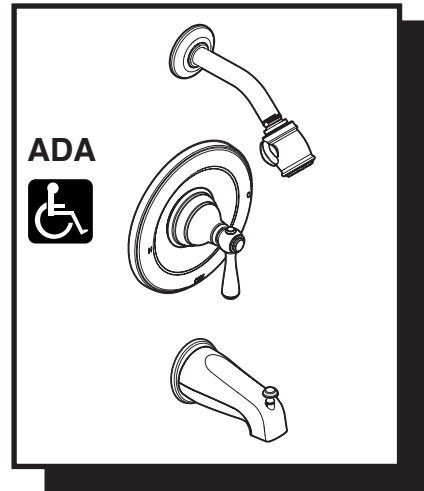
- 1222 cartridge design
- Nonmetallic/nonferrous and stainless steel materials
- Accommodates back to back installations

## STANDARDS

- Third party certified by CSA to meet CSA B-125, ASME A112.18.1M and all applicable requirements referenced therein and complies with the applicable requirements of ANSI A117.1

## WARRANTY

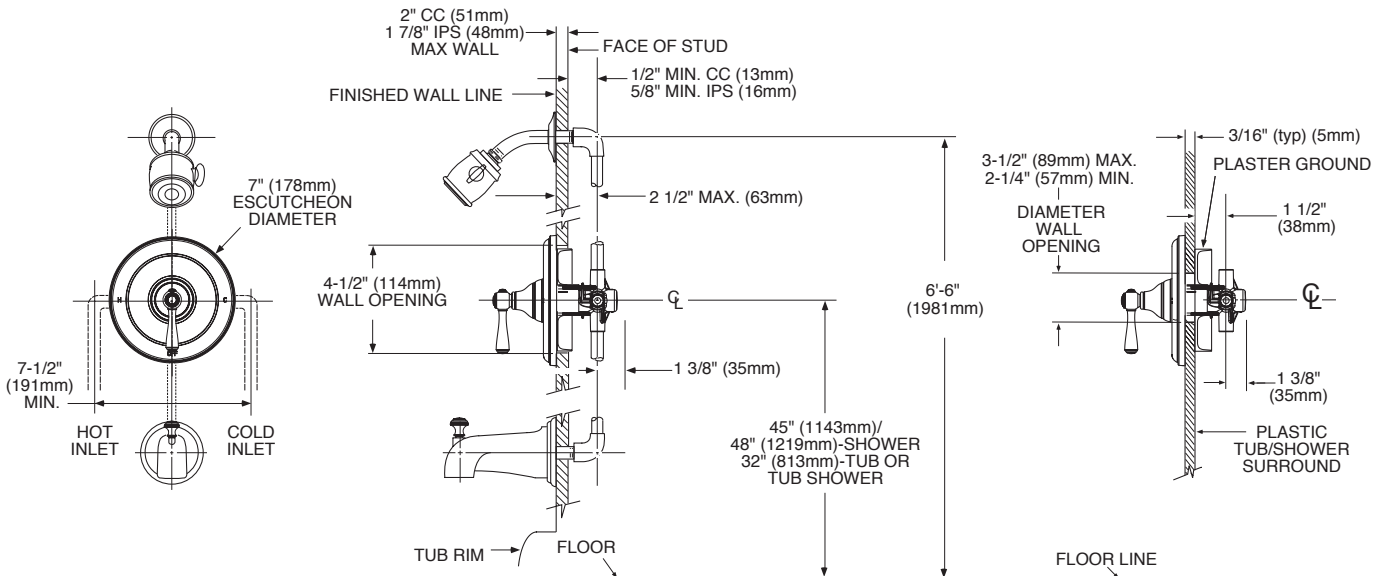
- Lifetime limited warranty against leaks, drips and finish defects to the original consumer purchaser
- 5 year warranty if used in commercial installations



## KINGSLEY™ POSI-TEMP® Single-Handle Tub/Shower (Trim Only)

**Models: T2113, T2113CP,  
T2113P, T2113BN, T2113WR**

**NOTE: See reverse side for illustrated  
parts and optional handle inserts**



### THICK WALL APPLICATION

### THIN WALL APPLICATION

## CRITICAL DIMENSIONS

(DO NOT SCALE)



ADA symbol applies to shower valve control only.