



Buy it for looks. Buy it for life.®

Specifications

DESCRIPTION

- Hydrolock™ quick connect system
- Metal construction with various finishes identified by suffix
- 1/2" IPS connections
- Includes metal pop-up type waste assembly on 4000 series models
- Includes 50/50 pop-up type waste assembly on 80000 series models

OPERATION

- Lever style handles (less handle inserts)
- Hot side counterclockwise to open (clockwise to close)
- Cold side clockwise to open (counterclockwise to close)
- Includes hot (red) and cold (blue) color indicators


FLOW

- Flow is limited to 1.5 gpm max (5.7L/min) at 60 psi, for products made before October 2008 flow is limited to 2.2 gpm max (8.3 L/min)

CARTRIDGE

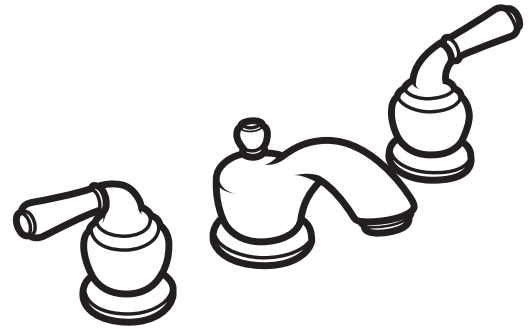
- 1224 cartridge design
- Nonmetallic and stainless steel material

STANDARDS

- Third party certified to meet WaterSense®, CSA B125.1, ASME A112.18.1, ICC A117.1 and all applicable requirements referenced therein
- Certified to ANSI/NSF 61/9
- Complies with California Proposition 65 and with the Federal Safe Water Drinking Act
- **ADA**  for lever handle

WARRANTY

- Lifetime limited warranty against leaks, drips and finish defects to the original consumer purchaser
- 5 year warranty if used in commercial installations



MONTICELLO® INSPIRATIONS™
Two-Handle Widespread Lavatory Faucet
 (Less Handle Inserts on 4000 series models)
 (Handle Inserts included on 80000 series models)

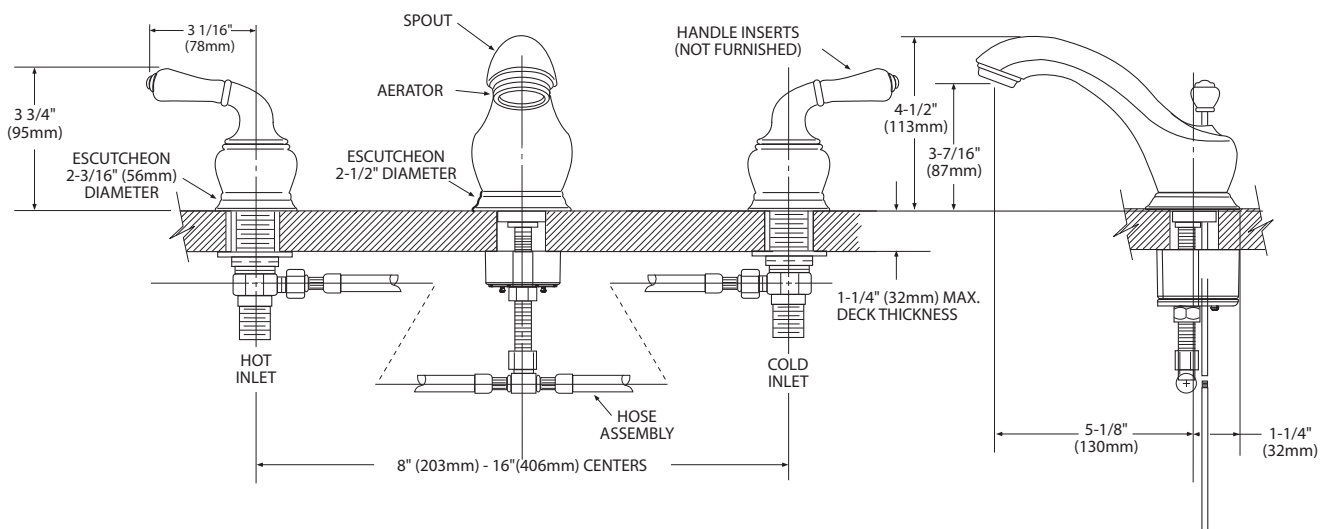
Models: T4570 series

Retail: 84240 series, 84246 series

Valve: 9000, 69000

NOTE: FOR DECK THICKNESS 1-3/8" - 3", USE SERVICE KIT # 115001. VALVES INSTALL THROUGH 1-1/4" DIA. HOLE.

NOTE: SPOUT INSTALLS THROUGH 1-1/8" MIN. DIA. HOLE. VALVES INSTALL THROUGH 1-1/8" MIN. DIA. HOLE



CRITICAL DIMENSIONS

(DO NOT SCALE)