

DESCRIPTION

- Metal construction with a chrome plated, LifeShine® polished brass, glacier, Platinum, Black Opal™, Classic Gold, Satine™ or Nickel finish
- For installations from 8" (203mm) to 10" (254mm) centers
- Designed to be installed on decks up to 2-1/8" (54mm)
- The tub fill spout is a slip fit design and the supplies are 1/2" type K, copper tubing

OPERATION

- Shown here with lever style handles, can be installed with any Moen Deck Mounted Roman Tub Trim Kit
- Rotate hot side handle counterclockwise to open (clockwise to close) and the cold side handle (clockwise to open) and (counterclockwise to close)

FLOW

- Designed to deliver 18 gpm at 40 psi.

CARTRIDGE

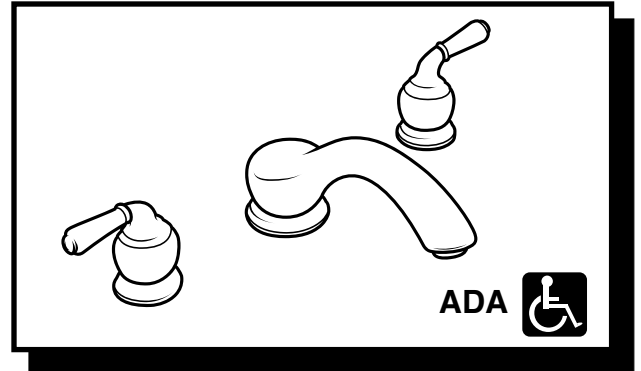
- Nonmetallic and stainless steel materials

STANDARDS

- Designed and manufactured to comply with the applicable requirements of: CSA B-125 and ASME A112.18.1M and all applicable requirements referenced therein and complies with the applicable requirements of ANSI A117.1

WARRANTY

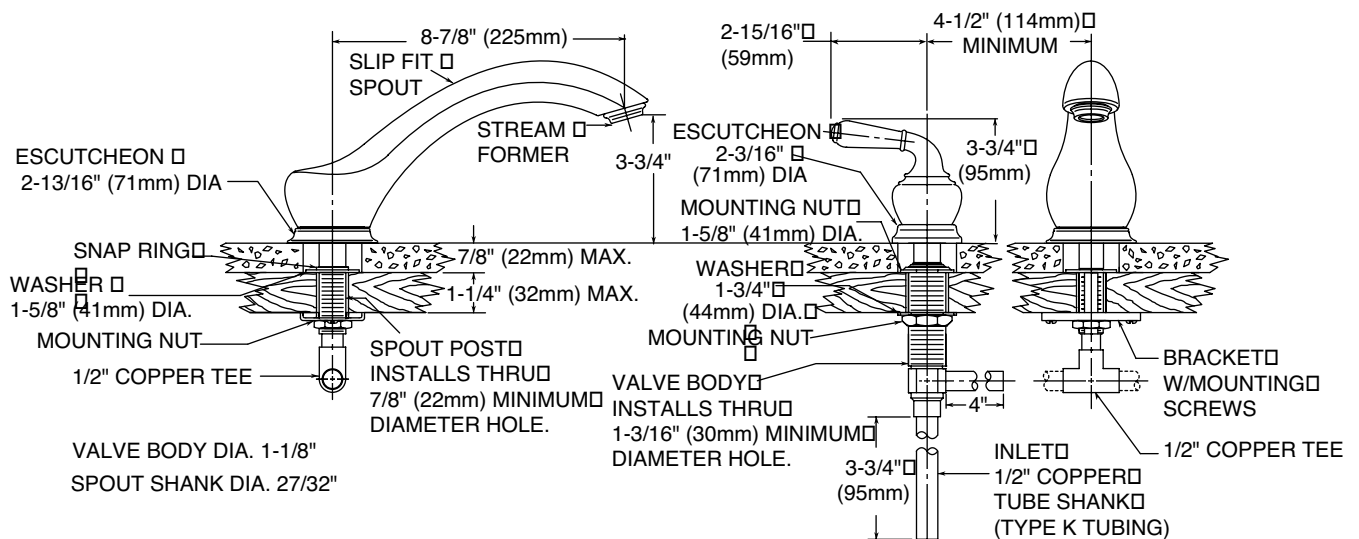
- Lifetime limited warranty against leaks, drips and finish defects to the original consumer purchaser
- 5 year warranty if used in commercial installations



MONTICELLO® INSPIRATIONS™
Roman Tub Trim Only

Models: RT950/AT950, RT950P/AT950P, RT950PM/AT950PM, RT950BP/AT950BP, RT950CG/AT950CG, RT950ST/AT950ST, T951, T951CP, T951CPC, T951P, T951PM, T951PMC, T951ST, T951STP, T951W, 86950, 86950CP, 86950P, 86950PM, 86950ST, 86951PM, 86951ST

NOTE: See reverse side for illustrated parts and optional handle inserts



NOTE: THE INSTALLATION SHOWN IS FOR TILE DECKS, THIS VALVE WILL ALSO FIT STEEL, CAST IRON OR PLASTIC DECKS

CRITICAL DIMENSIONS

(DO NOT SCALE)