

DESCRIPTION

- Metal construction with chrome plated or wrought iron finishes or LifeShine® polished brass, brushed nickel finishes
- For installations from 8" (203mm) to 10" (254mm) centers
- Designed to be installed on decks up to 2-1/8" (54mm)
- The tub fill spout is a slip fit design and the supplies are 1/2" type K, copper tubing
- Includes hot and cold temperature indicators

OPERATION

- Lever style handles
- Rotate hot side handle counterclockwise to open (clockwise to close) and the cold side handle (clockwise to open) and (counterclockwise to close)

FLOW

- Designed to deliver 18 gpm at 40 psi (68L/min)

CARTRIDGE

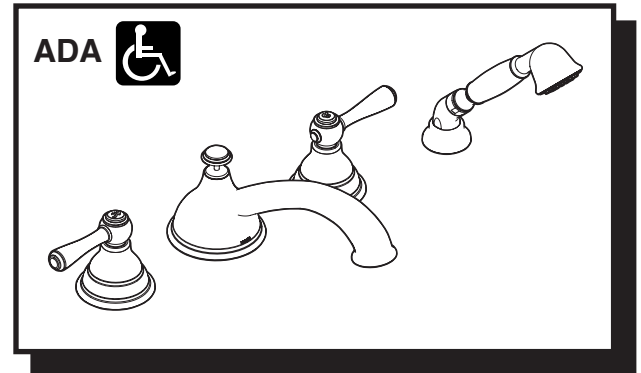
- 1248 cartridge design

STANDARDS

- Third party certified to meet CSA B-125, ASME A112.18.1M, ANSI A117.1 and all applicable requirements referenced therein

WARRANTY

- Lifetime limited warranty against leaks, drips and finish defects to the original consumer purchaser
- 5 year warranty if used in commercial installations

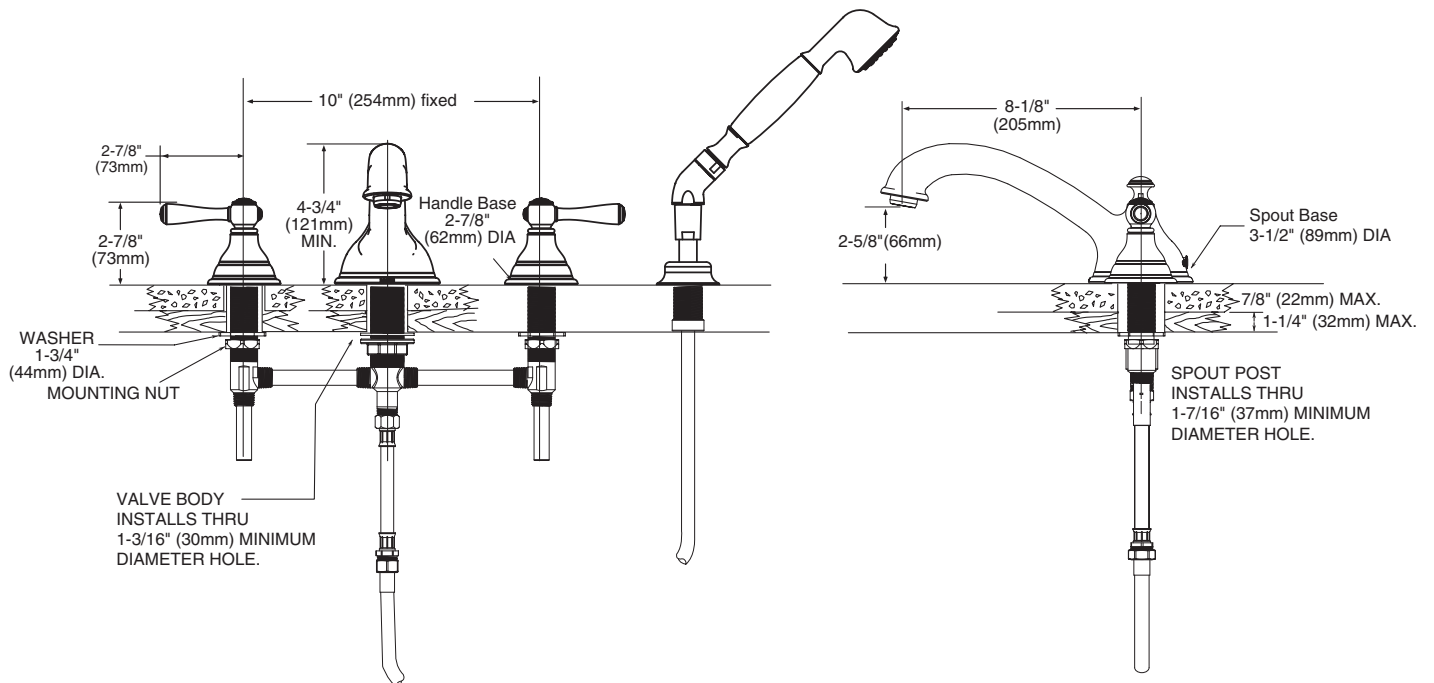


KINGSLEY™ DECK MOUNT Two-Handle Roman Tub Faucet w/Built In Diverter Valve

Models: T912, T912BN, T912CP, T912P,
T912WR

Valve: 9997, 9999

**NOTE: See reverse side for
illustrated parts and optional
handle inserts**



NOTE: THE INSTALLATION SHOWN IS FOR TILE DECKS, THIS VALVE WILL ALSO FIT STEEL, CAST IRON OR PLASTIC DECKS

CRITICAL DIMENSIONS

(DO NOT SCALE)