



Buy it for looks. Buy it for life.®

# Specifications

## DESCRIPTION

- Metal construction with chrome plated finish
- Pressure balancing valve design with integral check stops
- Supplied with adjustable temperature limit stop
- Includes showerhead, arm and flange

## OPERATION

- Pivot action lever style handle
- Temperature operates through an 180° arc of handle travel (full cold to full hot)
- Pressure balancing mechanism maintains selected discharge temperature to  $\pm 3^\circ$

## FLOW

- Showerhead is limited to 2.5 gpm (9.5 L/min) Max

## CARTRIDGE

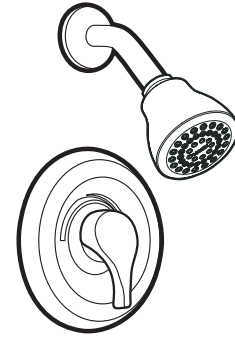
- 1225 cartridge design
- Nonmetallic/nonferrous and stainless steel materials
- Accommodates back to back installations

## STANDARDS

- Third party certified to meet CSA B-125, ASSE 1016, ASME A112.18.1M, ANSI A117.1 and all applicable requirement referenced therein.

## WARRANTY

- Lifetime limited warranty against leaks, drips and finish defects to the original consumer purchaser
- 5 year warranty if used in commercial installations

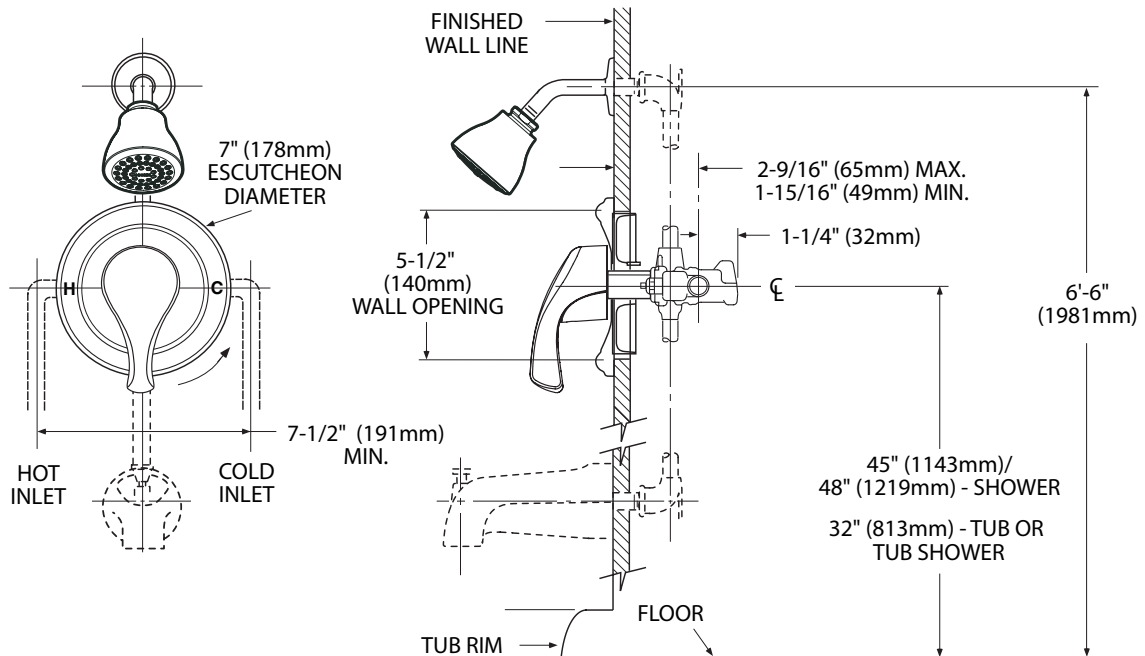


ADA



**LEGEND® MOENTROL®**  
**Single-Handle Shower Trim Kit**

**Model: TL171**  
**(Bulk Packed 12 Per Carton)**



## CRITICAL DIMENSIONS

(DO NOT SCALE)