

## DESCRIPTION

- Metal construction with chrome plating, chrome with LifeShine® polished brass accents, LifeShine® polished brass, platinum or glacier finish

## OPERATION

- Lever style handle
- Handle operates counterclockwise through a 270° arc with off at 6 o'clock and maximum hot at the 9 o'clock position. Shut off in clockwise direction
- Adjustable temperature limit stop to control maximum hot water temperature
- Pressure balancing mechanism maintains selected discharge temperature to  $\pm 2^\circ$

## FLOW

- Showerhead is limited to 2.5 gpm (9.5 L/min)

## CARTRIDGE

- 1222 cartridge design
- Nonmetallic/nonferrous and stainless steel materials
- Accommodates back to back installations

## STANDARDS

- Third party certified by CSA to meet CSA B-125, ASME A112.18.1M and all applicable requirements referenced therein and complies with the applicable requirements of ANSI A117.1

## WARRANTY

- Lifetime limited warranty against leaks, drips and finish defects to the original consumer purchaser
- 5 year warranty if used in commercial installations

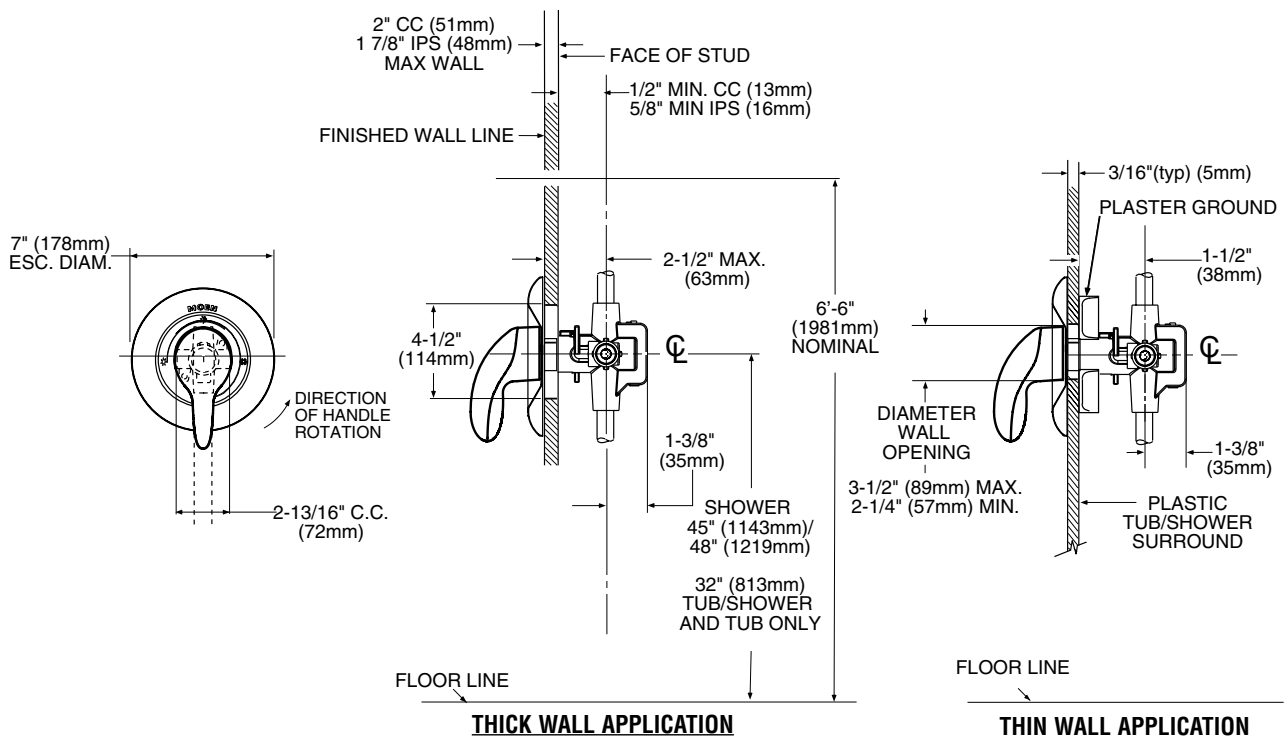


## Villeta™ Posi-Temp® Single-Handle Valve Only Trim Kit

**Models: TL2391, TL2391CP, TL2391P,  
TL2391PM, TL2391W  
(Bulk Packed 12 per carton)**

**Models: TL2301, TL2301CP, TL2301P,  
TL2301PM, TL2301W  
(Packed 1 per carton)**

**NOTE: See reverse side  
for illustrated parts**



ADA symbol applies to shower valve control only.