



Buy it for looks. Buy it for life.®

**DESCRIPTION**

- Metal construction with chrome plated finish
- Includes showerhead, arm and flange
- Supplied with adjustable temperature limit stop

**OPERATION**

- Lever style handle
- Temperature operates through an 180° arc of handle travel (full cold to full hot)

**FLOW**

- Showerhead is limited to 2.5 gpm (9.5 L/min) Max

**CARTRIDGE**

- 1225 cartridge design
- Nonmetallic/nonferrous and stainless steel materials
- Accommodates back to back installations

**STANDARDS**

- Third party certified to meet CSA B-125, ASME A112.18.1M, ANSI A117.1 and all applicable requirements reference therein

**WARRANTY**

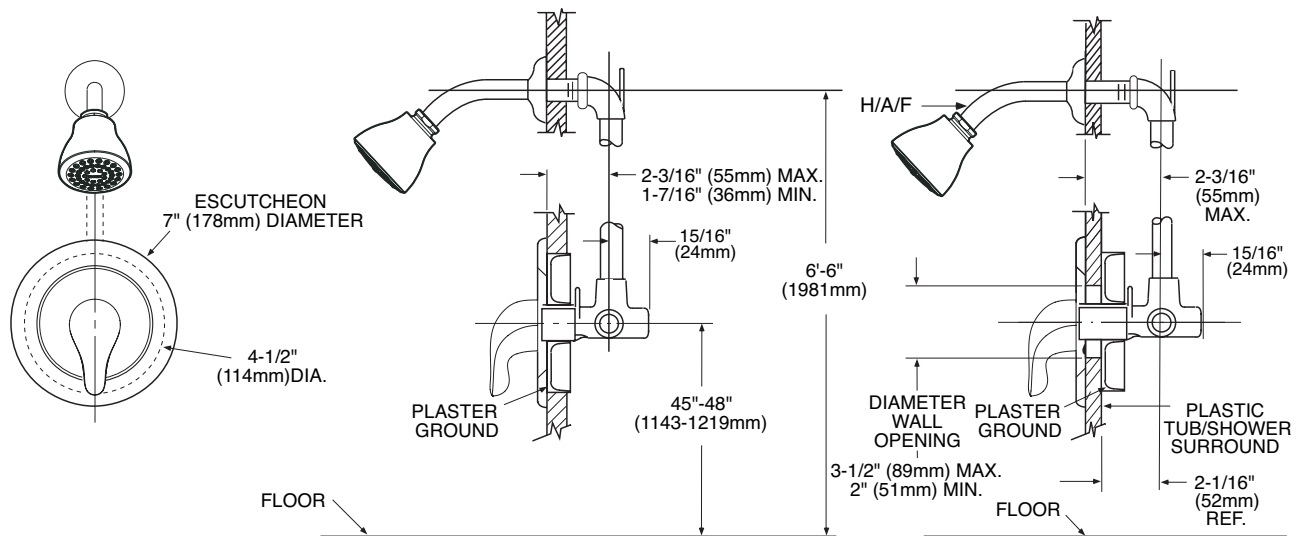
- Lifetime limited warranty against leaks, drips and finish defects to the original consumer purchaser
- 5 year warranty if used in commercial installations

# Specifications



**CHATEAU®  
Single-Handle Shower Trim Kit**

**Model: TL473  
(Bulk Packed 12 per carton)**



**THICK WALL APPLICATION**

**THIN WALL APPLICATION**

## CRITICAL DIMENSIONS

(DO NOT SCALE)

FOR MORE INFORMATION CALL: 1-800-BUY-MOEN

www.moen.com