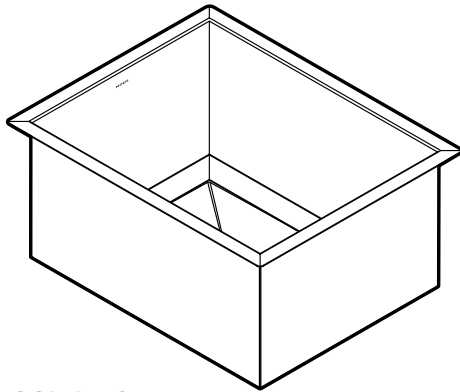




Buy it for looks. Buy it for life.®

# Specifications



Model Number	Depth-Inches	Drain Placement	Model Specified
G16430	10	Center	

### SINK DESCRIPTION

- 1600 Professional Series single bowl undermount
- 16 gauge stainless steel, Brushed finish
- Center drain
- Mounting brackets included, other standard mounting hardware and silicone sealant not included
- SoundSHIELD sound absorbing system

### CUT OUT DIMENSIONS

- Cut out template available to download at moen.com

### STANDARDS

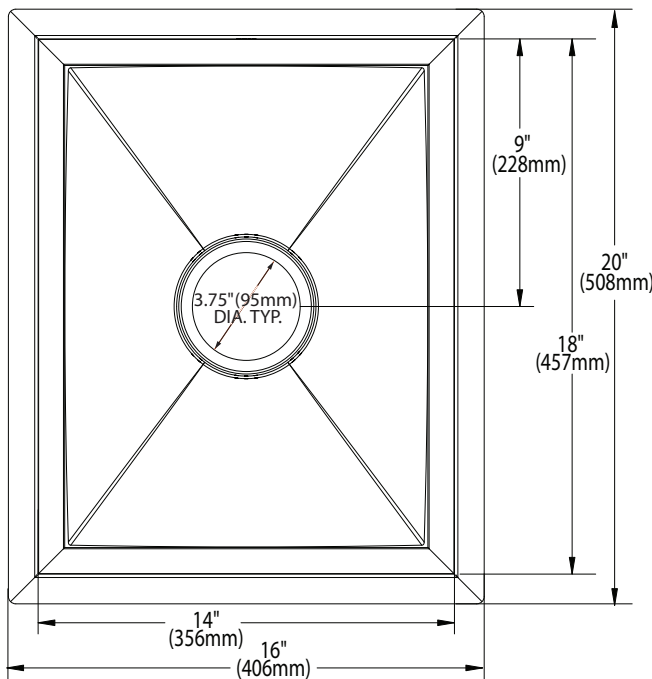
- Third party certified by IAPMO to meet ASME A112.19.3/CSA B45.4 and all applicable specifications referenced

### WARRANTY

- Limited lifetime warranty against material or manufacturing defects to the original consumer purchaser

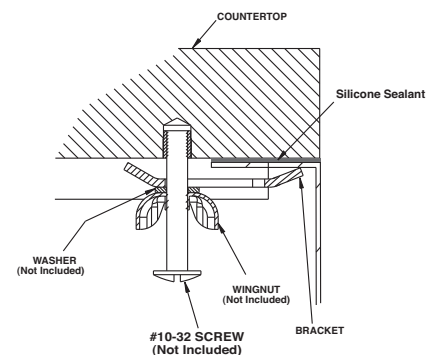
## CRITICAL DIMENSIONS

(DO NOT SCALE)



MADE IN THE USA

### Installation Detail



FOR MORE INFORMATION CALL: 1-800-BUY-MOEN

www.moen.com