

Recessed Fixtures Technical Specification

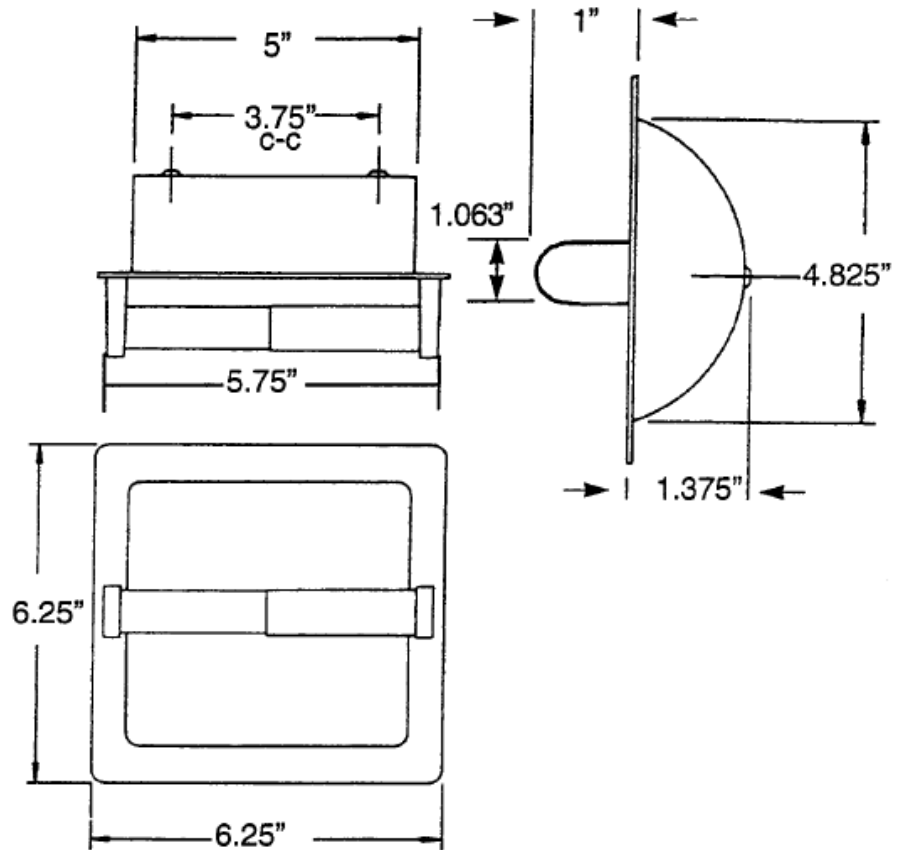
Recessed Paper Holders

1576

Stock Numbers:

- q 1576PB – Recessed Paper Holder
Polished Brass Finish
White Roller
- q 1576SS – Recessed Paper Holder
Polished Stainless Steel Finish
White Roller

Dimensions:



Materials:

Polished Brass Finish Recessed Paper Holder shell is die cast from highest quality zinc alloy (zamac) with a triple plated polished brass finish. Roller is plastic and spring loaded.

Stainless Steel Recessed Paper Holder shell is stamped from corrosion resistant type 304 stainless steel with a polished finish. Roller is plastic and spring loaded.

Installation Instructions:

Cut out wall opening $5 \frac{1}{4}$ " x $5 \frac{1}{4}$ " x $1 \frac{7}{8}$ " depth. If wood blocking is available, install recess shell into opening using $1 \frac{1}{4}$ " screws (provided). If wood blocking is not available, use optional installation clamp: BR587 or 588.

Stock Number: _____ Recessed Paper Holder
By CSI Bath Furnishings

