

**DESCRIPTION**

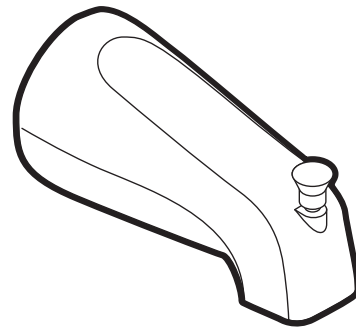
- Metal construction with Chrome plated finish and/or Classic Brushed Nickel finish
- 1/2" CC

**STANDARDS**

- Designed and manufactured to meet: CSA B-125.1 and all applicable requirements referenced therein

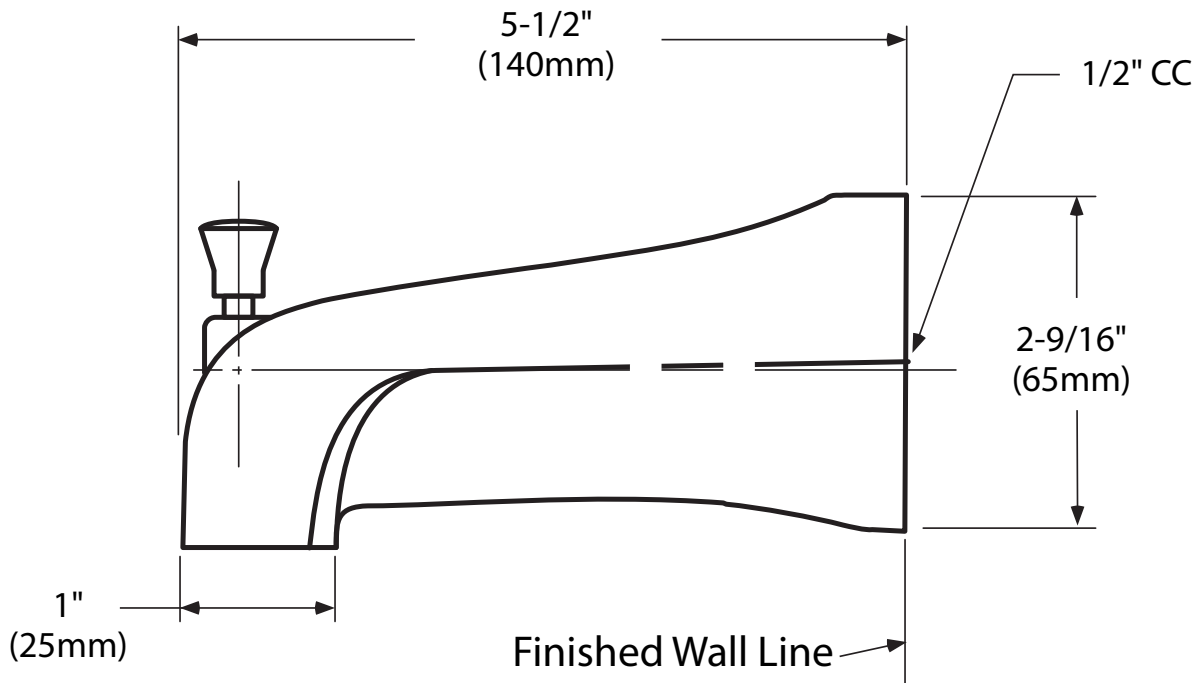
**WARRANTY**

- 5 year warranty if used in commercial installations



**Diverter Tub Spout**

<u>MODEL</u>	<u>FINISH</u>
15856	Chrome
15856CBN	Classic Brushed Nickel



**CRITICAL DIMENSIONS**

(DO NOT SCALE)