

Series 200 Electric Towel Warmers

Installation, Operation & Maintenance Instructions



mr.steam[®]towelwarmers

Model # _____

Serial # _____

Models W219,W228, W236, W248

Model

Serial #

Table of Contents

General Information3
 Specifications3
 Wall Preparation4
 Mounting Dimensions4
 Installation5
 Electrical Connections6
 Optional Programmable Timer ...7
 Installing Optional Accessories .8

IMPORTANT NOTE: As you follow these instructions, you will notice warning and caution symbols. This blocked information is important for the safe and efficient installation and operation of this Towel Warmer.

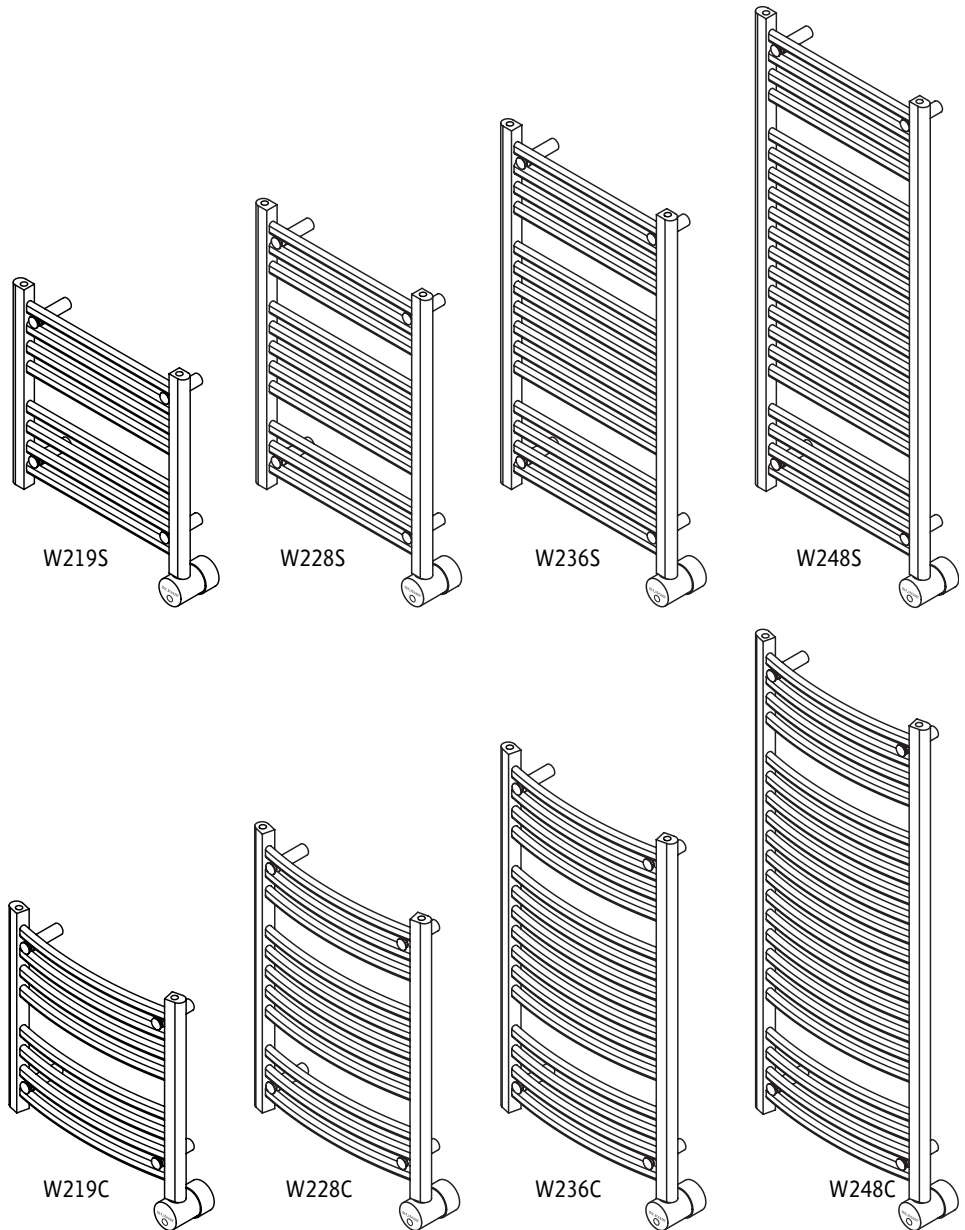
These are types of potential hazards that may occur during this installation and operation:

WARNING states a hazard may cause serious injury or death if precautions are not followed.

CAUTION signals a situation where minor injury or product damage may occur if you do not follow instructions.

IMPORTANT NOTE: This highlights information that is especially relevant to a problem-free installation.

All information in these instructions are based on the latest product information available at the time of publication. Sussman-Automatic Corporation reserves the right to make changes at any time without notice.



ATTENTION:	
Our Model numbers have changed:	
Old #	New #
W210	W228S
W230	W228C
W220	W236S
W240	W236C

mr.steam®

Sussman-Automatic Corporation®
 info@mrsteam.com
 www.mrsteam.com

43-20 34th Street
 Long Island City, NY 11101
 TEL: 800 76 STEAM
 FAX: 718 472 3256

9410 S. La Cienega Blvd.
 Inglewood CA 90301
 TEL: 800 72 STEAM
 FAX: 310 216 2944



PUR 100425 Rev. 1.3/08

HOMEOWNER:

THANK YOU for selecting Mr.Steam Towel Warmer, the perfect addition to bathrooms, family spas, and exercise rooms within your home. Our products have been a standard for quality and comfort, and we are sure that you will experience continued enjoyment from the Towel Warmer you have purchased by following these instructions.

WARNING TOWEL WARMERS ARE HOT! The Towel Warmer is an electrical heating appliance, intended only for indoor residential applications and, as such, should be installed and used with certain precautions for your safety.

1. INSTALLATION PROCEDURES FOR PERMANENTLY-WIRED WALL-MOUNTED UNITS MUST BE ACCOMPLISHED BY QUALIFIED PERSONNEL IN STRICT ACCORD WITH APPLICABLE NATIONAL AND LOCAL BUILDING AND ELECTRICAL CODES.
2. DO NOT place TOWEL WARMER units inside a shower, sauna or steam room enclosure or any other wet location or with elevated temperature because the towel warmer may be an electrocution hazard.
3. CAUTION is advised when a Towel Warmer is accessible to children because the towel warmer is hot and represents a burn hazard.
4. A dedicated wall switch or timer should be used to control the TOWEL WARMER unit. Contact Mr.Steam for an in-wall 24-hour-7 day timer (PN W-103588) Note: All switches and control devices must be installed on the load (black) side of the Towel Warmer circuit in compliance with the National Electrical Code (NEC) and local code. (see page 6 for installation instructions)

IMPORTANT: The finish of your Towel Warmer can be protected and maintained by an occasional wiping with a soft, non-abrasive, damp cloth and lightly polished, thereafter, with a soft dry cloth when the Towel Warmer is cold. Under no circumstances should abrasive cleaning powders, metal polish or chlorine-based cleaners be used on any part of this product.

IMPORTANT: This appliance is for warming towels only. DO NOT use this appliance to dry wet towels.

IMPORTANT: This appliance is intended for towels washed in water. Fabrics that contain soap or detergent residue may show what appears to be scorch marks. However this may be the discoloration of the residue. Mr.Steam is not responsible for discoloring or damage of any fabrics. Refer to the Mr.Steam towel warmer warranty for additional terms and conditions.



This picture shows the recommended method of draping a towel on a towel warmer. Ensure as much as possible of the towel's surface is touching the towel warmer for optimum towel warming.

INSTALLER:

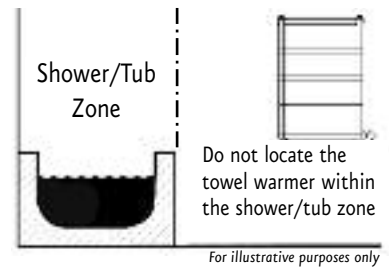
READ THIS ENTIRE INSTRUCTION MANUAL THOROUGHLY BEFORE BEGINNING INSTALLATION. LEAVE THESE INSTRUCTIONS WITH HOMEOWNER.

WARNING BE CERTAIN ELECTRICITY IS SHUT OFF AT MAIN PANEL BEFORE ATTEMPTING TO WIRE OR SERVICE THE TOWEL WARMER. Follow instructions to make certain the Towel Warmer is properly mounted and secured to the wall. FAILURE TO FOLLOW THESE STEPS COULD RESULT IN HAZARDOUS CONDITIONS INCLUDING ELECTROCUTION.

WARNING To avoid possible fire hazard, the Towel Warmer must remain in its intended position. MOUNT THIS UNIT ONLY AS SHOWN IN THESE INSTRUCTIONS.

WARNING

1. Install in accordance with National and local codes.
2. Do not locate in shower stall, tub or near water spray.
3. Do not locate within the shower or tub zone. See illustration.
4. All models are to be protected by dedicated and suitably rated GFCI circuit breaker or equal.



TO ENSURE CORRECT OPERATION OF YOUR TOWEL WARMER, PLEASE FOLLOW ALL INSTRUCTIONS CAREFULLY, OBSERVING THE "CAUTION" and "WARNING" NOTATIONS FOR EACH STEP.

Inspect Towel Warmer

Unpack the Towel Warmer carefully to avoid any damage or loss of any part. When opening the box be sure that the parts are not accidentally discarded. Towel Warmers are shipped in specially designed shipping cartons. The entire surface of the Towel Warmer is hand-wrapped to protect the finish. It is your responsibility to immediately inspect for any damage.

TOWEL WARMER SPECIFICATIONS

Model No.	Dimensions (inches) W x H x D	Amps	Volts/Phase	Weight (lbs.)
W219S	20 x 20 x 4.5	1.67	120/1	17
W219C	20 x 20 x 4.25	1.67	120/1	17
W228S	20 x 28 x 4.5	3.33	120/1	20
W228C	20 x 28 x 4.25	3.33	120/1	20
W236S	20 x 36 x 4.5	3.33	120/1	24
W236C	20 x 36 x 4.25	3.33	120/1	24
W248S	20 x 48 x 4.5	3.33	120/1	30
W248C	20 x 48 x 4.25	3.33	120/1	30

Note: Dimensions are approximate

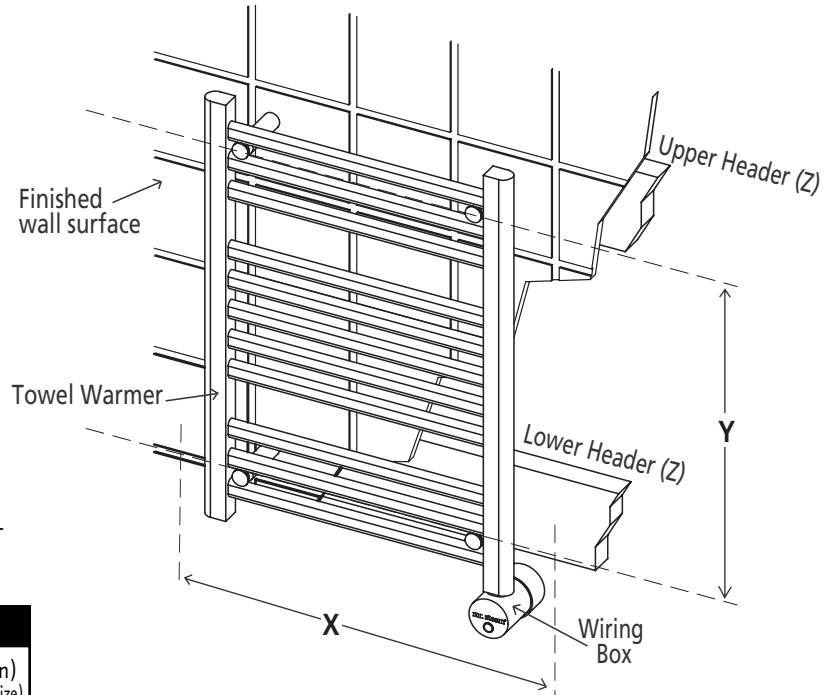
WALL PREPARATION

CAUTION

- DO NOT mount the Towel Warmer without providing structurally secure upper and lower headers as shown.
- DO NOT mount the Towel Warmer directly to sheet rock or any other non-structural surface.
- Use longer fasteners as required if the finished wall surface prevents adequate mounting with the screws provided.
- Provide a clearance hole in the lower header as required to route field wiring to the Towel Warmer wiring box.

IMPORTANT NOTE: See electrical rough-in instructions on page 6.

IMPORTANT NOTE: Towel Warmers may have small dimensional variations and must be measured prior to installation.



MOUNTING DIMENSIONS (inches)			
MODEL	X(min) (Header horizontal length)	Y (Header vertical length)	Z (min) (Header size)
W 219S	16	13 3/4	2 x 6
W 219C	16	13 3/4	2 x 6
W 228S	16	21 5/8	2 x 6
W 228C	16	21 5/8	2 x 6
W 236S	16	29 1/2	2 x 6
W 236C	16	29 1/2	2 x 6
W 248S	16	41 3/8	2 x 6
W 248C	16	41 3/8	2 x 6

For Technical Service Assistance:
 East Coast Tel: 1-800-767-8326
 West Coast Tel: 1-800-727-8326

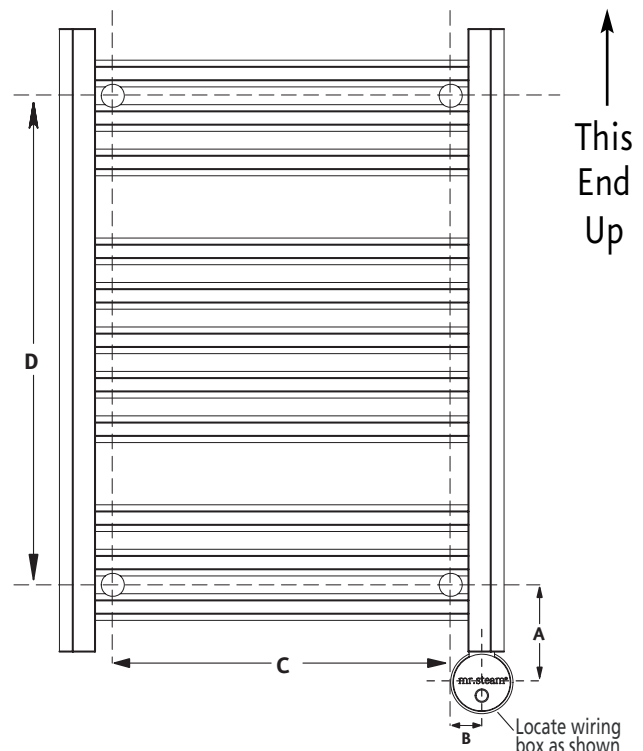
MOUNTING DIMENSIONS

MOUNTING DIMENSIONS (inches)				
MODEL	A	B	C	D
W219S	4 5/16	1 3/8	15	13 3/4
W219C	4 5/16	1 3/8	15	13 3/4
W228S	4 5/16	1 3/8	15	21 5/8
W228C	4 5/16	1 3/8	15	21 5/8
W236S	4 5/16	1 3/8	15	29 1/2
W236C	4 5/16	1 3/8	15	29 1/2
W248S	4 5/16	1 3/8	15	41 3/8
W248C	4 5/16	1 3/8	15	41 3/8

WARNING

Install Towel Warmers in upright position only. Locate wiring box with indicator light on bottom as shown. Failure to install properly may result in overheating and a hazardous condition.

IMPORTANT NOTE: Towel Warmers may have small dimensional variations and must be measured prior to installation.



BOX CONTENTS:

- Towel Warmer
- (4) Bracket Screws
- (4) Threaded Knobs
- (4) Bracket
- (3) Wiring Box Screws
- Wiring Box Escutcheon
- (6) Set Screws
- (2) Allen Keys
- Warranty
- Instruction & Operation Manual

! WARNING TO PREVENT SHOCK HAZARD, THE ELECTRICITY MUST BE TURNED OFF AT THE MAIN PANEL BEFORE ANY WIRING IS DONE.

1. Remove Towel Warmer and parts from the packing materials.

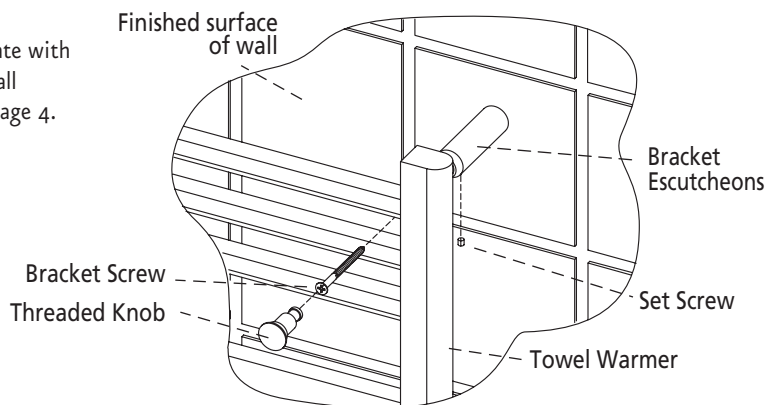
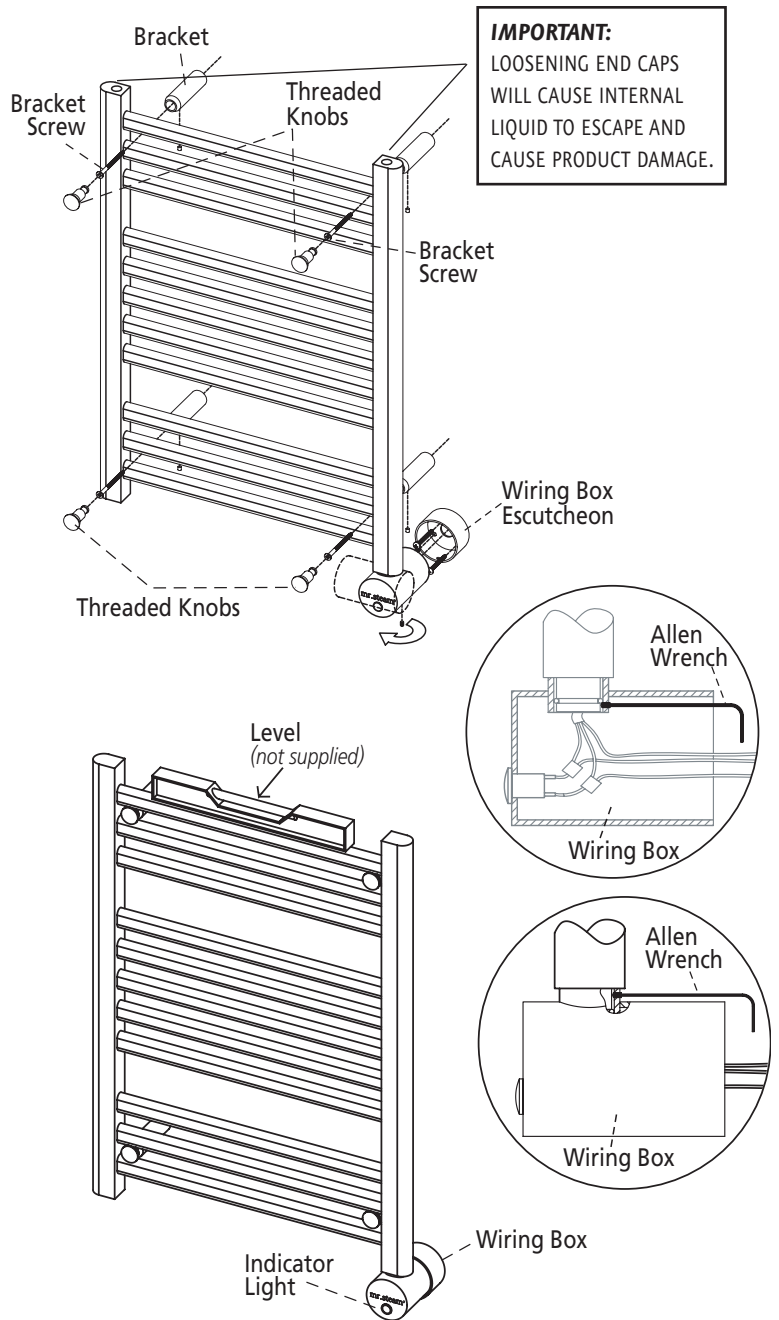
! CAUTION LOOSENING OR REMOVING END CAPS OR HEATING ELEMENT ASSEMBLY WILL CAUSE INTERNAL LIQUID TO ESCAPE AND CAUSE PRODUCT DAMAGE.

2. Using the allen key provided, loosen the wiring box set screw. Set screw location varies by model as shown. DO NOT remove the wiring box.
3. Gently rotate the wiring box as shown. Tighten the set screw firmly to prevent the wiring box from rotating.
4. Locate the bracket on the wall by using the dimensions given on page 4. The brackets are shown in the most optimal location for mounting.
5. Using the screws provided secure the brackets to the wall.
6. Gently place the towel warmer on the brackets and screw a threaded knob into each bracket. Mark the location for the wiring box escutcheon.
7. Remove the towel warmer and secure the flange to the wall per instructions.
8. Secure the towel warmer to the bracket by screwing a threaded knob into each bracket.

NOTE: Hand tighten the threaded knobs only. Using tools will mar or scratch the finish.

IMPORTANT NOTE: See electrical rough-in instructions on page 6.

! WARNING Install Towel Warmers in upright position only. Locate with indicator light on bottom as shown. Failure to install properly may result in a hazardous condition. See page 4.



ELECTRICAL CONNECTIONS

! WARNING TO PREVENT SHOCK HAZARD, THE ELECTRICITY MUST BE TURNED OFF AT THE MAIN PANEL BEFORE ANY WIRING IS ATTEMPTED.

! WARNING The towel warmer is an electric device. It must be installed by a licensed electrician in accordance with the National Electrical Code (NEC) and local code.

! CAUTION Installation of a wall switch or timer to turn the towel warmer on and off is required.

NOTE: When the towel warmer is energized (ON), the indicator light on the towel warmer will illuminate.

NOTE: The Towel Warmer wires are color coded: BLACK for LINE, WHITE for NEUTRAL, GREEN/YELLOW for EQUIPMENT GROUND.

! WARNING Install Towel Warmers in upright position only. Locate with wiring box and pilot light on bottom as shown on pages 4 & 5. Failure to install properly may result in overheating and a hazardous condition.

All wiring must conform to National Electrical Code (NEC) and local code.

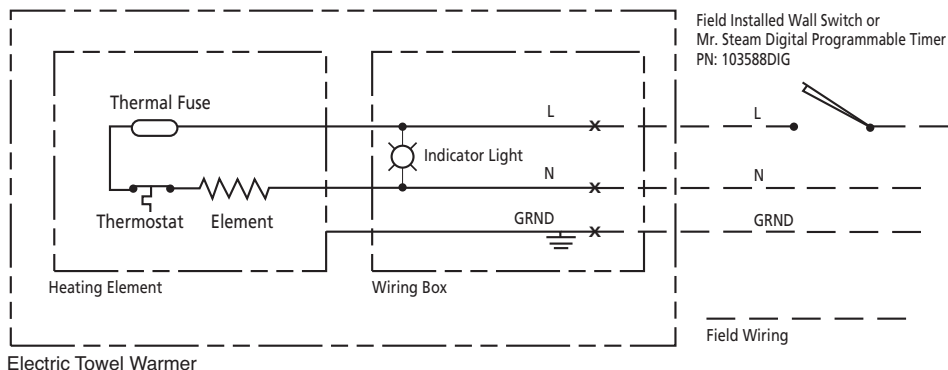
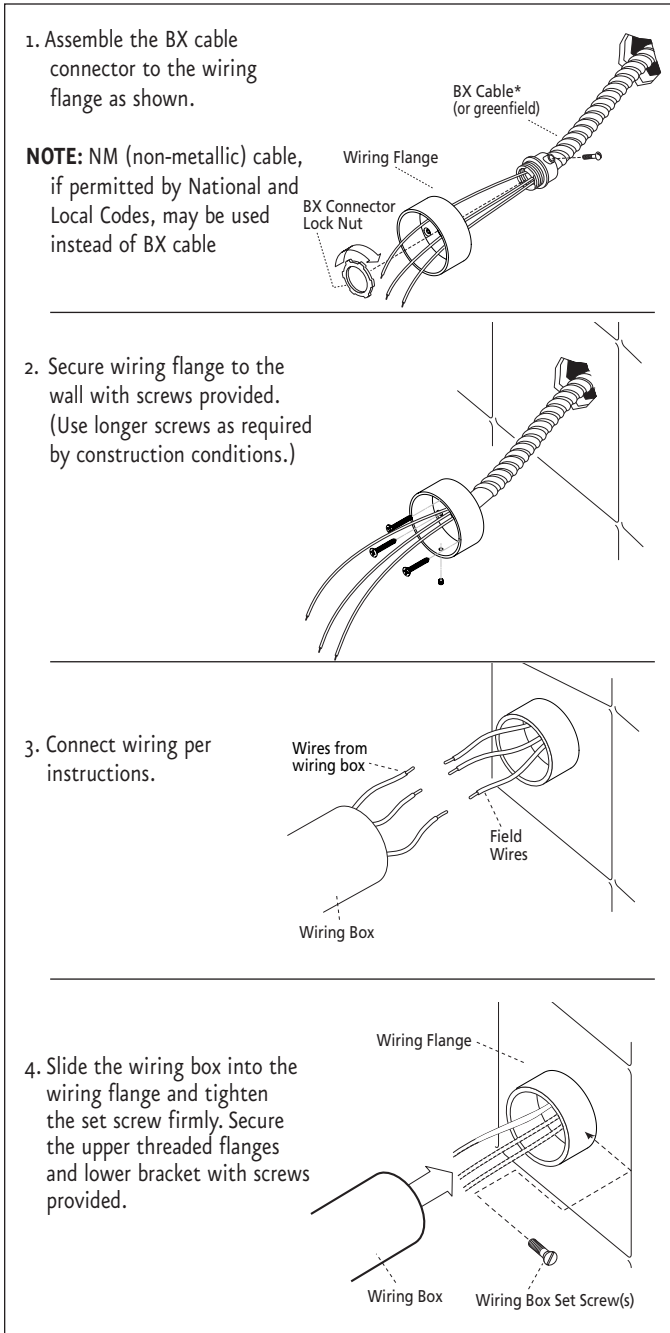
GENERAL:

The Towel Warmer requires 120 VAC, 50/60 Hz power. Specific amperage needed is listed in the Towel Warmer Specifications Chart on page 3 of this manual.

- A. Electrical connections should be made as prescribed by the National Electrical Code and local code. The unit should be field wired using 14 AWG min 90°C-rated insulated copper wire. All models are to be protected by a separate 15 amp circuit breaker, GFCI or equal.
- B. Make connections between Towel Warmer and house wiring using approved connections to comply with the National Electrical Code and local codes. LINE (black), NEUTRAL (white), and GROUND.

! WARNING TO PREVENT ELECTRIC SHOCK HAZARD, NO BARE WIRE OR WIRE STRANDS SHALL BE EXPOSED AFTER MAKING CONNECTIONS.

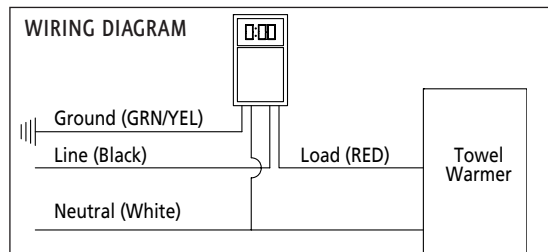
! CAUTION Towel Warmer surface may continue to be hot for a period of time after it has been turned off.



AVAILABLE DIGITAL PROGRAMMABLE TIMER



1. Read the operating instructions provided with the timer.
2. Disconnect power supply prior to installation to prevent electrical shock.
3. Damage to the contacts caused by short circuiting will void the warranty.
4. Wire in accordance with National Electrical and Local Code requirements. Be sure all connections are secure. Double check all twist-on wire connectors.
5. Mount timer into a single gang wall box using supplied screws.
6. If timer does not operate, check that the timer's black wire is connected to hot line and not the load. If necessary, reverse connections to red and black wires
7. When the indicator light on the towel warmer is illuminated, the towel warmer is energized.



MANUAL OPERATION

The slide switch provides manual operation of the load, overriding the timer, Set to the "OFF" position, the load will be continuously off, and if set to "ON", it will be continuously on. For automatic timed ON's and OFF's, the switch must be in the "AUTO" position.

PROGRAMMING

POWER-UP SEQUENCE:

1. Lift up the bottom of the door using a small slotted screwdriver.
2. Position the slide switch to TIMER.
3. Press the "RESET" button using a paper clip.
4. The display should flash 12:00AM on Monday.

IN THE EVENT THAT THE SCREEN IS BLANK, check the following:

1. The OFF/TIMER switch located at the bottom may be in the OFF position. Slide it to the TIMER position using a small screwdriver.
2. Check the 120VAC power source.

SETTING CURRENT TIME:

1. Press and HOLD the "CLOCK" key during this entire procedure.
2. Press the "HOUR" key to advance the hours.
3. Press the "MIN" key to advance the minutes.
4. Press the "DAY" key to advance the day.
5. If any keys are pressed for a prolonged period, the display will advance rapidly.
6. Release the "CLOCK" key once the time and day have been entered. Now the timer is in operation and ready to be programmed. The colon ":" after the hours will continuously flash indicating that the time is advancing.

PROGRAMMING:

1. Press the "PROG" key once. TIMER 1 ON —:— appears.
2. Using the "HOUR" and "MIN" keys enter the desired ON time. By default all days are indicated. When complete press the PROG key once.
3. Timer OFF —:— will be displayed. Using the "HOUR" and "MIN" keys enter the desired OFF time. When complete press the PROG key once.
5. Note that a total of 7-ON and 7-OFF events can be programmed.

BLOCK PROGRAMMING:

1. When programming ON/OFF events, all days are indicated by default. To change the day selection simply keep pressing the Day key and the display will change as follows:
2. Individual Day (MON, TUE, etc.)
3. MON~FRI; SAT~SUN; MON~SAT; MON~SUN
4. MON-WED-FRI; TUE-THU-SAT
5. MON~WED; THU~SAT
6. Follow the steps above to complete programming.

REVIEWING PROGRAMS:

1. To review the programs that have been entered simply press and release the PROG key. Each time you do this you will be able to scroll thru the programs.

2. Any program can be edited simply by pressing the HOUR, MIN, and DAY keys. Then press the PROG key in order to accept the changes.
3. When complete press the "CLOCK" key to return to current time and day.

DELETING PROGRAMS:

1. To delete a particular program simply press the PROG key until the desired program is displayed.
2. Then press the HOUR and MIN keys until --:-- is displayed. Then press the PROG key in order to delete this particular program.
3. When complete press the "Clock" key to return to current time and day.

MANUAL OVERRIDE:

Pressing the timer cover (when closed) will alternate the unit ON or OFF.

INITIAL STARTUP:

When you initially program the unit it may be necessary to press the manual override key as the unit will not look back to determine if it should be ON. For example if the current time is 2:00PM and you just programmed the unit to turn ON at 1:00PM, you will need to press the manual override key to turn it ON. Thereafter, the unit will resume normal operation (automatic). MEMORY BACKUP: The timer is equipped with a rechargeable Ni-Mh battery which will protect your programs during power failure for up to 30 days. No need to replace battery. Note that the screen blanks during a power failure.

AVAILABLE DECORATIVE FACEPLATE FOR TIMER:

Polished Chrome 103872D-PC Satin Nickel 103872D-SN Oil Rubbed Bronze 103872D-ORB
 White faceplate is provided standard.

INSTALLING OPTIONAL W200 SERIES ACCESSORIES

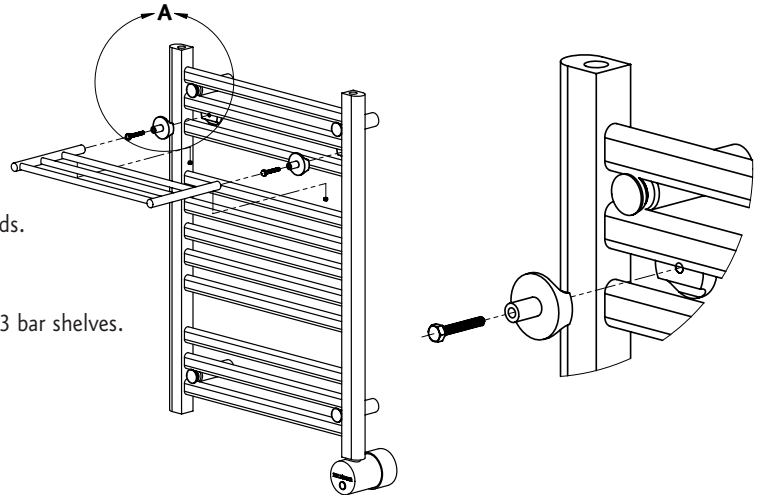
Mr Steam recommends installing accessories after a towel warmer is firmly secured to a wall.

CAUTION Let towel warmer cool before installing accessories. Towel warmer shall not be energized when installing accessories.

WARNING Do not load accessories with more than 5 pounds.

IMPORTANT: Accessories are not heated surfaces.

NOTE: Straight and curved Towel Warmers use different 1 bar and 3 bar shelves.



ACCESSORY KIT CONTENTS

1 Bar Shelf	3 Bar Shelf	Robe Hook
1 Shelf	1 Shelf	1 Robe Hook
2 Bolts	2 Bolts	1 Bolt
2 Mounting Bracket Sets	2 Mounting Bracket Sets	1 Mounting Bracket Set
2 Set Screws	2 Set Screws	1 Set Screw
1 Allen Wrench	1 Allen Wrench	1 Allen wrench

1. Locate where to place the accessory on your W200 Series Towel Warmer.
2. Put the threaded portion of the bracket behind the towel warmer with the hole facing forward. Place the extension portion of the bracket on the front face of the towel warmer.
3. Clamp the two portions of the bracket to the towel warmer using the bolt provided. (Note: brackets are approx 14" apart for shelves)
4. Slide the accessory over both mounting brackets (Note: Robe hook only requires 1 bracket)
5. Use the set screws provided to secure the accessory to the bracket.

PART NUMBER	ACCESSORY
SBRACK-ST	Straight 1 Bar Shelf
SBRACK-CU	Curved 1 Bar Shelf
TBRACK-ST	Straight 3 Bar Shelf
TBRACK-CU	Curved 3 Bar Shelf
RHOOK	Robe Hook

USING MR.STEAM ESSENTIAL OILS

Enjoy AromaSteam essential oils by placing one or two drops of oil into your 200 series towel warmer aroma well as shown in the illustration. Only use Mr.Steam® AromaSteam essential oils.

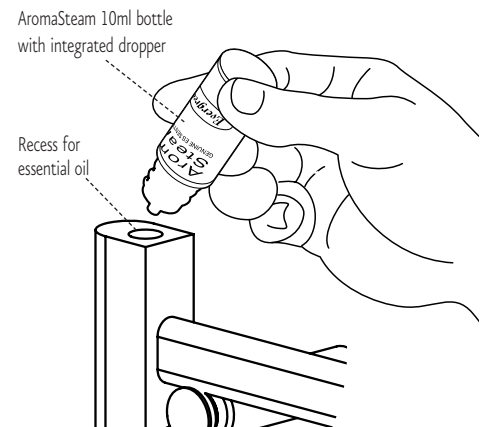
WARNING Use essential oils with caution. Essential oils are for external use only. Keep out of reach of children. Essential oils are highly concentrated and are potent substances and should not be applied directly to the skin as they can be irritants. Use essential oils with caution.

CAUTION Start with one drop to gauge strength and suitability.

CAUTION Some people may find that the aroma makes them dizzy and the user should turn off the towel warmer and exit the room IMMEDIATELY. If skin irritation occurs stop using the oils immediately. Remove any excess oil by washing in mild soap and water. If ingested, rinse mouth with water. Administer water or milk to dilute. Contact a physician immediately.

CAUTION Use care not to allow oil to contact towels.

Tightly close oil bottles when storing oils. Keep oil bottles away from sources of ignition.



mr.steam®

Sussman-Automatic Corporation®
 info@mrsteam.com
 www.mrsteam.com

43-20 34th Street
 Long Island City, NY 11101
 TEL: 800 76 STEAM
 FAX: 718 472 3256

9410 S. La Cienega Blvd.
 Inglewood CA 90301
 TEL: 800 72 STEAM
 FAX: 310 216 2944

© 2008 Sussman-Automatic Corporation
 MR. STEAM and des., A LIFETIME OF PLEASURE, ALLEGRO, AROMAFLO, AUTOFLUSH, CLEAN STEAM...EVER TIME, MRSAUNA, STEAM ON DEMAND, STEAM@HOME, SUSSMAN, SUSSMAN LIFESTYLE GROUP, TEMPO, TEMPO/PLUS, TEMPO/REMOTE, TEMPO/EXT, WARMATOWEL, eTEMPO, eTEMPO/PLUS, eTEMPO/REMOTE, eTEMPO/START and STEAMTHERAPY, are registered trademarks of Sussman-Automatic Corporation. AROMASTEAM, CLUB THERAPY, CHROMASTEAM, F1 PLUS, MUSICTHERAPY, SAUNA/ONE, MAKE WELLNESS A WAY OF LIFE and FROM BATHROOM TO SPA are trademarks of Sussman-Automatic Corporation.