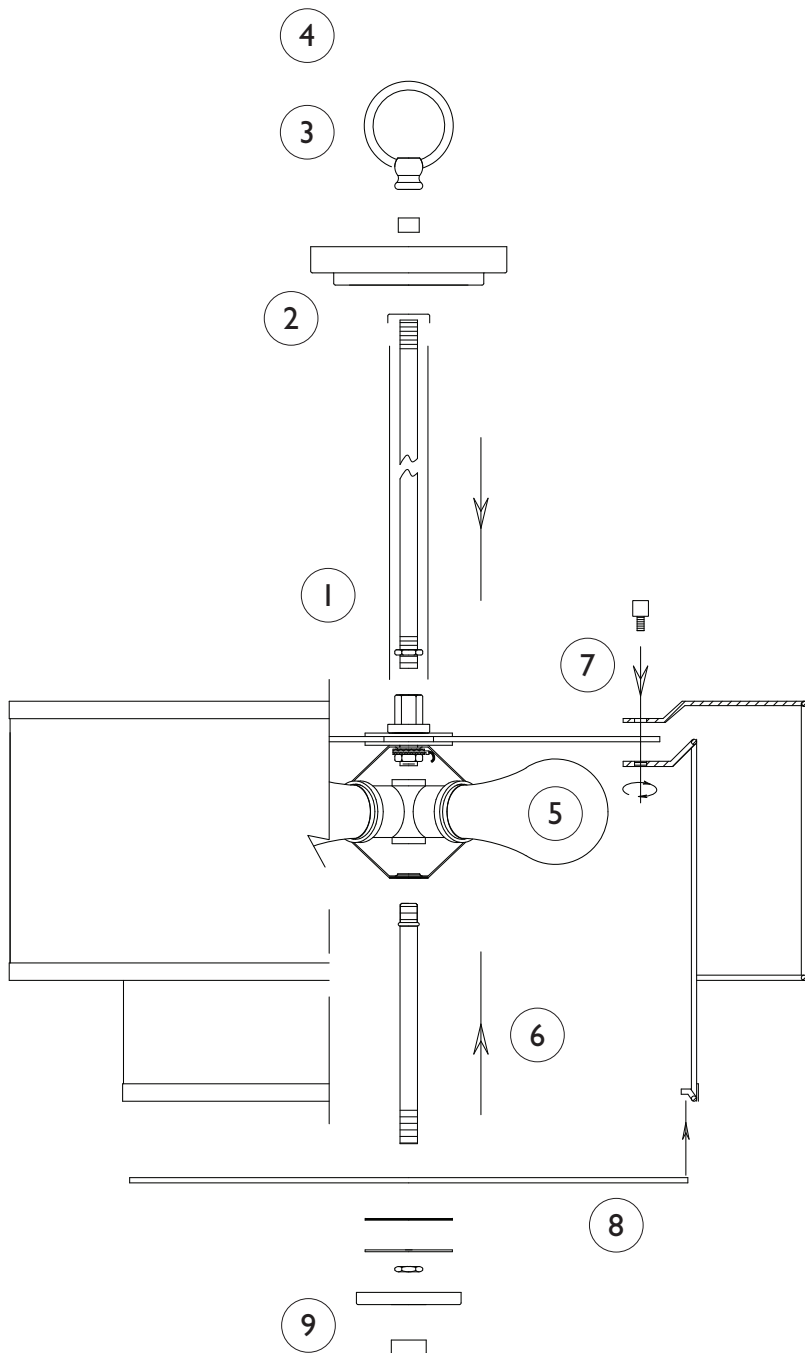


Assembly Instructions For

F2770/3

(E) 5/2012



IMPORTANT
TURN OFF THE POWER AT THE MAIN FUSE
OR CIRCUIT BREAKER BOX
BEFORE STARTING INSTALLATION

Carefully unpack and identify all parts before assembly. Bulbs not included.

1. Install the center pipe onto the top of the socket assembly.
2. Install the top cap onto the top of the center pipe.
3. Install the fixture loop onto the top of the fixture.
4. Follow enclosed supplement installation instructions for electrical and fixture installation onto house outlet box. If you do not have an outlet box at desired location to attach the fixture then hire a qualified electrician to create one.
5. Install light bulb (not included). See relamping label at socket area for type and maximum allowed wattage.
6. Install the short threaded pipe onto the bottom bracket of the socket assembly.
7. Install the shades onto the socket assembly using the thumb screws.
8. Raise the glass plate and slip it through the installed threaded pipe. Secure the glass plate with the washers and hex nut.
9. Then place the cover onto the threaded pipe below the glass plate and fasten it into place using the finial.

FEISS[®]

EST. 1955