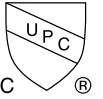


# NEWPORT BATH

## Showerhead

# 2141



### Features

- Solid brass construction
- Contemporary styling
- Single function shower engine with air induction
- Rubber nozzles facilitate easy cleaning
- 1/2" NPSM inlet pivot ball fitting
- 5-15/16" (15.1 cm) showerhead diameter
- 2.0 gallons (7.6 liters) per minute maximum flow rate

### Codes / Standards Compliance

Meets or exceeds the following at date of manufacture:

- ASME A112.18.1/CSA B125.1
- IAPMO/cUPC
- IPC
- Energy Policy Act of 1992
- All applicable US Federal and State material regulations

### Colors / Finishes

- 10B: Oil Rubbed Bronze
- 15: Polished Nickel
- 15A: Antique Nickel
- 26: Polished Chrome
- Other: Refer to the Newport Brass catalog for additional color/finish options.



### Specified Model

Model	Description	Colors / Finishes
2141	Showerhead	<input type="checkbox"/> 10B <input type="checkbox"/> 15 <input type="checkbox"/> 15A <input type="checkbox"/> 26 <input type="checkbox"/> Other

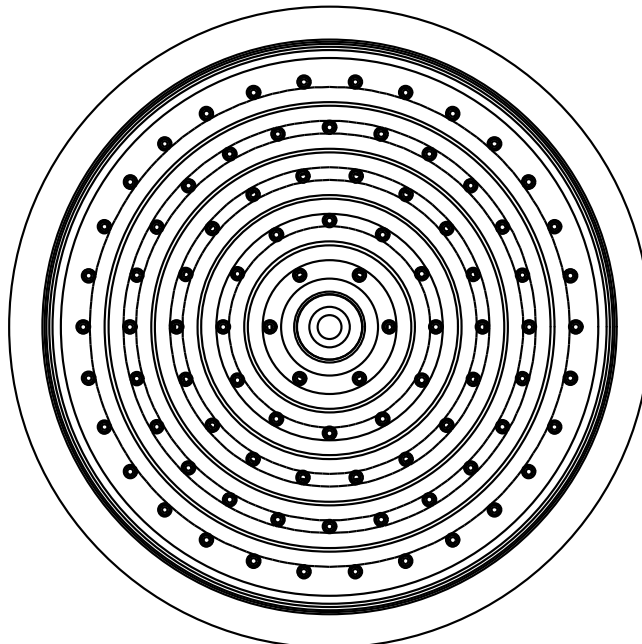
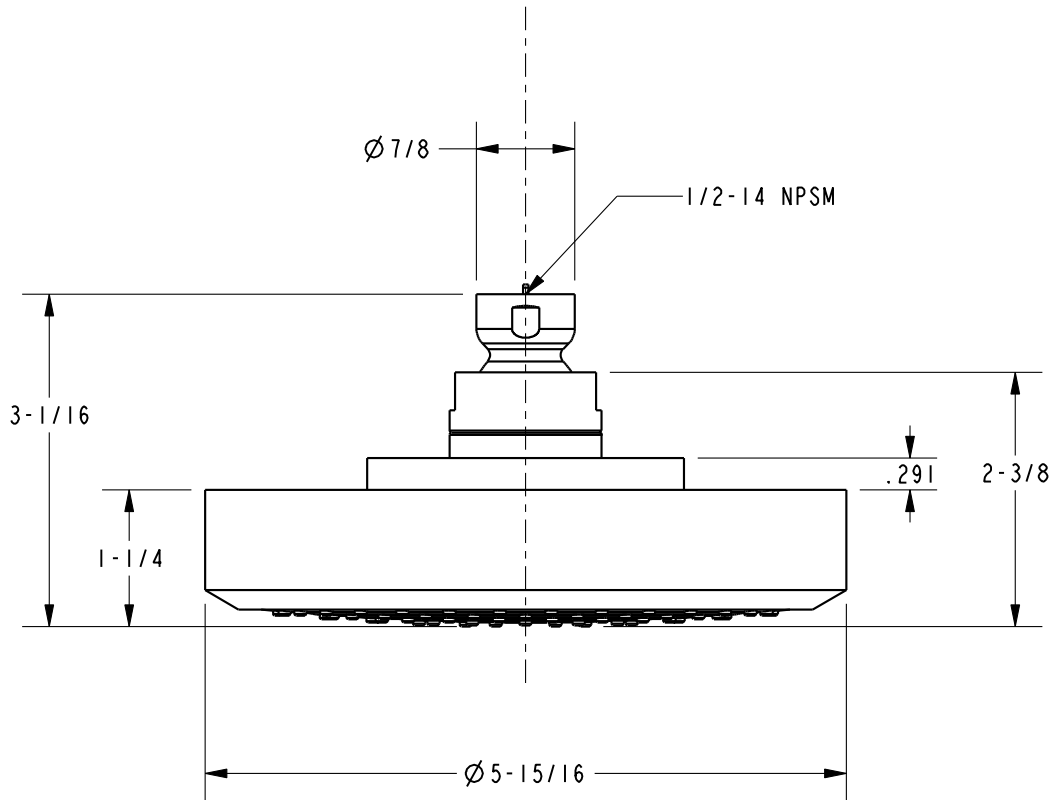
### Product Specification:

Add "Color / Finish" suffix to Model number, below.

The Showerhead shall be of solid brass construction while incorporating a non-metallic showerhead engine. Showerhead shall have a single function shower engine incorporating rubber nozzles to facilitate easy cleaning. Showerhead shall have a 1/2" NPSM inlet fitting and 5-15/16" (15.1 cm) showerhead diameter while operating at 2.0 gallons (7.6 liters) per minute maximum flow rate. Showerhead shall be Newport Brass Model 2141/\_\_\_\_.

# NEWPORT BATH

Product Dimensions (units are in inches)



Newport Bath Showerhead  
**2141**

page 2 of 2

spec\_2141

**NEWPORT BRASS**  
Flawless Beauty. From Faucet to Finish.™

t: 949.417.5207 | [www.newportbrass.com](http://www.newportbrass.com)

©2010 Brasstech, Inc.