

C O L U M N A R TM

I N S T A L L A T I O N I N S T R U C T I O N S

ROMAN BATH WITH HAND SHOWER
MODEL: G45-007



COMPLEMENT THIS PRODUCT WITH THESE
COORDINATING ACCESSORIES:

sconce lights • mirrors • towel bars and rings • toiletry shelves and trays
toilet tissue holders • robe hooks • hotel shelves • grab bars
soap dishes and dispensers • tumblers • toothbrush holders • curtain rod holders

GINGER[®]

PATENT PENDING

We recommended Installation of this product by a Professional Plumbing Contractor

Note: Use Teflon tape or equivalent to seal all threaded joints.

Warning: To prevent severe damage to valve body, any solder/braze process must be performed a min. of 4" from ports.

It is strongly recommended that an access panel(s) is built into the roman bath surround. Access panels allow for ease of trim installation and future possible repairs.

Diverter Installation (Finished Deck (Standard) Installation)

Note: Intended for surfaces up to 2-1/2" (63.5mm) thick.

- Drill 1-1/2" (38mm) hole in deck.
- Loosen SCREWS (1) until cardboard TUBE (2) is free. Rotate WASHER (3) 90° and remove. Remove cardboard TUBE (2) and discard. See Figure 1.
- Diverter protective COVER (5) should remain on Diverter until spout is ready to install. (Remove by dis-engaging set screw.)
- Install Diverter (4) through hole from underside of deck. **Note:** Hot side of end valve is labeled. Replace WASHER (3) and rotate 90° to expose SCREWS (1). Secure into place by tightening SCREWS (1). See Figure 2.

Spout Installation

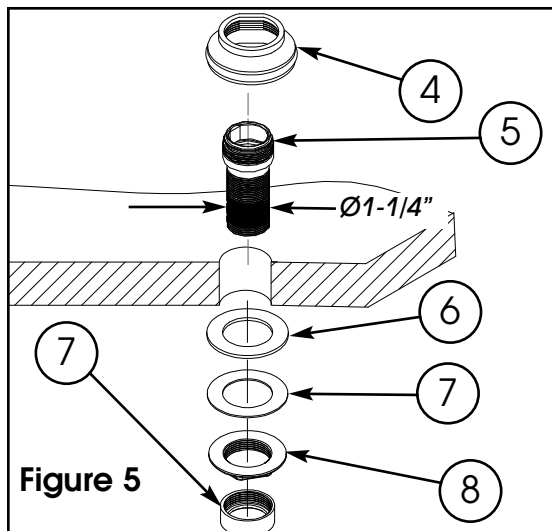
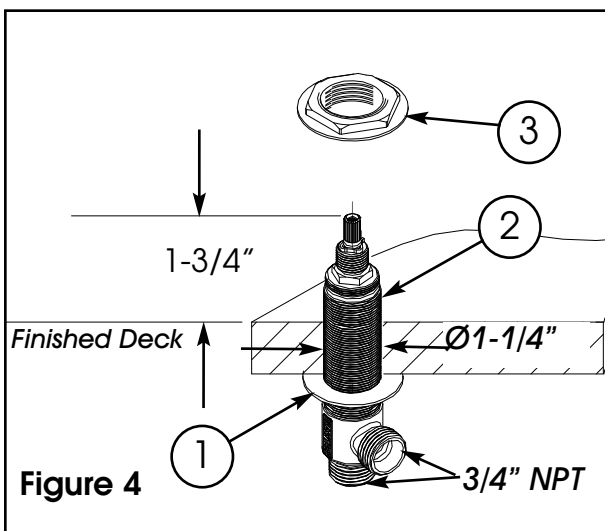
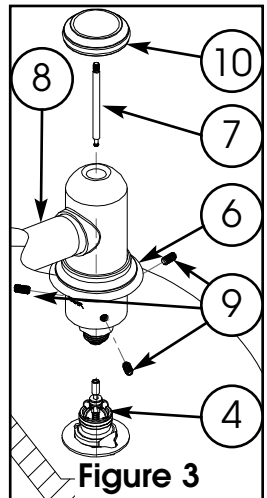
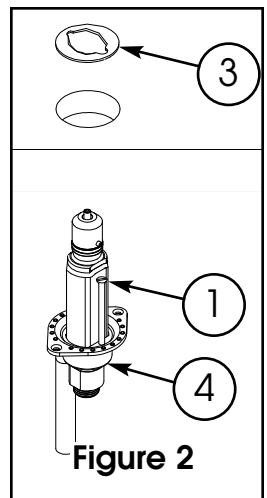
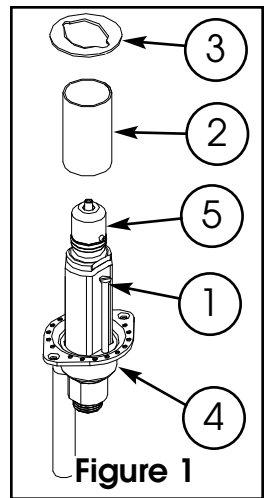
- Slide spout base RING (6) onto SPOUT (8).
- Thread diverter ROD (7) onto KNOB (10). Slide ROD (7) through SPOUT (8).
- Place SPOUT (8) over VALVE (4). Rotate KNOB (10) to thread lower end of ROD (7) to VALVE (4). Secure into place with SETSCREWS (9), 3 places.
- Slide base RING (6) down and flush with deck. See Figure 3.

Valve Installation

- Place flange NUT (1) on valve BODY (2).
- Insert BODY (2), (blue cold & red hot), through hole from below mounting surface.
- Adjust and secure with inverted flange NUT (3) so that the top of valve stem is 1-3/4" above the mounting surface. See Figure 4.

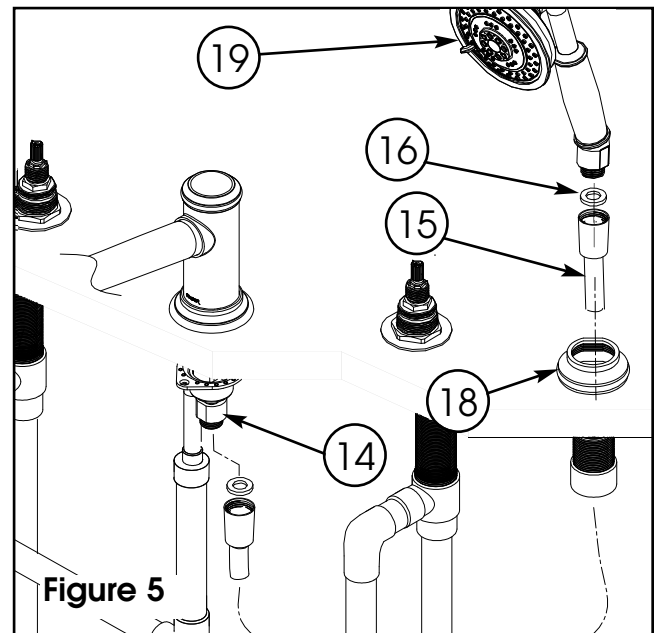
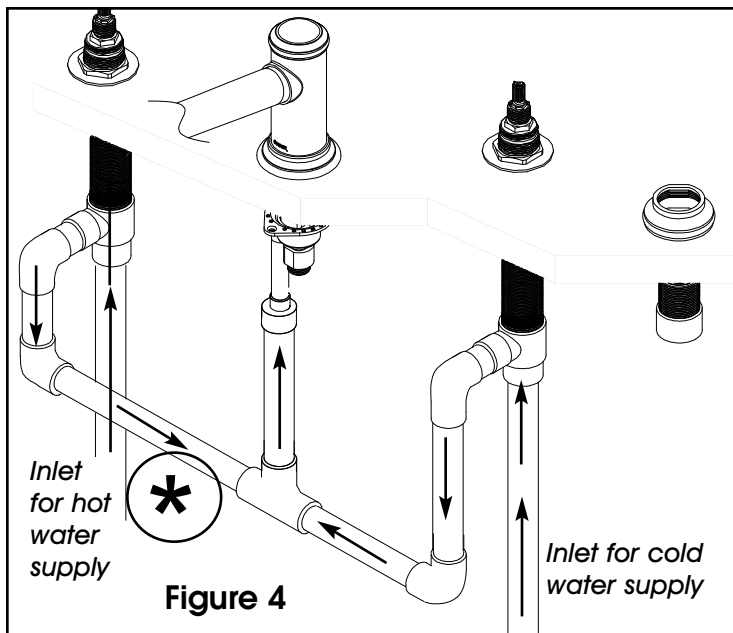
Deck Flange Installation (The maximum distance between mounting holes is 18".)

- Attach deck FLANGE (4) onto NIPPLE (5).
- Insert NIPPLE (5) through hole in mounting surface.
- Place rubber WASHER (6), brass WASHER (7) and flange NUT (8) onto NIPPLE (5) and tighten.
- Attach plastic SLEEVE (9) onto end of NIPPLE (5). See Figure 5.

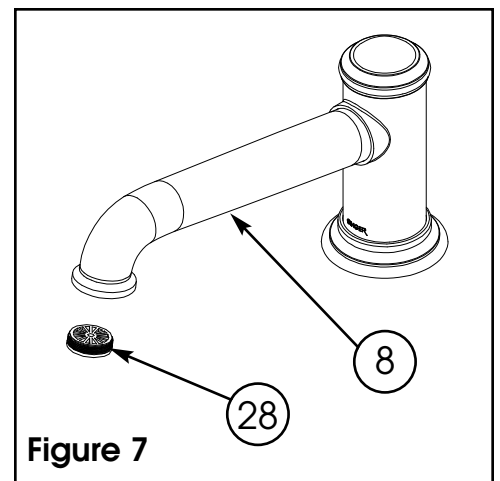
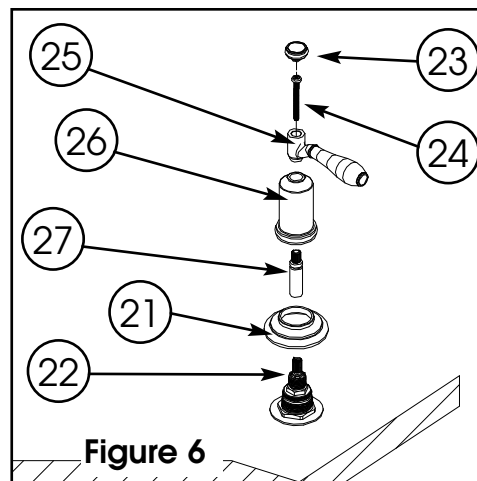


Trim Installation

- Utilizing 3/4" copper pipe, make connections between spout, valves & water supply. See Figure 4.
- **Warning:** To prevent severe damage to valve body, any solder/braze process must be performed a min. of 4" from ports.
- Apply thread sealant and insert a rubber WASHER (16) into each end of HOSE (15).
- Attach one end of HOSE (15) to diverter OUTLET (14). Pull other end through deck FLANGE (18) and attach to hand SHOWER (19). Place hand SHOWER (19) into deck FLANGE (18). See Figure 5.
- Install ESCUTCHEON (21), place broached ROD (27) with o-ring onto STEM (22). Tighten BONNET (26) over ROD (27) and onto ESCUTCHEON (21). Install LEVER (25) over BONNET (26). Align & secure with SCREW (24). Press end CAP (23) with o-ring into top of LEVER (25). **Note:** Any adjustments for rotational alignment must be made to the valve BODY (2), not to the CARTRIDGE (22). Repeat for all handles. See Figure 6. (Cartridge Bonnet factory torque is 14-16 ft-lbs.)
- Using a thin blade screwdriver, remove AERATOR (28) from SPOUT (8). Turn on water supply, and flush both valves until water is clear. Check for leaks and make any final adjustments required. Re-attach AERATOR (28) to the SPOUT (8). See Figure 7.



***** Note: Some states require a ASSE 1016 approved Tempering Valve installation with this product. See the following disclaimer for proper installation.



Disclaimer Regarding Roman Tub with Hand Spray

To conform to local codes and ordinances, all Roman tub with hand spray products should be used in concert with an ASSE 1016 approved tempering valve to reduce the hot water supply to a safe temperature not exceeding 110°F (43°C).

Important: Water temperatures in excess 110°F (43°C) are dangerous and may cause scalding, severe injury or death!

Tempering valve should be installed and adjusted by a licensed contractor per the valve manufacturer installation instruction, and in accordance with local codes and ordinances. In general, key characteristics to ensure a tempering valve to work best with Roman tub with hand spray products shall be as follows:

- Tempering valve should be used prior to the Roman tub product to reduce the hot water supply to a safe temperature.
- To ensure sufficient water flow through the tub spout, tempering valve should be capable to handle a flow rate of 10 gpm or more.
- Tempering valve should include inlet filter washer and check valves in both the hot and cold water inlets to protect against cross flow.

Pressure - Temperature - Flow Rate

Minimum supply pressure static: 30psi (207 kPa)

Inlet temperature: hot inlet, 120°F – 180°F (49°C – 82°C)

cold inlet, 39°F – 85°F (4°C – 29°C)

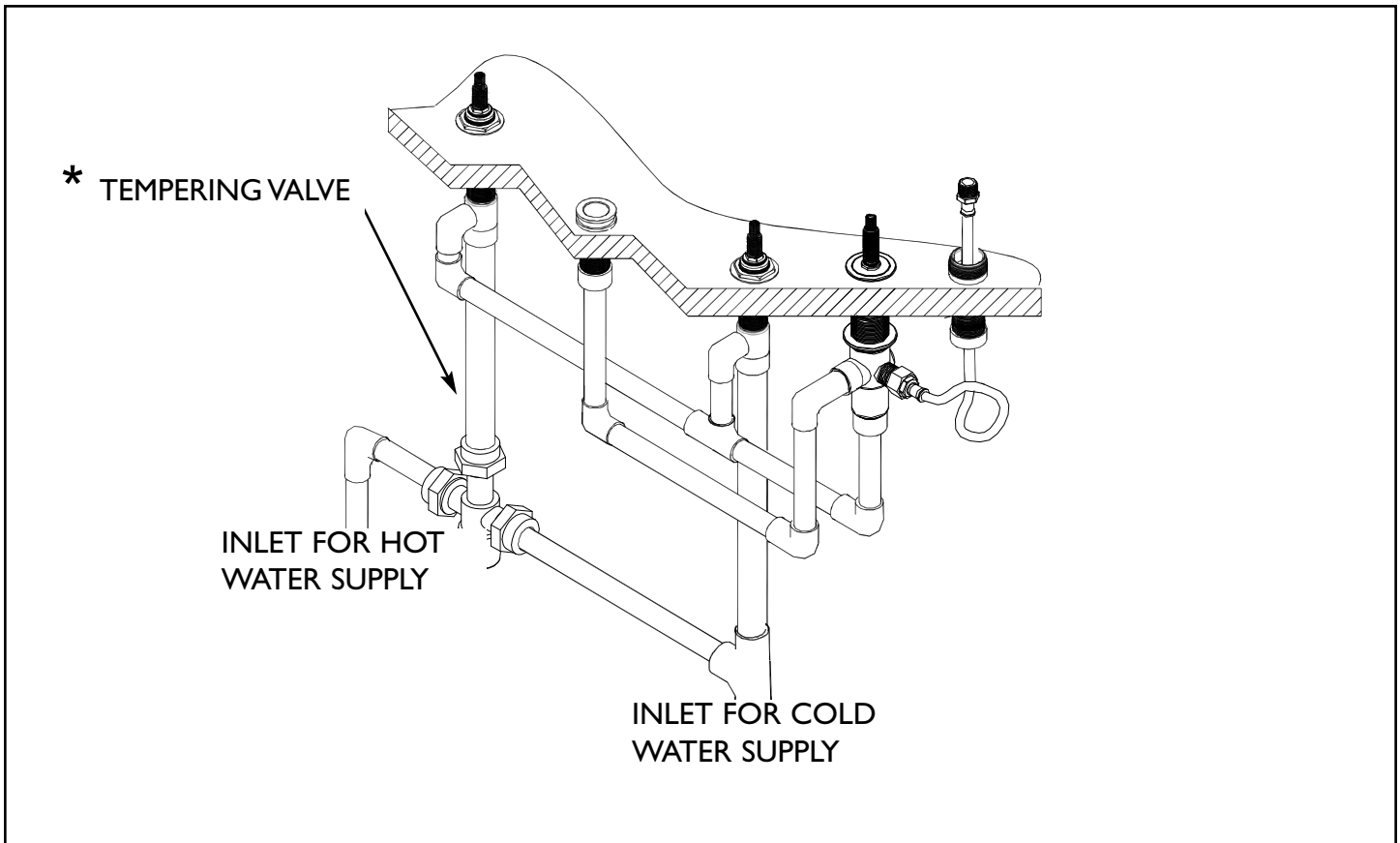
Temperature out: Field range: 80°F -120°F (27°C – 49°C), adjustable. Accurate within +/-3°F (1.7°C)

Maximum temperature: 200°F (93°C)

Maximum pressure: 150psi (10.3 bar)

Minimum flow: 0.5 gpm (1.9 lpm) @ 0.8psi (0.55 kPa)

Maximum flow: 20 gpm (76 lpm) @ 125psi (862 kPa)



***Note:** Valve should be installed in a location where it is accessible for cleaning or service. Due to the effects of various water conditions, periodic verification of outlet water temperature is required.

Ginger® Product Care

Simple care is all that is needed in maintaining this product. Abrasive cleansers, detergents and silver or brass polish may result in damage to the finish and therefore should not be used. To clean, simply wipe with a soft, water-dampened cloth. Ginger hand, deck and wall shower sprays feature easy-cleaning jets. The jets should be cleaned periodically by rubbing your thumb or a damp cloth across the jets to loosen mineral deposits. Run the shower spray briefly to purge the loosened deposits.

Limited Warranty

Ginger warrants to the original consumer residential purchaser ("Original Purchaser") that if a Ginger product ("Product") is confirmed upon inspection to be defective in materials or workmanship during the warranty periods described below, Ginger will, at its option, either repair or replace the Product with a similar current model of the Product. If repair or replacement is not commercially practical or cannot be made in a timely manner, then Ginger will provide a refund for the Product.

Warranty Periods and Coverage

Product Finishes

- PVD and Polished Chrome (PC) finishes on Products other than Drains are warranted as long as the Original Purchaser owns their home.
- All other finishes are warranted for ten (10) years from date of purchase by the Original Purchaser.

Drain Finishes

- Polished Chrome (PC), Satin Nickel (SN) and Polished Brass (PB) finishes on bath or lavatory drains of all types ("Drains") are warranted for one (1) year from date of purchase by the Original Purchaser.
- All other Drain finishes have no warranty.

Functionality

- All Product parts except valves are warranted for ten (10) years from date of purchase by the Original Purchaser.
- Ceramic disc valves for the lavatory faucet, tub/shower and roman tub are warranted for as long as the Original Purchaser owns the home.
- All other valves (balance pressure, thermostatic, etc.) are warranted for one (1) year from date of purchase by the Original Purchaser.

Exclusions from Coverage

This Warranty does not cover labor charges or associated costs for, or damages occurring during the removal, transportation, return or installation of Products or replacement Products.

This Warranty does not cover damage or defects due to normal wear and tear, misuse, abuse, hard water, improper storage, improper handling, improper maintenance, improper installation** or uses other than normal household usage***.*

This Warranty is not transferable.

Limitations on Remedies

In no event will Ginger be liable for incidental or consequential damages (such as labor charges), whether based on breach of express or implied warranty, breach of contract, negligence, strict liability or any other legal theory.

Some states do not allow the exclusion or limitation of incidental or consequential damages, so, the above limitation or exclusion may not apply to you.

Any implied warranties, including the implied warranties of merchantability and fitness for a particular purpose, are limited to the duration of this written warranty. Some states do not allow limitations on how long an implied warranty may last, so the above limitation may not apply to you.

Warranty Service

To obtain service under this Warranty, please contact your Product dealer. If you are unable to locate your dealer, please call 800-842-4872 or access the Ginger website at www.gingerco.com. Proof of purchase, such as the original purchase order, is required to issue credit to the distributor.

State Remedies

This Warranty gives you specific legal rights, and you may have other rights which vary from state to state.

*** Maintenance** *Proper maintenance is required to preserve all finishes. Do not use any abrasive cleaners, alcohol, ammonia, detergents, or brass or silver polish on the Products. For complete care requirements and recommendations, please visit our website at www.gingerco.com.*

**** Proper Installation** *Products must be installed in accordance with the manufacturer's installation instructions supplied with the Products. For example, pipes must be flushed before faucet installations, because solder and other debris may damage ceramic discs. You may also call 800-842-4872 for copies of the installation instructions. Many of our installation instructions are also available on our website, www.gingerco.com.*

***** Commercial Purchasers** *Ginger extends the above limited warranty to purchasers of Products for industrial, commercial and business use upon the same terms and conditions and exclusions applicable to residential purchasers, except that the finish and functionality warranty periods are reduced to a period of one (1) year from the date of purchase. **Additionally, with respect to commercial purchasers, all implied warranties, including the implied warranties of merchantability and fitness for a particular purpose are excluded and disclaimed.***