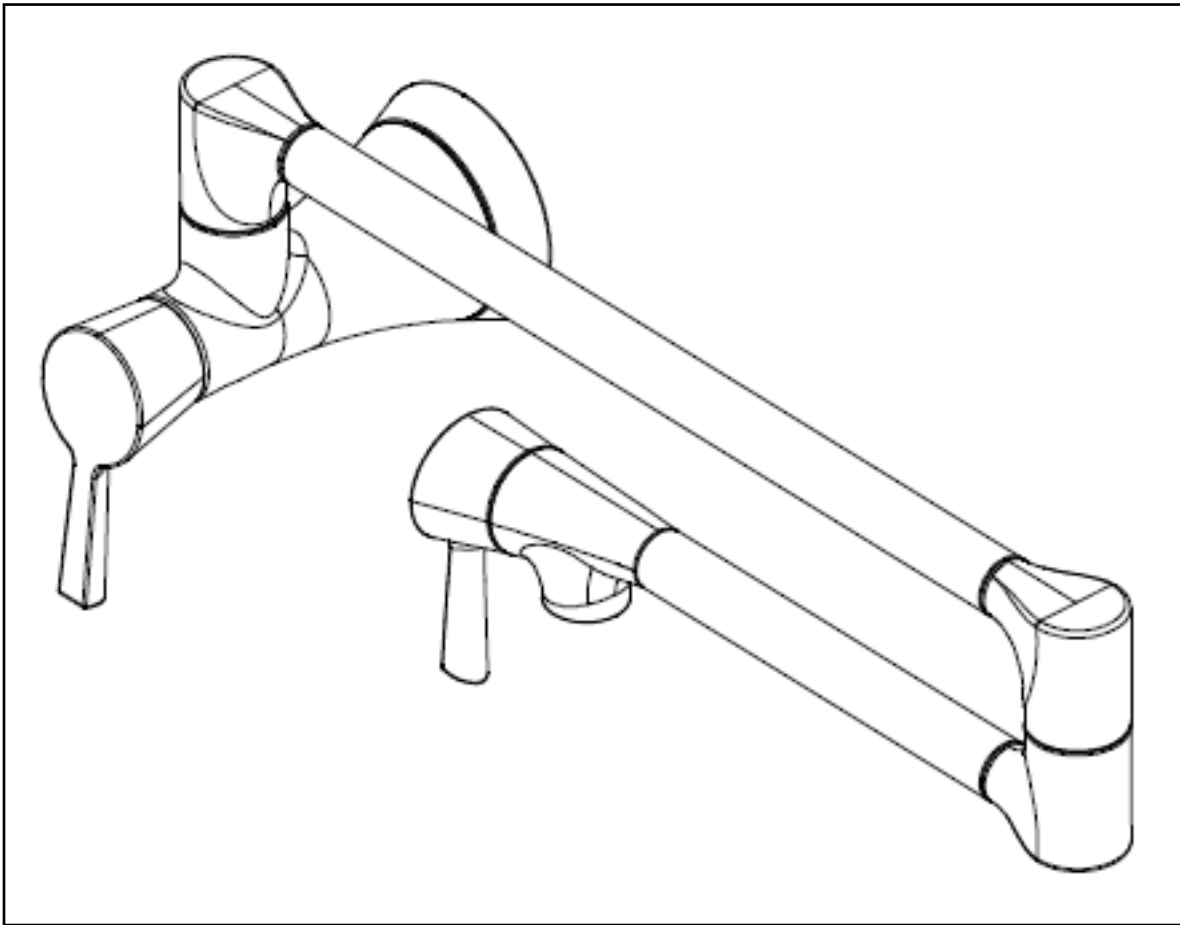


INSTALLATION INSTRUCTIONS NEWPORT BRASS.
WALL MOUNT POT FILLER *Flawless Beauty. From Faucet to Finish.™*
MODEL NO. 2500-5503



Congratulations on the purchase of your Newport Brass product, an excellent choice, that will give you years of quality service and enhance the look and style of your home.

Recommended Installation by a Professional Plumbing Contractor

Note:

- I. Framing support is required for mounting flange to ensure sufficient strength of installation.
- II. While drilling, extreme care should be taken to avoid damage to hidden electrical or plumbing lines.
- III. Pot filler may get hot when arm is positioned above the stove's burner. Swing the pot filler arm away from the stove after use.
- IV. The use of petroleum based plumbers putty on this product will nullify the warranty. We recommend the use of silicone based sealing materials as needed.

Installation:

1. Shut off water supply. Tap into existing cold water supply and run to desired location on the wall. 1/2 NPT connection (not supplied) is required and should protrude 1/2" out from finished wall. Apply thread sealant to protruding end of 1/2 NPT. See **Figure 1**.
2. Center and secure the mounting FLANGE (1) over 1/2 NPT water supply with SCREWS (2) provided. See **Figure 2**.
3. Insert thread SPOUT ASSEMBLY (4) onto MOUNTING FLANGE (3) and thread onto 1/2 NPT water supply. See **Figure 4**.
4. Tighten the SET SCREW (5) to secure SPOUT ASSEMBLY (4) to mounting FLANGE (1). See **Figure 5**.
5. Remove AERATOR (7) from SPOUT ASSEMBLY (4). See **Figure 6**. Turn on water supply and check for leaks. Repair as needed. Open valve and run water through SPOUT ASSEMBLY (4) to remove debris. Check for leaks and make any final adjustments required. Re-attach AERATOR (7) to SPOUT (4).

