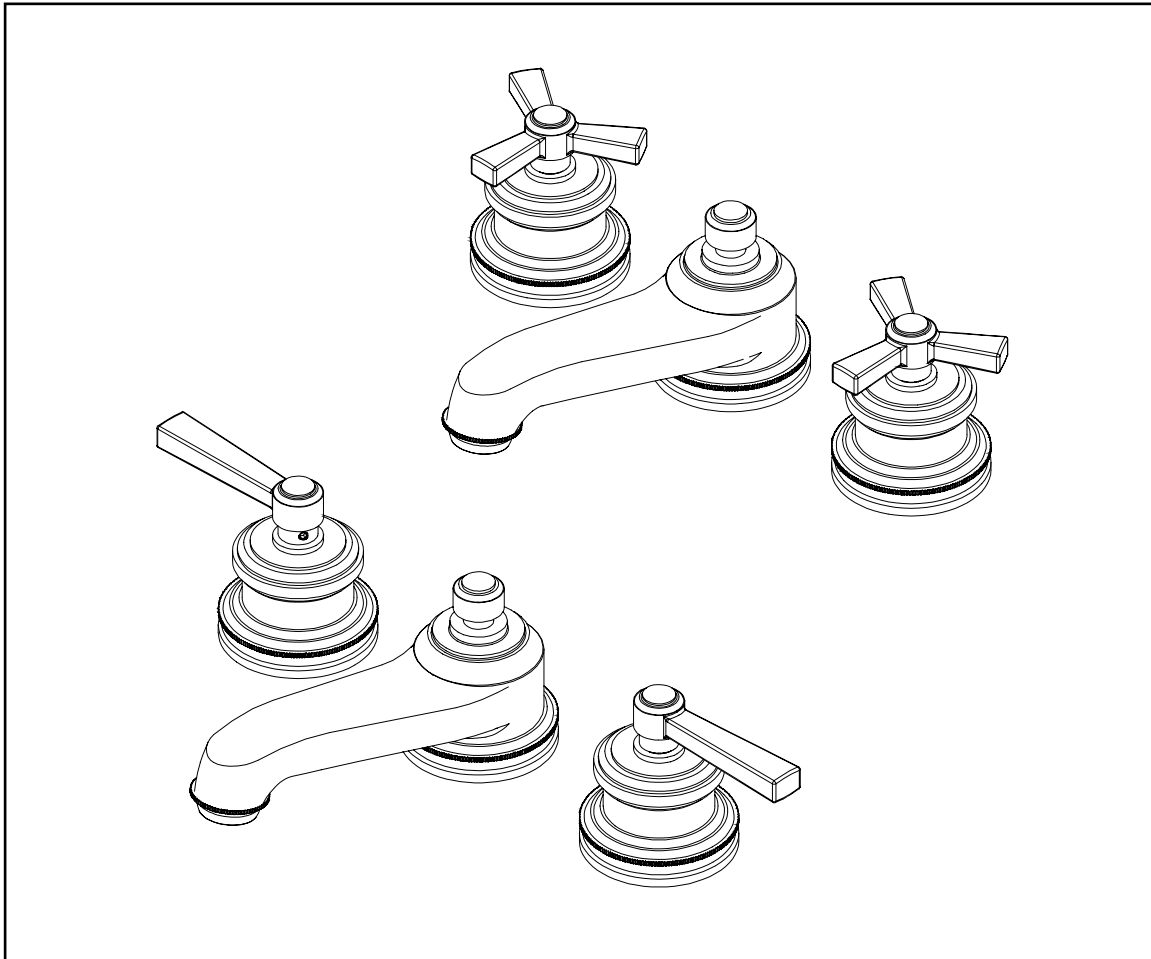


WIDESPREAD LAVATORY SET INSTALLATION INSTRUCTIONS

Model No: I600, I620



**Congratulations on the purchase
of this Newport Brass product,
an excellent choice that will give you
years of quality service and enhance
the look and style of your home.**

Recommended Installation by a Professional Plumbing Contractor

Note: The use of petroleum base plumbers putty on our products will nullify the warranty. We recommend the use of clear silicone sealing materials. Recommended deck thru hole \varnothing 1.25"

1. Place the spout shank through center hole of mounting surface. Secure spout, (spout base ring, if supplied), into place with spout washer and nut. See Fig. 1
2. Place nut & washer on valve body. Insert body, (blue cold & red hot), through hole in the mounting surface. Adjust and secure with additional washer and nut so that the top of valve is 2-1/4" above the top of mounting surface. See Fig. 1
3. Place nylon washer into top of 4-way tee. Slide 4-way tee with nylon washer up against bottom of the spout shank. See Fig. 2
4. Insert rubber washer, then brass washer, onto threaded nipple and into base opening of 4-way tee. Secure with nut. See Fig. 2
5. Connect a flexible hose to side outlet of each valve body. Attach other end of hoses to either side of the tee. (Hand-tighten and secure each connection with a wrench 1/4 turn.) See Fig. 3
6. Attach hot/cold water supply hoses (not included) to appropriate valve, utilizing cone washers, friction rings and nuts supplied. See Fig. 3
7. Attach escutcheon/bonnet and handles. Any adjustments for rotational alignment must be made to the valve body - not to the cartridge. (Note: Allow minimum spacing between handles and escutcheon/bonnet to prevent damage to the surface finish.) Secure handles into place with setscrew. See Fig. 4
8. Remove drain plug from flange. Place flange & white washer through sink drain opening. (Clear silicone may be used in place of white washer.) From bottom side of sink, place cone shaped rubber washer onto flange & slide up against sink bottom. Note: Cone portion of washer to face upward. Next slide on clear flat washer and secure with flange nut. Place clear washer into drain body & tighten to flange. Apply thread sealant to tailpiece and attach to drain body. Attach tailpiece to p-trap drain (not included). See Fig. 5
9. Place drain plug into flange. Insert pop-up rod through spout and secure to strap, approximately 1" from end of rod, with screw.
Insert ball rod into the drain's rod opening, secure with ball rod nut. Adjust the rise of the plunger and clip into place. Adjust ball rod and pop-up rod so drain will open and close properly. See Fig. 6
10. Remove aerator from spout, turn on water supply, and flush both valves until water is clear. Check for leaks and make any final adjustments required. Re-attach aerator to the spout.

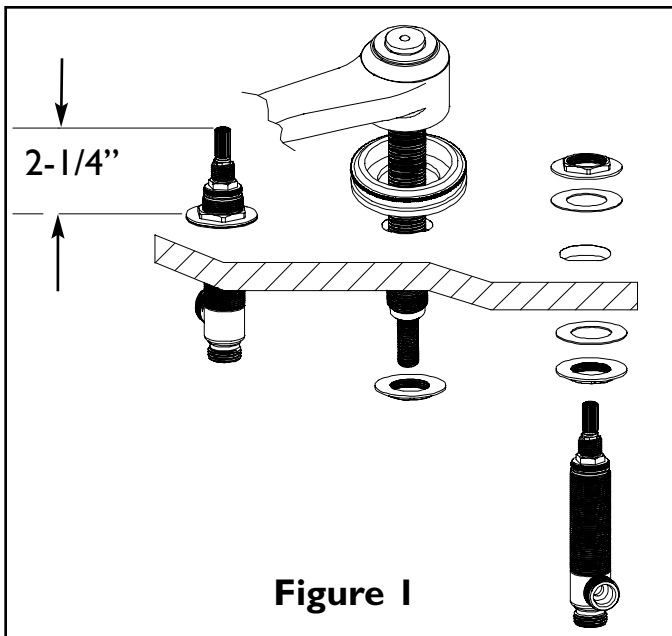


Figure 1

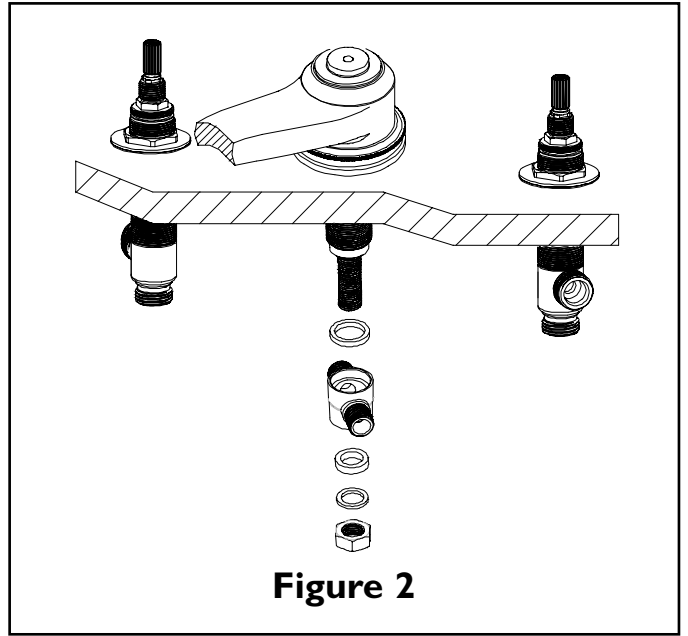


Figure 2

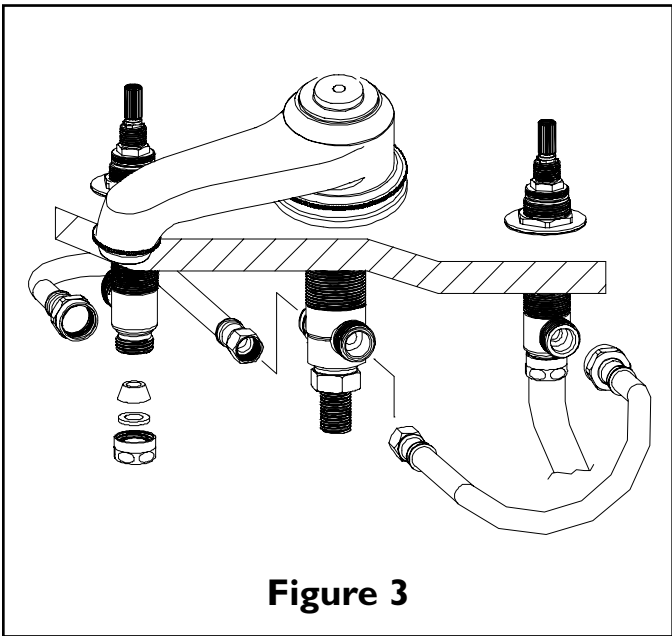


Figure 3

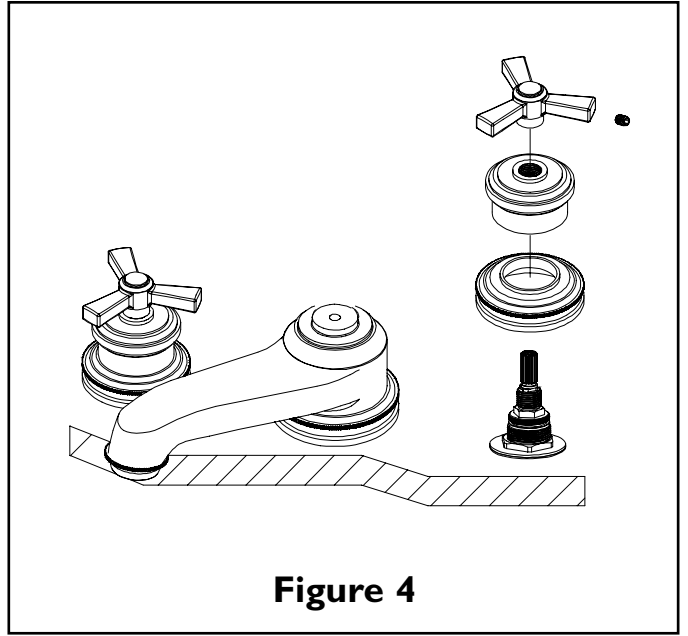


Figure 4

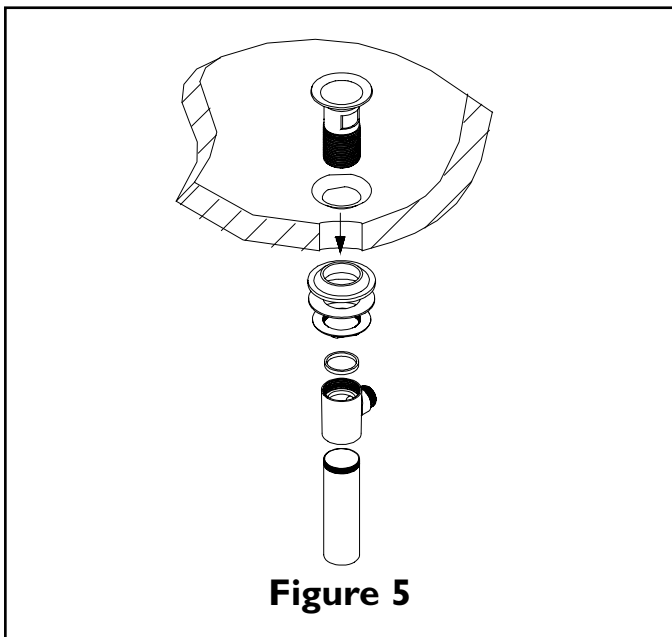


Figure 5

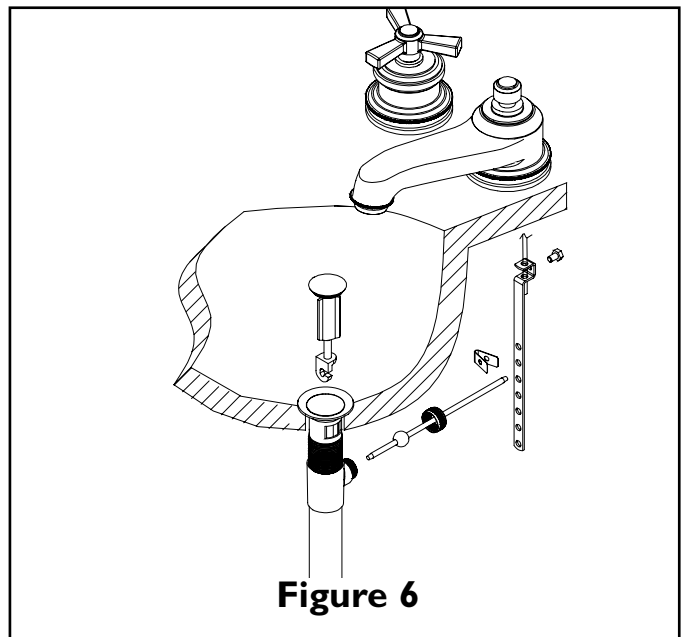


Figure 6

NEWPORT BRASS®

The Luxury of Style

Newport Brass Product Care

Newport Brass faucets and bath fittings are made of solid brass and are of the finest quality. To maintain the finish on these items, please:

- **Do not use any abrasive cleaners, detergents, brass or silver polish which will scratch the surface.**
- **Clean with a soft damp cloth.**

Applying a coating of a non-abrasive liquid wax to the clean surface of the product will keep it looking beautiful. Brass ProTech, a product of Brasstech, Inc., can be used on all types of decorative painted and plated finishes.

Simply apply Brass ProTech with a soft cloth and let it dry. Then remove by rubbing gently with a soft dry cloth. Brass ProTech contains no harsh abrasives.

We highly recommend using Brass ProTech on items finished in Satin Nickel (15S), Polished Nickel (15), Polished Silver (25) and Satin Silver (25S).

Do not allow soap scum or minerals in water to build up on the surface finish of your faucets or bath fittings (including toothpaste). These will gradually eat into any finish and diminish the beauty of your Newport Brass products.

Warranty

Newport Brass products are warranted to the original purchaser for a period of 10 years in all finishes except as follows: Forever Brass (01) P.V.D., Satin Bronze (10) P.V.D., Polished Chrome (26), Stainless Steel (20) P.V.D., Oil Rubbed Bronze (10B), and powder-coat colors have a lifetime warranty. Uncoated finishes such as: Uncoated Brass (03N), Weathered Brass (03W) and Weathered Copper (08W) have no finish warranty.

The warranty period starts from the date of shipment to the original purchaser. Kitchen, bath or lavatory drains of all types, due to abuse to which they may be subjected, are warranted as follows: powder-coated colors, Polished Chrome (26), Satin Chrome (26D), Oil Rubbed Bronze (10B), Forever Brass (01) or Stainless Steel (20) - 1 year. In all other finishes - no warranty on the finish for these products.

Ceramic disc valves (lavatory, tub/shower, and roman tub valves) have a lifetime warranty. Other valve types (balance pressure, thermostatic, etc.) are warranted for one year from the date of purchase on mechanical operations.

Product problems attributable to abuse, misuse, improper installation, hard water, maintenance or accidental damage are not covered by this warranty. No repairs or replacements will be made under such circumstances except at customer's expense. Liability under all warranties expressed or implied is limited to replacement of non-conforming goods only.

Flush pipes prior to installation

Solder and other debris may damage ceramic discs. Cartridges are factory set at 14-16 lbs. torque.