

Model NH Series Direct Vent Hydronic Boiler Specification Sheet

- **Standard Input** - gas consumption ranges from 55,500 to 150,000 BTU/h for NH150-DV and 55,500 to 199,900 BTU/h for NH199-DV
- **Standard Output** - 45,500 to 122,400 BTU/h for NH150-DV and 45,500 to 163,100 BTU/h for NH199-DV
- **Operating Flow Range** - flow rates from 4.0 gpm up to 17.0 gpm
- **Compact Design** - ANSI Z21.13a/CSA 49a certified design that can be wall-mounted indoors
- **Durable Steel Casing with Polyester Coating**
- **Heat Exchanger** - manufactured with commercial grade copper
- **Venting Options** - available in Direct Vent (-DV) that uses 4" Category III stainless steel pipe at both intake and exhaust
- **Direct Electronic Ignition**
- **AFUE** - 83.0% for NG and 82.8% for LP models (NH150-DV)
82.7% for NG and 83.0% for LP models (NH199-DV)
- **Temperature Controls** - includes remote thermostat that can precisely adjust the output temperature from 140°F to 180°F (2 temperature settings, one for DHW and the other for the heating system)
- **Safety Devices** - Flame Sensor, Overheat Prevention Device, Lightning Protection Device, Freeze Protection, Fan Rotation Detector, Boil-Dry Safety and Protection Device
- **Additional Features** - Flow Switch Activation, Indirect Hot Water Priority, Dual Temperature Control, Temperature Lockout, Pump Controls, High Elevation Adjustment, Outdoor Reset Control (*NEW!*)
- **Included Accessories** - Pressure & Temperature Gauge, Safety Relief Valve, Anchoring Screws, Auxillary Terminals, Grundfos UP 26-99F 3-Speed Circulator Pump, Outdoor Reset Sensor
- **10-Year* Limited Heat Exchanger Warranty**
- **1-Year Limited Parts Warranty**
- **Approvals** - CSA, ASME, Low NOx Approved By SCAQMD



NH Series Boiler



Outdoor Reset
Control



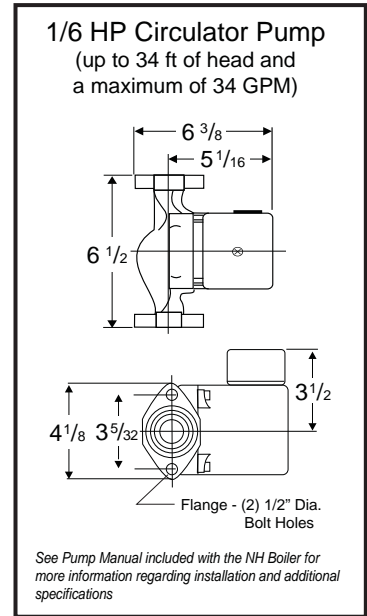
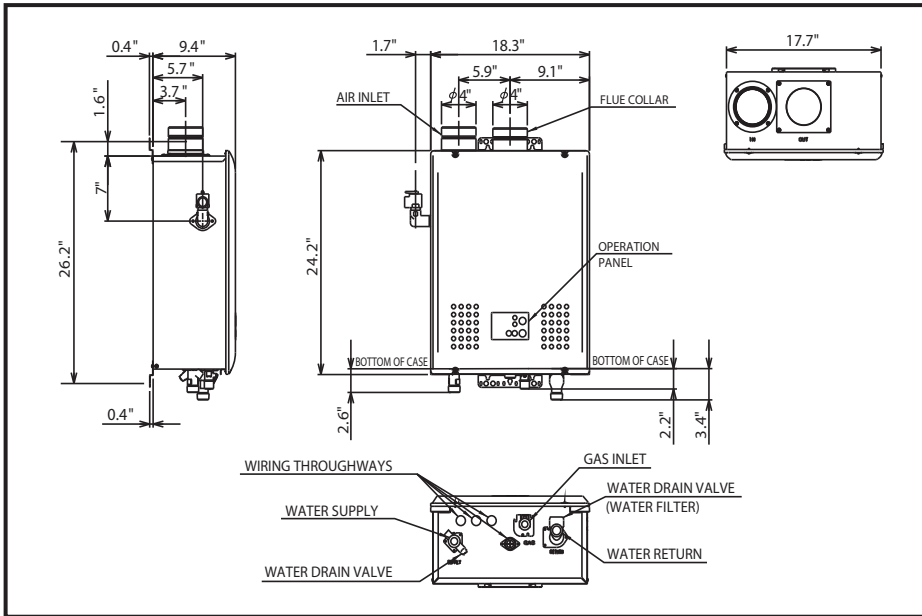
Circulator
Pump

Model	
NH150 - DV	
NH199 - DV	
Accessories	
<input type="checkbox"/>	Noritz Concentric Termination - Long (#VT4-TL)
<input type="checkbox"/>	Noritz Concentric Termination - Short (#VT4-TS)

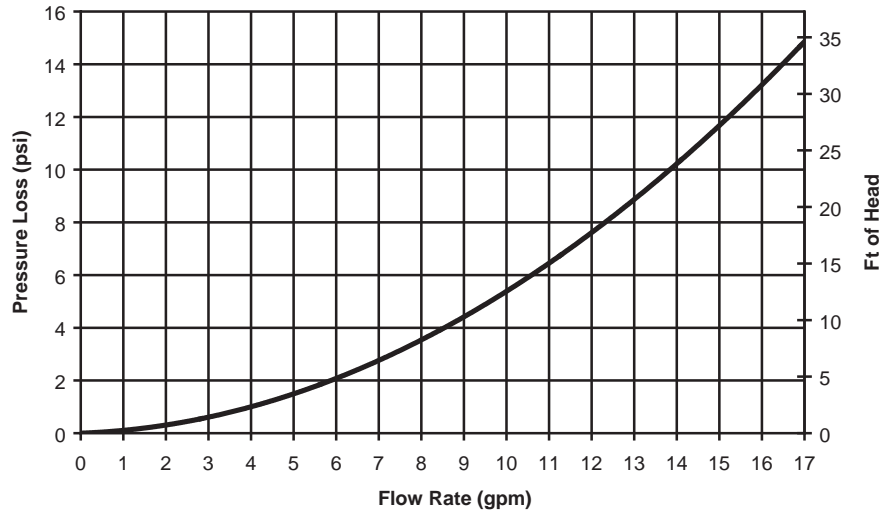


* Heat Exchanger warranty is pro-rated after the first 5 years, refer to the Noritz Limited Warranty for complete coverage details

Dimensions



Pressure Loss



Specifications

Model Name		NH150-DV	NH199-DV
Weight		65 (pounds)	
Water Holding Capacity		0.4 Gallon	
Connection Sizes	Water Inlet	1"	
	Hot Water Outlet	1"	
	Gas Inlet	3/4"	
Power	Supply	120VAC (60Hz)	
	Consumption	NG: 93W LP: 93W	NG: 97W LP: 111W
Freeze Prevention		Indoor: -30°F	
Temperature Settings		140-170°F (In 5°F intervals), 176°F, 180°F (9 Options) / 60-80°C (in 5°C intervals), 83°C (6 Options)	
Approvals		CSA, ASME, Low NOx Approved by SCAQMD	

Boiler Setting	Outdoor Temperature Range	Activation of Outdoor Reset Control	Switch Position	Hot Water Output Temperature
PRIORITY 1	35°F and above	TURNS ON	SWITCH CLOSED	140°F
PRIORITY 2	20°F and below	TURNS OFF	SWITCH OPEN	140°F to 180°F

Operation of Outdoor Reset Control with NH Boiler