

NWH300/NWH300C/NRKRWH300/NRKRWH300C

ROUGH-IN INSTALLATION

READ AND SAVE THESE INSTRUCTIONS



The exclamation point within an equilateral triangle is intended to alert the user to the presence of important operating and maintenance (servicing) instructions in the literature accompanying the product.

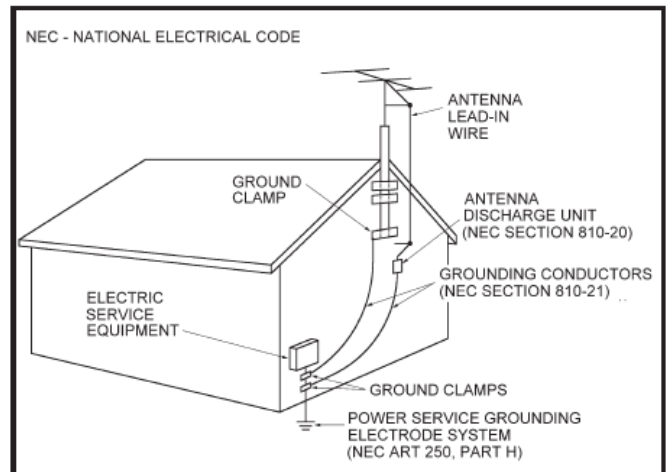


The lightning flash with arrowhead symbol within an equilateral triangle is intended to alert the user to the presence of un-insulated "dangerous voltage" within the product's enclosure that may be of sufficient magnitude to constitute a risk of electric shock to persons.

SAFETY INSTRUCTIONS

TO REDUCE THE RISK OF FIRE, ELECTRIC SHOCK, OR INJURY TO PERSONS, OBSERVE THE FOLLOWING:

1. **READ INSTRUCTIONS** - All the safety and operating instructions should be read before installing or operating the NM200/NM100.
2. **RETAIN INSTRUCTIONS** - The safety and operating instructions should be retained for future reference.
3. **HEED WARNINGS** - All warnings on the appliance and in the operating instructions should be adhered to.
4. **FOLLOW INSTRUCTIONS** - All operating and use instructions should be followed.
5. **WATER AND MOISTURE** - The appliance should not be used near water – for example: near bathtub, washbowl, kitchen sink, laundry tub, in a wet basement, or near a swimming pool, and the like. Doing so can create a fire or shock hazards and void the warranty.
6. **ATTACHMENTS** - Do not use attachments not recommended by the product manufacturer as they may cause hazards.
7. **VENTILATION** - The appliance should be situated so that its location or position does not interfere with its proper ventilation. For example, the appliance should not be situated on a bed, sofa, rug, or similar surface that may block the ventilation openings: or, placed in a built in installation, such as a bookcase or cabinet that may impede the flow of air to the ventilation openings.
8. **HEAT** - The appliance should be situated away from heat sources such as radiators, heat registers, stoves, or other appliances (including amplifiers) that produce heat.
9. **POWER SOURCES** - The appliance should be connected to a power supply only of the type described in the operating instructions or as marked on the appliance.
10. **GROUNDING OR POLARIZATION** - Precautions should be taken so that the grounding or polarization means of an appliance is not defeated.
11. **POWER LINES** - An outdoor antenna should be located away from power lines.
12. **OUTDOOR ANTENNA GROUNDING** - If an outside antenna is connected to the receiver, be sure the antenna system is grounded so as to provide some protection against voltage surges and built up static charges. Section 810 of the National Electrical Code, ANSI/NFPA No. 70 1984, provides information with respect to proper grounding of the mast and supporting structure, grounding of the lead in wire to an antenna discharge unit, size of grounding conductors, location of antenna discharge unit, connection to grounding electrodes, and requirements for the grounding electrode (see figure).
13. **OBJECT AND LIQUID ENTRY** - Never push objects of any kind into this product through openings as they may touch dangerous voltage points or short out parts that could result in a fire or electric shock. Never spill liquid of any kind on the product.
14. **SERVICING** - The user should not attempt to service the appliance beyond that described in the operating instructions. All other servicing should be referred to qualified service personnel.
15. **DAMAGE REQUIRING SERVICE** - The appliance should be serviced by qualified service personnel when:
 - The power supply cord or the plug has been damaged; or
 - Objects have fallen, or liquid has been spilled into the appliance; or
 - The appliance has been exposed to rain; or the appliance does not appear to operate normally or exhibits a marked change in performance; or
 - The appliance has been dropped, or the enclosure damaged.
 - When the product exhibits a distinct change in performance – this indicates a need for service.



16. REPLACEMENT PARTS - When replacement parts are required, be sure the service technician has used replacement parts specified by the manufacturer or have the same characteristics as the original part. Unauthorized substitutions may result in fire, electric shock, or other hazards.

17. SAFETY CHECK - Upon completion of any service or repairs to this product, ask the service technician to perform safety checks to determine that the product is in proper operating condition.

18. WALL OR CEILING MOUNTING - The product should be mounted to a wall or ceiling only as recommended by the manufacturer.

WARNING

THESE INSTALLATION AND SERVICING INSTRUCTIONS ARE FOR USE BY QUALIFIED PERSONNEL ONLY. TO REDUCE THE RISK OF ELECTRIC SHOCK, DO NOT PERFORM ANY SERVICING OTHER THAN THAT CONTAINED IN THE OPERATING INSTRUCTIONS UNLESS YOU ARE QUALIFIED TO DO SO.

- Do ensure that all instructions have been followed before power is applied to system.
- Do use only NuTone systems brand cable (except for Cat-5 & RG-6) as called out in these instructions. The cable is designed and constructed with electrical specifications necessary for proper audio performance.
- Do use only a damp cloth to clean the exterior plastics on the NM200/NM100 master and remote stations. Do not use liquid or aerosols.
- Do make gradual bends of the cable where necessary, no sharper than 1" radius.
- Do dress the cables neatly with cable ties or Velcro™ wraps. Use loose or moderate pressure.
- Do use cable-pulling lubricant only for cable runs that may otherwise require great force to install. When cable lubricant is used, read the instructions to be sure it is compatible with the cable jacket material (PVC or FEP).
- Do avoid stressing cable conductors, limit pulling tension to 25 pounds or less as specified by EIA/TIA-568A standard. Pull cables gradually and with constant tension, taking care not to crush or pinch bundles.
- Do use grommets to protect the cable where passing through metal studs or anything that can possibly damage them.
- Do test every installed cable run with a cable tester. "Toning" alone is not acceptable.
- Do label every termination point. Use a unique identifier for each cable run. It will make moves, adds, changes, and troubleshooting easier.
- Do support horizontal cable bundles using board supports, J-hooks, or cable trays.
- Do have signal cables cross at right angles to power cables to minimize induced interference.
- Do always obey all local and national fire and building codes. Be sure to "firestop" all cables that penetrate a firewall. Use plenum-rated cable where mandated.

- Do follow the grounding and bonding requirements established by Electrical Code TIA standard 607, and equipment manufacturer's specifications.
- Do not locate the NM200/NM100 master or remote stations in an exterior wall.
- Do not locate the NM200/NM100 master or remote stations in any wall cavity with any other electrical wiring in the cavity.
- Do not attach non line-level audio devices or non NuTone authorized equipment to the system.
- Do not power up master until all speakers and stations are connected.
- Do not splice or repair cables damaged during wire pulling, install a new cable.
- Do not coil or bundle the cables. This can cause electronic feedback.
- Do not over-tighten the screws for the volume controls, speakers, or the intercom master to prevent cracking.
- Do not install any station or speaker cables inside the 120 VAC transformer enclosure.
- Do not tie cables to electrical conduits or lay cables on electrical fixtures. Keep cables at least 16" away from fluorescent lights, HID light fixtures, or dimmers.
- Do not allow the cable to be sharply bent or kinked at any time.
- Do not install cables "taught" in the ceiling or elsewhere. A good installation should have cables loose, but never sagging.

CAUTION: WIRING

- A licensed electrician must run a 120V AC line from a dedicated 15-amp breaker to the NWH300/C rough-in transformers.
- Use CAT-5 wire for all NM200 wire runs excluding the door station runs. For the door station, use the cable that is included with the NWH300 or NWH300C rough-in.
- Individual wire runs should not exceed more than 350 FEET of wire from any single remote or door station to the NM200 master or 1000 total feet for the entire system.
- Label all wiring runs. Connecting the wires to the NM200/NM100 master, remote station or door station incorrectly may result in system damage.
- Run a single cable from the master unit location to each remote station and door station in a "home run" fashion. Do not loop cable from one remote station to another.
- Do not staple cables. Staples cause shorts.
- Do not splice cables. Splices are unreliable and defeat the signal isolation properties of the cables.
- Keep cables at least 18 inches away from fluorescent light fixtures, dimmer controls, and all other wiring. This includes AC wiring, security cable, and other control wires. These can cause a "hum" or "buzzing" sound.
- Keep cables away from objects such as heating and air conditioning ducts, metal construction plates, and anything else with sharp edges that can damage the cables.

CAUTION: REMOTE STATION ROUGH-IN

Careful consideration should be used when determining the location of the remote stations. DO NOT install these devices in the following locations:

- Do not install remote stations in or near return air ducts.
- Do not install remote stations in exterior walls. Insulation materials will change speaker range and efficiency. Temperature changes in the wall will reduce speaker life.
- Do not install remote stations in saunas. They will not withstand the extreme heat and moisture.
- Do not install remote stations in stud cavities with other wiring or appliances.
- Do not install remote stations within 10 feet of other remote stations or the NM200/NM100 master unit. This will cause acoustical feedback.
- Do not install remote stations in stud cavities with other remote stations or the NM200/NM100 master unit. This will cause acoustical feedback.
- Do not install remote stations facing other remote stations or the NM200/NM100 master unit. This will cause acoustical feedback.
- Do not install remote stations within 18 inches of dimmers, fluorescent light fixtures, security wiring and other control wiring.
- Be sure that all remote station rough-ins are level and oriented as shown in these instructions.

Failure to adhere to these instructions can cause equipment malfunction and void any warranty covered by NuTone.

INSTALLATION

To ensure that the homeowner receives the high-quality music and voice reproduction that the system is designed to deliver, it is important that each step of the installation be carefully completed by a qualified installer. In the event you need troubleshooting assistance, please call our technical support staff at 1-888-336-6151.

The NM200 rough-in installation should be made during new construction prior to drywall installation.

Rough-in housings are used to mount the NM200/NM100 master station, indoor and outdoor remote stations, door stations, and in-wall speakers.

Tools required:

- Power drill with 1" auger
- #2 Phillips screwdriver
- Wire stripper/cutter
- Tape measure
- Level

The NM200/NM100 can be installed with or without an NC300 CD player. Two rough-in kits are available for each type of installation.

The Model NWH300 kit shown in the next figure includes:

- One metal rough-in for NM200/NM100
- One FM Dipole Antenna
- 25 feet of AM Antenna Wire with a Ferrite Filter
- 75 feet of NW4S Shielded Door Station Cable
- Four 1-1/2" snap-in bushings
- One NA300TA Transformer



The Model NRKRWH300 kit shown in the next picture includes:

- One metal wall housing for NM200/NM100
- One NRKR300D Door Station Rough-in
- One NRKF200P Flush-mount Rough-in
- Four NRKR200R Rough-ins
- One FM Dipole Antenna
- 25 feet of AM Antenna Wire with a Ferrite Filter
- 75 feet of NW4S Shielded Door Station Cable
- Four 1-1/2" snap-in bushings
- One NA300TA Transformer



The Model NWH300C kit shown below includes:

- One metal rough-in for NM200/NM100 with NC300
- One FM Dipole Antenna
- 25 feet of AM Antenna Wire with a Ferrite Filter
- 75 feet of NW4S Shielded Door Station Cable
- One NA200TA Transformer
- One NA300TA Transformer



The Model NRKRWH300C kit shown next includes:

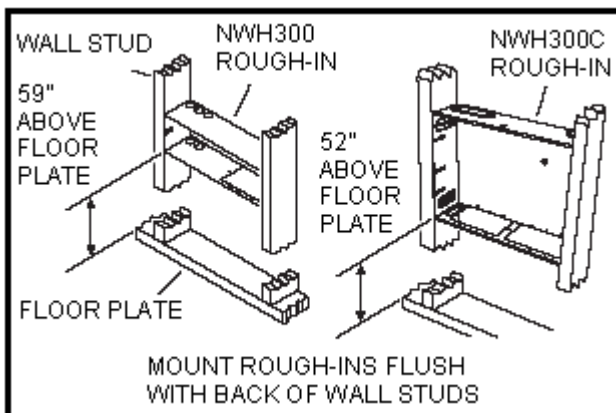
- One metal wall housing for NM200/NM100 with NC300
- One NRKR300D Door Station Rough-in
- One NRKF200P Flush-mount Rough-in
- Four NRKR200R Rough-ins
- One FM Dipole Antenna
- 25 feet of AM Antenna Wire with a Ferrite Filter
- 75 feet of NW4S Shielded Door Station Cable
- One NA200TA Transformer
- One NA300TA Transformer



MASTER STATION ROUGH-IN INSTALLATION

The rough-in mounts between two 16" centered studs and holds the master unit, optional CD player, chime module, and power transformer(s).

1. Determine a location for the rough-in.
2. Position the back side of the rough-in flush with the back of the 2 x 4 studs with the bottom edge approximately 59" above the floor for the NWH300 rough-in or 52" above the floor for the NWH300C rough-in. Make sure the rectangular transformer mounting knockout is on the bottom of the rough-in as shown in the next figure.



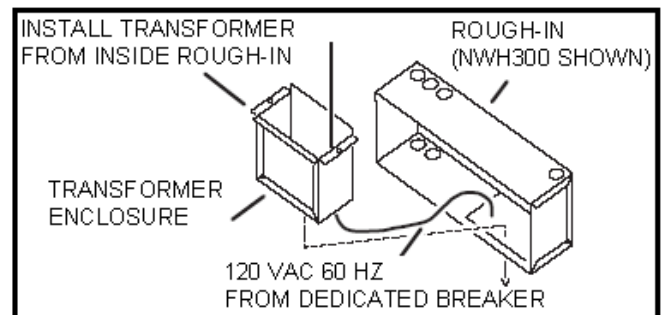
3. Attach the rough-in to the studs with wood screws. If the studs are spaced farther apart than 16", use wood shims to make up the difference. ALWAYS SECURE THE ROUGH-IN ON BOTH SIDES.
4. If using the Model NWH300 rough-in, install the four 1 1/2" snap-in bushings into the knockout holes.

TRANSFORMER INSTALLATION

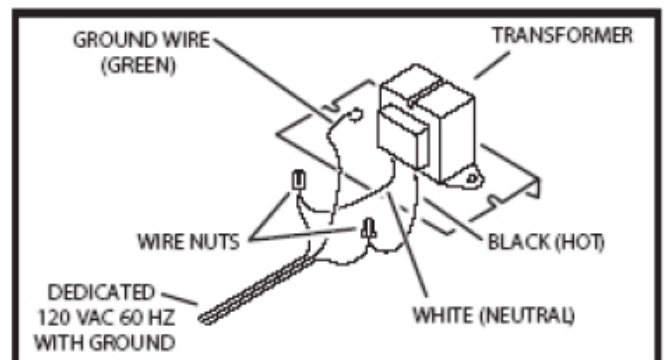
The Model NA300TA transformer powers the NM200/NM100 master. The Model NA200TA transformer powers the optional NC300 CD player. Both transformers are supplied in small metal enclosures that mount to the bottom of the rough-in.



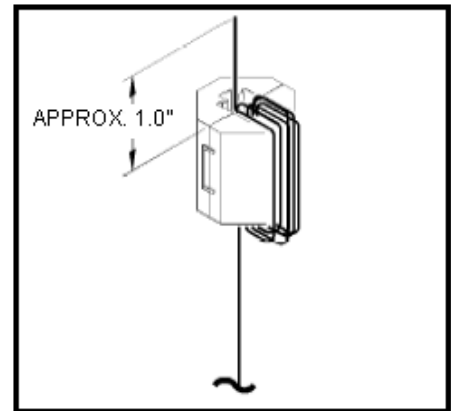
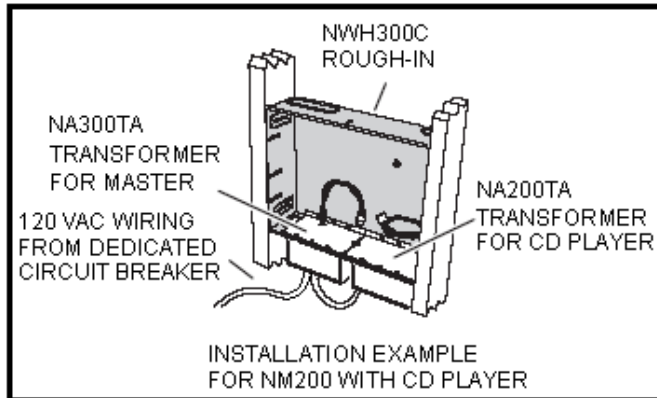
1. Run a 14 AWG 120 VAC power cable (including ground) from a dedicated 15-amp circuit breaker to the rough-in location. The NM200/NM100 requires a dedicated power source to assure there is no interference from other equipment. The ground is required for good radio reception.
2. Slide the transformer enclosure(s) down into the rectangular transformer mounting knockout(s) on the bottom of the rough-in as shown in the next figure.



3. If installing the second transformer for the CD player option, cut a 1 1/2 foot length of power cable to loop between the two transformers. Insert an end of the cable into each of the transformer enclosures through the bottom knockout holes. Use wire nuts to connect the cable to the NA200TA transformer BLACK (HOT) and WHITE (NEUTRAL) input wires. Connect the GREEN (GROUND) wire to the cable's ground conductor.
4. Route the incoming power cable into the NA300TA transformer enclosure through the bottom knockout hole. Use wire nuts to connect the incoming power cable to the NA300TA transformer BLACK (HOT) and WHITE (NEUTRAL) input wires (and to the cable going to the NA200TA transformer if installed). Connect the GREEN (GROUND) wire to the cable(s) ground conductor. See next figure.



5. Be sure all power cables entering the transformer enclosure(s) are secured with cable strain reliefs.
6. Tuck the cables into the transformer enclosure(s) followed by the transformer on its mounting plate. Secure the transformer(s) and enclosure(s) to the rough-in with the screws supplied as seen in the next figure.



2. Fish the long end of the antenna wire up through the right hole in the top of the rough-in, up the stud bay, through a hole in the ceiling plate, and up into the attic. Pull all the wire through until the ferrite filter lays inside the wall housing on the right side as shown in the following figure.

⚠ CAUTION ⚠

THE NM200 HAS A MAXIMUM LOAD CAPACITY OF 15 SPEAKERS (THE TOTAL NUMBER OF INDOOR REMOTE STATIONS, OUTDOOR REMOTE STATIONS, AND SPEAKERS COMBINED) AND THREE DOOR STATIONS. NO MORE THAN TWO SPEAKERS OR STATIONS CAN BE WIRED TO ANY ONE STATION SELECTOR SWITCH. A MAXIMUM OF TWO SPEAKERS OR OUTDOOR (PATIO) REMOTE STATIONS CAN BE WIRED TO THE PATIO SWITCH.

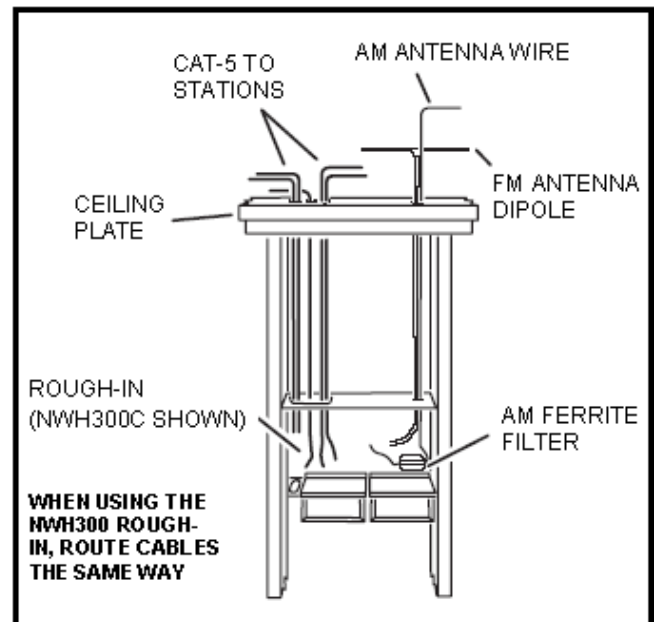
ANTENNA INSTALLATION

The NM200/NM100 requires two antennas, one for AM and one for FM reception. The AM antenna is a simple 25-foot length of wire with an in-line ferrite filter to reduce interference. The FM antenna is a 25 foot length of coax with a "T" shaped wire dipole at one end that attaches between rafters in the attic.

IMPORTANT: Isolate the antenna leads from the intercom station cables by running them through a separate hole in the ceiling plate and through the right hole in the top of the rough-in. If grouped together, the intercom station cables can shield the antenna leads resulting in poor radio reception. Also keep the antenna leads away from metal duct work and aluminum backed insulation, which also can reduce reception.

1. Unroll and examine the 25-foot AM antenna wire. To install the ferrite bead on the AM antenna, open the ferrite bead, grasp the wire approximately 1" from the end of the wire and wrap the wire around the bead a minimum of 6 times. Close and latch bead, as shown in the following figure. This portion of the AM antenna will remain in the rough-in and will connect to the NM200/NM100 AM antenna terminal. The long end of the wire is the antenna that goes up into the attic.

Note: Failure to install the ferrite bead may cause interference with other electronic devices.

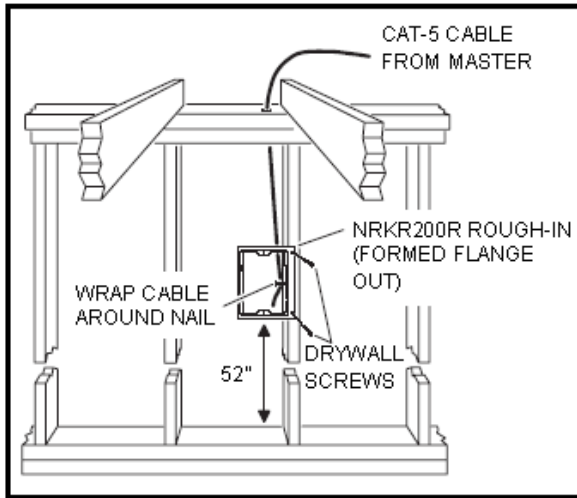


3. Unroll and examine the FM antenna. The antenna is formed by spreading the red and black wires at the end of the coax. The terminal lug at the end of each wire is for screw mounting the wires outstretched.
4. Fish the connector end of the antenna coax down through the hole in the ceiling plate, down the stud bay, and into the hole on the top right side of the rough-in. Leave about one foot of coax extending into the rough-in. See previous figure.

The antenna adjustment and final installation will be completed during the NM200/NM100 master installation.

INDOOR REMOTE STATION ROUGH-IN INSTALLATION

1. At each remote station location, nail or screw a Model NRKR200R Remote Station Rough-in about 52" above the floor level as shown in the next figure.



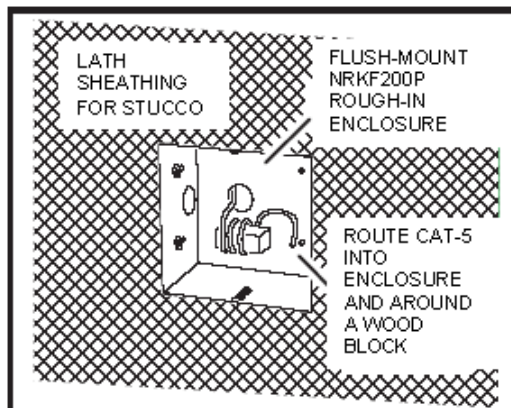
- Route Cat-5 cable from the master rough-in to the remote station location.
- Leave about 12" of extra cable extending at the remote station location. Wrap the cable around a nail at the remote station location to hold it and protect it from drywall damage.
- Bring the other end of the cable into the master rough-in through the top left wiring access hole or slot. Leave about 12" of extra cable extending at the rough-in. LABEL THE CABLE.

⚠ CAUTION ⚠

ANY SPEAKER CONNECTED TO THE NM200 MUST BE 45 OHMS. DO NOT CONNECT ANY 8 OHM SPEAKERS OR DAMAGE TO THE NM200 WILL OCCUR

OUTDOOR REMOTE STATION ROUGH-IN INSTALLATION

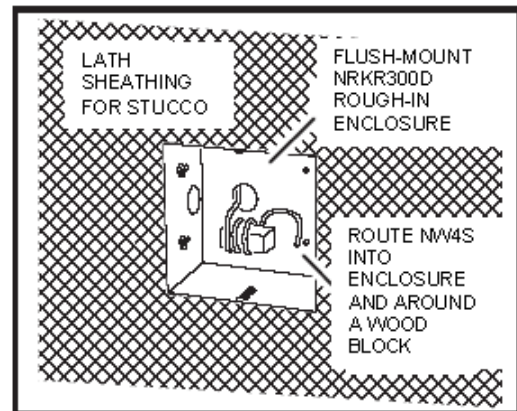
- Route Cat-5 cable from the master's rough-in to each outdoor remote station location.
- At each outdoor remote station location, install a Model NRKF200P Flush mount Rough-in enclosure about 50" above the floor level. Leave about 12" of extra cable extending at the outdoor remote station enclosure. Wrap the cable around a wood block to keep the cable from falling back through the enclosure's knockout.
- Depending on the type of construction, the enclosure can be screwed or nailed to a stud, or in masonry applications just let the enclosure hang on the cable so the brick mason can flush and level it. See next figure.



- Bring the other end of the cable into the master rough-in through the top left wiring access hole or slot. Leave about 12" of extra cable extending at the rough-in. LABEL THE CABLE.

DOOR STATION ROUGH-IN INSTALLATION

- Route NW4S cable from the master rough-in to each door station location.
- At each door station location, install a Model NRKR300D Door Station Rough-in enclosure about 50" above the floor level. Leave about 12" of extra cable extending at the door station enclosure. Wrap the cable around a wood block to keep the cable from falling back through the enclosure's knockout. as seen in the next figure.
- Depending on the type of construction, the enclosure can be screwed or nailed to a stud, or in masonry applications just let the enclosure hang on the cable so the brick mason can flush and level it. For wood, vinyl, or aluminum siding construction, use surface mount housing for the door station. Two surface-mount intercom door station enclosures models are available: Model NES300DBL (black) and NES300DWH (white). Surface-mount enclosures attach to the finished wall using galvanized screws.

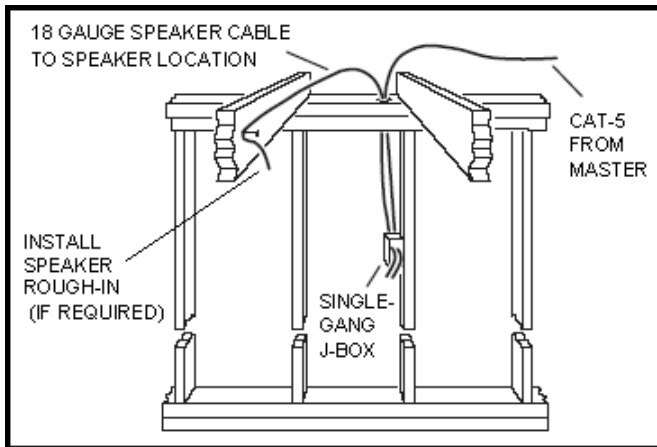


- Bring the other end of the cable into the master rough-in through the top left wiring access hole or slot. Leave about 12" of extra cable extending at the rough-in. LABEL THE CABLE.

MUSIC SPEAKERS

45-ohm speakers can be connected to the NM200/NM100 master to distribute radio or CD sound throughout the installation. Each speaker is controlled by a single NA300MCWH volume control that mounts in a single-gang J-box.

- Route Cat-5 cable from the master rough-in to each speaker's volume control J-box location. LABEL THE CABLE.
- Route 18 gauge speaker cable from each volume control J-box location to each speaker location as seen in the next figure. Secure the cable to avoid drywall damage.
- Install the appropriate speaker rough-in (if required) for each speaker. Follow the speaker's instructions for specific details on dimensions and mounting of the rough-in.



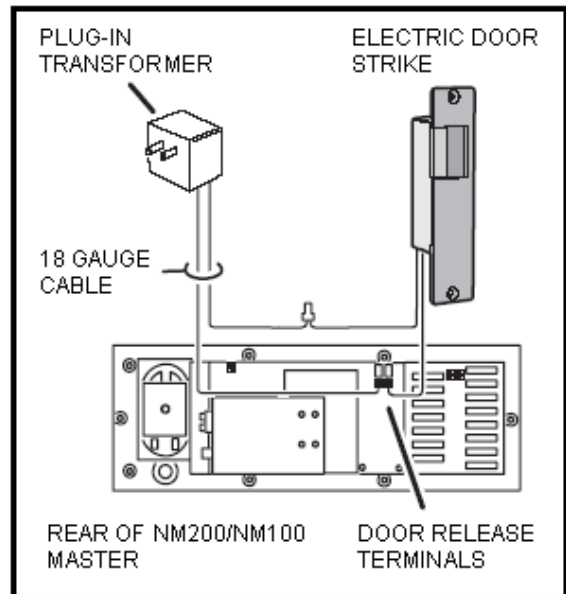
DOOR RELEASE OPTIONS

The door release option is a dry contact closure provided by the NM200/NM100 master. This dry contact is rated 24V at 2 Amps. The sample applications below represent some uses of this option. However, only one application can be used in any NM200/NM100 system at a time.

Door or Gate Release Mechanism

Run a single line of 18 gauge solid copper, twisted pair approved low voltage cable from the NWH300 or NWH300C rough-in to the door release mechanism. Connect the wires to the two wire terminals of the door release mechanism.

Run another single line of the 18 gauge solid copper, twisted pair approved low voltage cable from the NWH300 or NWH300C rough-in location to a gang box next to a 120VAC receptacle where the remote power transformer will be plugged in. Label and secure cables at the rough-in. See example in figure

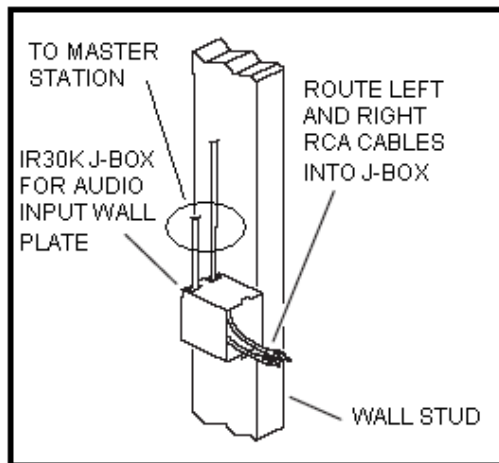


EXTERNAL MUSIC SOURCE

The NM200/NM100 master can play audio from an external source. The NuTone IA30WH Audio Wall Plate features a pair of RCA™ jacks that can be connected to a stereo receiver, television, DVD, or MP3 player. Use the IR30K rough-in kit for mounting the wall plate.

Note: The cable connection from the external audio source to the NM200/NM100 must not exceed 50 feet.

1. At the location for the audio input wall plate, install the IR30K single gang J box at the center height of normal wall outlets. Be sure the J-box extends past the wall stud, into the room, so it will be flush with the drywall when it is applied.
2. Route two shielded RCA™-to-RCA™ cables provided with the IR30K from the J-box location to the NM200/NM100 master rough-in through the top left wiring access hole or slot. Leave about 12" of extra cable extending at the rough-in as shown in the next figure. LABEL THE CABLES.



PANIC INTERFACE WITH SECURITY SYSTEM

Run a line of 18 gauge solid copper, twisted pair approved low voltage cable from the NWH300 or NWH300C rough-in location to the security control panel. Setup the security panel to receive a normally open dry contact for panic operation. (Refer to programming procedures accompanying the security panel). Label and secure cables at NWH300 or NWH300C rough-in. Have a certified security installer hook the NM200/NM100 up to the alarm system.

Two Year Limited Warranty

WARRANTY OWNER: Broan-NuTone warrants to the original consumer purchaser of its products that such products will be free from defects in materials or workmanship for a period of two (2) years from the date of original purchase. **THERE ARE NO OTHER WARRANTIES, EXPRESS OR IMPLIED, INCLUDING, BUT NOT LIMITED TO, IMPLIED WARRANTIES OF MERCHANTABILITY OR FITNESS FOR A PARTICULAR PURPOSE.**

During this two year period, Broan-NuTone will, at its option, repair or replace, without charge, any product or part which is found to be defective under normal use and service. THIS WARRANTY DOES NOT EXTEND TO FLUORESCENT LAMP STARTERS OR TUBES, FILTERS, DUCT, ROOF CAPS, WALL CAPS AND OTHER ACCESSORIES FOR DUCTING. This warranty does not cover (a) normal maintenance and service or (b) any products or parts which have been subject to misuse, negligence, accident, improper maintenance or repair (other than by Broan-NuTone), faulty installation or installation contrary to recommended installation instructions.

The duration of any implied warranty is limited to the two year period as specified for the express warranty. Some states do not allow limitation on how long an implied warranty lasts, so the above limitation may not apply to you.

BROAN-NUTONE'S OBLIGATION TO REPAIR OR REPLACE, AT BROAN-NUTONE'S OPTION, SHALL BE THE PURCHASER'S SOLE AND EXCLUSIVE REMEDY UNDER THIS WARRANTY. BROAN-NUTONE SHALL NOT BE LIABLE FOR INCIDENTAL, CONSEQUENTIAL OR SPECIAL DAMAGES ARISING OUT OF OR IN CONNECTION WITH PRODUCT USE OR PERFORMANCE. Some states do not allow the exclusion or limitation of incidental or consequential damages, so the above limitation or exclusion may not apply to you. This warranty gives you specific legal rights, and you may also have other rights, which vary from state to state. This warranty supersedes all prior warranties.

WARRANTY SERVICE: To qualify for warranty service, you must (a) notify Broan-NuTone at the address or telephone number below, (b) give the model number and part identification and (c) describe the nature of any defect in the product or part. At the time of requesting warranty service, you must present evidence of the original purchase date.

Date of Installation

Builder or Installer

Model No. and Product Description

IF YOU NEED ASSISTANCE OR SERVICE - CONTACT:

Broan-NuTone LLC Hartford, Wisconsin www.nutone.com 888-336-3948
Broan-NuTone Canada Mississauga, Ontario www.nutone.ca 877-896-1119

Rev. 08/2007

Garantie limitée de deux ans

GARANTIE DU PROPRIÉTAIRE: Broan-NuTone garantie à l'acheteur original de ses produits que ces derniers seront exempts de tout défaut de matériaux et de fabrication pour une période de deux (2) ans à compter de la date d'achat. **AUCUNE AUTRE GARANTIE, IMPLICITE OU EXPRESSE, N'EST DONNÉE, Y COMPRIS, MAIS SANS S'Y LIMITER, GARANTIE DE MARCHANDIBILITÉ OU D'ADAPTATION À UN USAGE PARTICULIER.**

Pendant cette période de deux ans, Broan-NuTone procédera au remplacement ou à la réparation sans aucuns frais, mais à sa propre discrétion, de tout produit ou pièce jugé défectueux dans le cadre d'une utilisation normale. CETTE GARANTIE NE VISE PAS LES DISPOSITIFS D'AMORCAGE NI LES TUBES DES LUMINAIRES FLUORESCENTS. Cette garantie ne couvre pas (a) l'entretien et le service courants ni (b) les produits et les pièces ayant fait l'objet d'un usage abusif, de négligence, d'un accident, d'un entretien ou d'une réparation non appropriée (par du personnel non autorisé par Broan-NuTone) d'une mauvaise installation ou d'une installation non conforme aux directives d'installation fournies.

La durée de toute garantie implicite est limitée à la période de deux ans précisée pour la garantie expresse. Certains états ne reconnaissent pas les restrictions relatives à la durée des garanties implicites; il se pourrait donc que cette restriction ne s'applique pas dans votre cas.

LE REMPLACEMENT OU LA RÉPARATION PAR BROAN-NUTONE, À SA PROPRE DISCRÉTION, DE TOUT PRODUIT OU PIÈCE DÉFECTUEUX CONSTITUE LE SEUL REMÈDE DE L'ACHETEUR EN VERTU DE CETTE GARANTIE. BROAN-NUTONE NE PEUT ÊTRE TENUE RESPONSABLE DES DOMMAGES INDIRECTS, CONSÉCUTIFS OU SPÉCIAUX ATTRIBUABLES À UTILISATION OU AU RENDEMENT DU PRODUIT. Certains états ne reconnaissent pas les restrictions ni les exclusions relatives aux dommages indirects, consécutifs ou spéciaux; il se pourrait donc que cette restriction ne s'applique pas dans votre cas. La présente garantie vous accorde des droits spécifiques, mais vous pourriez aussi avoir d'autres droits en fonction de l'état dans lequel vous résidez. Cette garantie remplace toute autre garantie donnée précédemment.

SERVICE SOUS GARANTIE: Pour être admissible au service sous garantie, vous devez (a) aviser Broan-NuTone, à l'adresse ou au numéro de téléphone ci-dessous, (b) fournir le numéro du modèle et la description de la pièce et (c) décrire la nature défaut de la pièce ou du produit. Au moment de la demande de service sous garantie, vous devez fournir une preuve de la date d'achat originale.

Date d'installation

Entrepreneur ou installateur

N° de modèle et description du produit

POUR OBTENIR DE L'ASSISTANCE OU DU SERVICE - CONTACTEZ:

Broan-NuTone LLC Hartford, Wisconsin www.nutone.com 888-336-3948
Broan-NuTone Canada Mississauga, Ontario www.nutone.ca 877-896-1119

Rev. 08/2007

Garantía limitada de dos años

GARANTÍA DEL PROPIETARIO: Broan-NuTone garantiza al comprador consumidor original de sus productos, por el período de dos (2) años desde la fecha original de compra, que tales productos están libres de defectos en material y mano de obra. **NO HAY OTRAS GARANTÍAS, EXPRESADAS O SOBREENTENDIDAS, INCLUYENDO, PERO NO LIMITADAS A, GARANTÍAS NO EXPRESADAS DE MERCHANTABILITY O ADAPTABLES A UN PROPÓSITO EN PARTICULAR.**

Durante este período de dos años, Broan-NuTone reparará o reemplazará a su opción y sin costo, cualquier producto o parte que se encuentre defectuoso bajo condiciones normales de uso y servicio. ESTA GARANTÍA NO CUBRE A LOS ARRANCADORES PARA LÁMPARAS FLUORESCENTES O A LOS TUBOS FLUORESCENTES, FILTROS, DUCTOS, TAPAS DE TECHO, TAPAS DE PARED Y OTROS ACCESORIOS PARA CANALIZACIÓN. Esta garantía no cubre (a) Mantenimiento y servicios normales (b) Productos o partes sujetos al mal uso, negligencia, accidente, mantenimiento inadecuado o reparaciones (por otros ajenos a Broan-NuTone), instalación defectuosa o a una instalación contraria a las instrucciones de instalación recomendadas.

La duración de cualquier garantía no expresada está limitada a un período de dos años según se especifica en la garantía expresada. Algunos estados no permiten limitación en cuanto a la duración de una garantía no expresada, por lo que la limitación arriba indicada puede que no se aplique a Ud.

LA OBLIGACIÓN DE BROAN-NUTONE DE REPARAR O REEMPLAZAR A SU OPCIÓN, SERÁ EL ÚNICO Y EXCLUSIVO RECURSO QUE TENDRÁ EL COMPRADOR BAJO ESTA GARANTÍA. BROAN-NUTONE NO SERÁ RESPONSABLE POR DAÑOS INCIDENTALES, CONSECUTIVOS O ESPECIALES QUE RESULTEN A CONSECUENCIA O SEAN INDEPENDIENTE DEL USO O DESEMPEÑO DEL PRODUCTO. Algunos estados no permiten la exclusión o limitación de daños incidentales o consecuentes, de modo que la limitación o exclusión arriba indicada pueda que no se aplique a Ud. Esta garantía le proporciona derechos legales específicos, y Ud. puede tener otros derechos, los cuales varían de estado a estado. Esta garantía reemplaza a todas las garantías anteriores.

SERVICIO DE GARANTÍA: Para tener derecho al servicio de garantía, Ud. debe (a) Notificar a Broan-NuTone a la dirección o el número de teléfono abajo, (b) indicar el número de modelo y la identificación de la party y (c) describir la naturaleza de cualquier defecto en el producto o parte. Al momento de solicitar el servicio por la garantía, Ud. debe presentar la evidencia de la fecha original de compra.

Fecha de la instalación

Constructor o instalador

Número de modelo y descripción del producto

SI NECESITA ASISTENCIA O SERVICIO - CONTACTO:

Broan-NuTone LLC Hartford, Wisconsin www.nutone.com 888-336-3948
Broan-NuTone Canada Mississauga, Ontario www.nutone.ca 877-896-1119

Rev. 08/2007