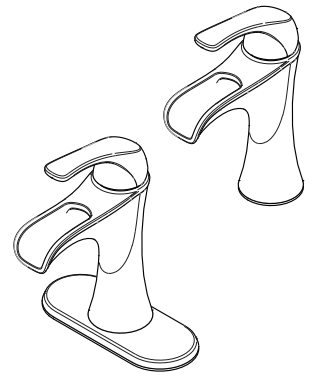


Single Control Lavatory Faucet

- | | |
|--|--|
| F-042-JDCB Finish(CB) <input type="checkbox"/> | F-042-JDCW Finish(CW) <input type="checkbox"/> |
| F-042-JDCC Finish(CC) <input type="checkbox"/> | F-042-JDKK Finish(KK) <input type="checkbox"/> |
| | F-042-JDYY Finish(YY) <input type="checkbox"/> |



- Single Control
- 1 or 3-Hole Installation
- Pforever Seal
- Push and Seal™ Pop-Up

Specifications

Features

- 1 or 3-Hole Installation; Deck Plate or Single Hole Mounting Option
- Push and Seal™ Pop-Up
- Waterfall Through Spout
- Pforever Seal Ceramic Disc Valves
- Pforever Warranty®

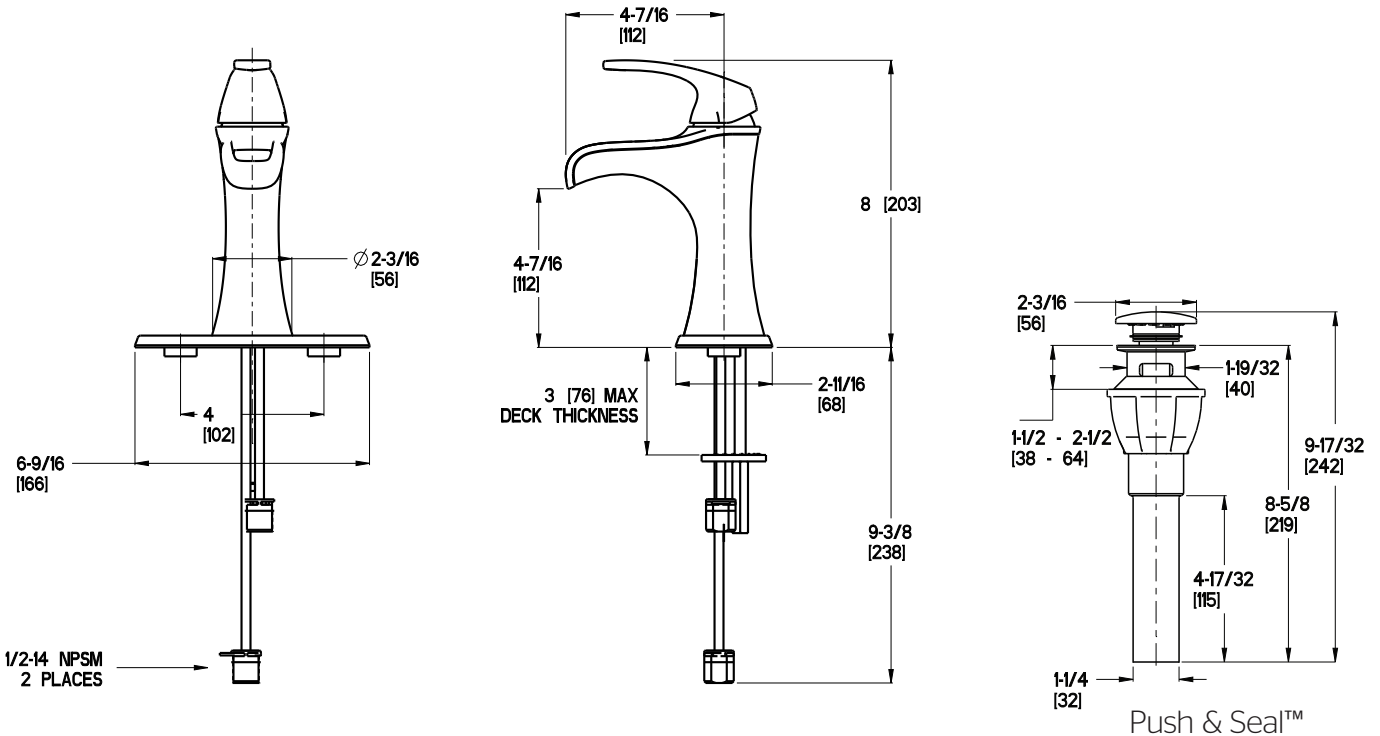
Code Compliance

Pfister products are designed and manufactured in compliance with the following standards and codes:

- IAPMO Certified
- CSA B125 Certified
- ASME A112.18.1
- NSF 61/9 Annex G (Low lead)
- EPA WaterSense Certification 1.5 gpm, 5.7L/Min
- ADA Compliant-ANSI A117.1 (Lever handles only)



Dimensions



Ø1 Min to Ø1-1/2 Max. Deck Hole Openings