

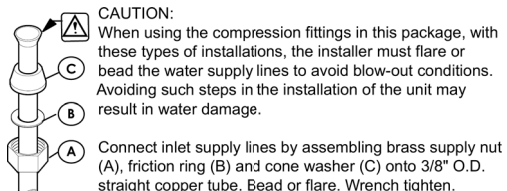
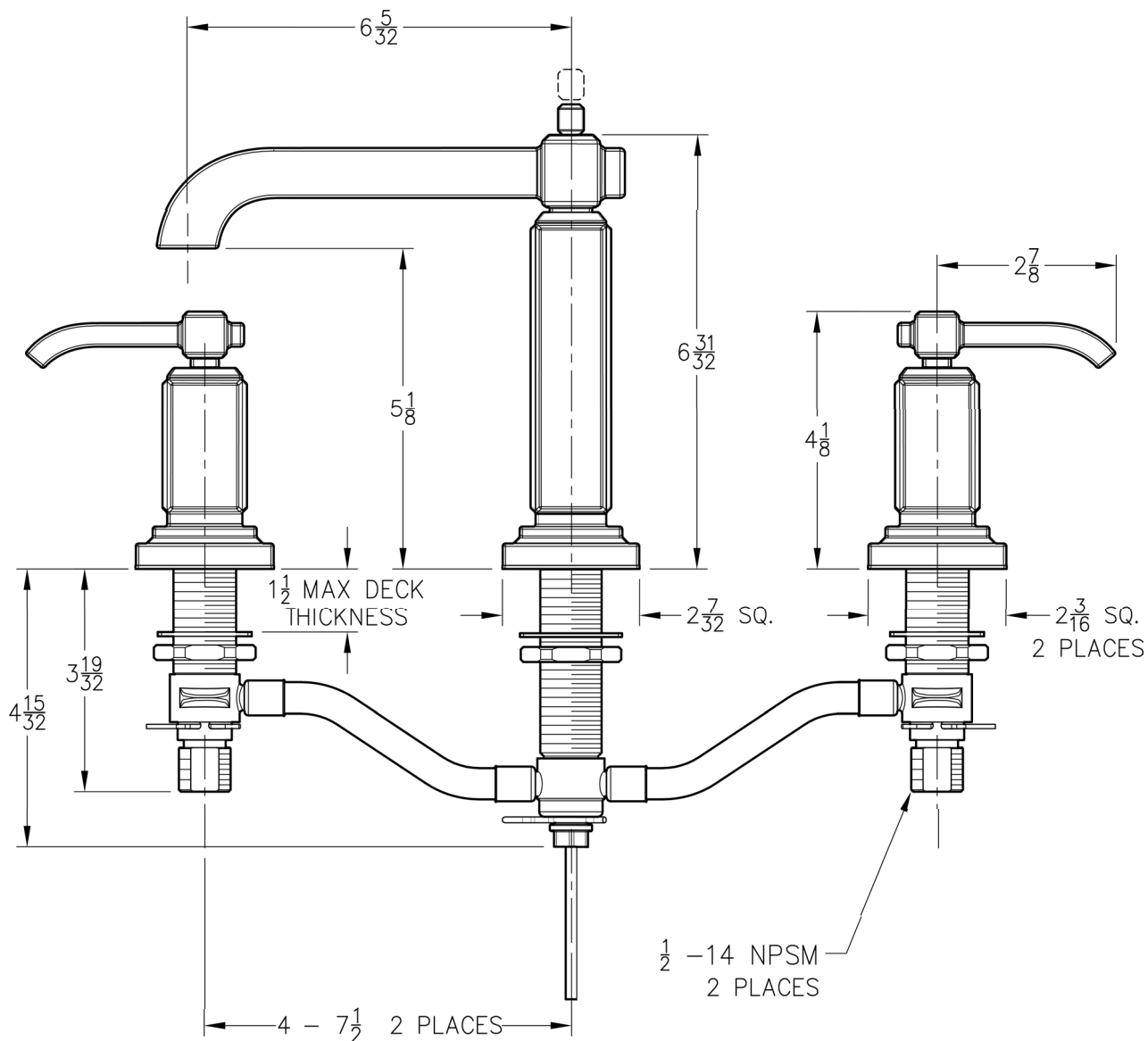
# INSTALLATION DIMENSIONS

## 49 Series

## Carnegie™

### 8"-15" Widespread Faucet

<b>Critical Dimensions:</b>	
Minimum Hole Size	1 1/8 DIA. THRU HOLE 3 PLACES
Valve Centerline to Back Splash	2 7/32 MIN.



Dimensions are in Inches

**1-800-PFAUCET** www.pfister.com  
19701 DaVinci, Lake Forest, CA 92610  
02/18/11

# Pfister™

SS-049-WE-1