

# ASSEMBLY & INSTALLATION INSTRUCTIONS



## SAVINA 27" and 36" WALL MOUNT CONSOLE LAVATORIES

### CONSOLE LAVATORY KITS:

SAVINA 27" with pedestal KIT #24028

SAVINA 36" with pedestal KIT #24038

SAVINA 27" with legs KIT #30058

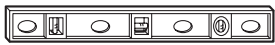
SAVINA 36" with legs KIT #30068

Thank you for selecting our Porcher product. To ensure that your installation proceeds smoothly, read these instructions carefully before you begin. Also, review the recommended tools and materials section. Carefully unpack and examine your new plumbing fixture.

**⚠ CAUTION: CHINA LAVATORIES MAY BE HEAVY AND ARE FRAGILE. USE EXTREME CARE WHEN HANDLING!**  
NOTE: Pictures may not exactly define contour of china and components.

**ALL INSTALLATION PROCEDURES MUST COMPLY IN STRICT ACCORDANCE WITH APPLICABLE LOCAL PLUMBING AND BUILDING CODES**

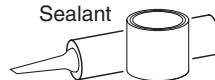
### RECOMMENDED TOOLS AND MATERIALS



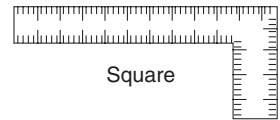
Level



Adjustable Wrench



Sealant



Square



Channel Locks



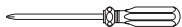
Electric Drill



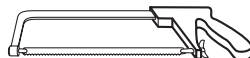
Tape Measure



Tubing Cutter



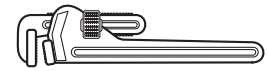
Phillips Screwdriver



Hacksaw



Saber Saw



Pipe Wrench



Regular Screwdriver

### REPLACEMENT USE

When replacing an original unit be sure to shut off water supply *before* removing the unit or disconnecting water supply lines and drain fittings. Original supply lines and shutoff valves should be replaced and used with fittings and adapters to match the hookups on the replacement unit.

**⚠ USE TEFLON SEALANT TAPE ON PIPE THREADS FOR WATERTIGHT CONNECTIONS!**

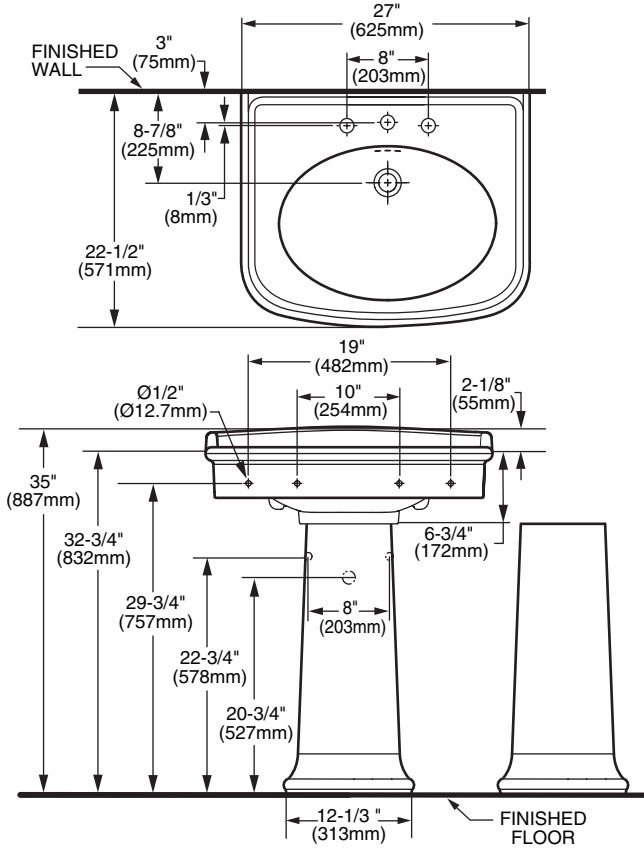
CONSOLE LAVATORY KITS:	Part Number	KIT #24028 27" plus Pedestal	KIT #24038 36" plus Pedestal	KIT #30058 27" plus Legs	KIT #30068 36" plus Legs
Savina 27" Lavatory	20128	X		X	
Savina 36" Lavatory	30128		X		X
Savina Pedestal	21130	X	X		
Savina Console Legs (2)	30120			X	X

SAVE FOR FUTURE USE

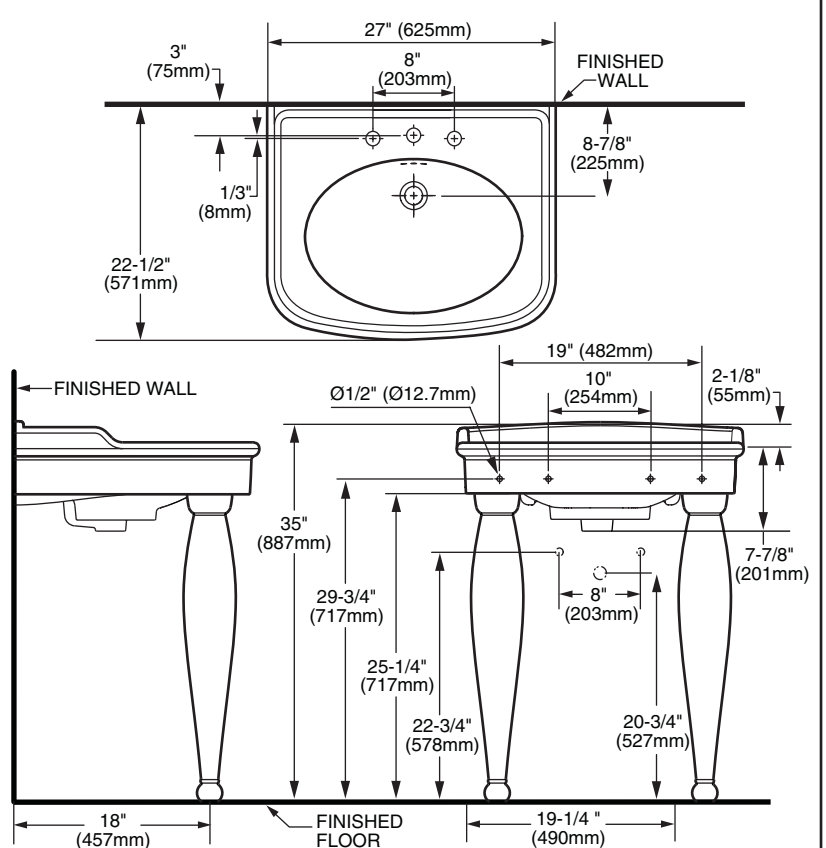
## ROUGH-IN DIMENSIONS

Dimensioning diagrams are provided for each console. Note: dimensions are nominal and may vary within the range of manufacturing tolerances.

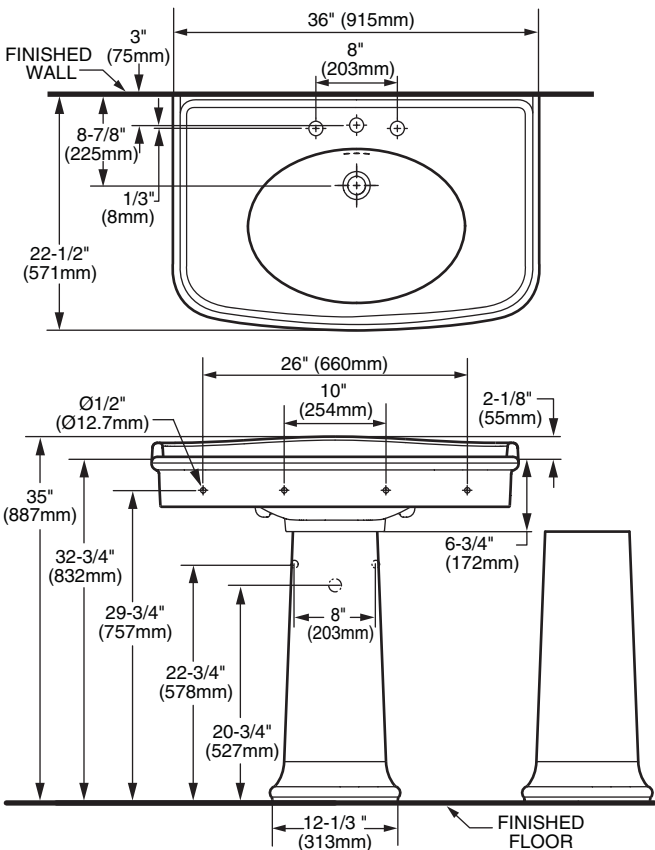
### SAVINA 27" with pedestal KIT #24028



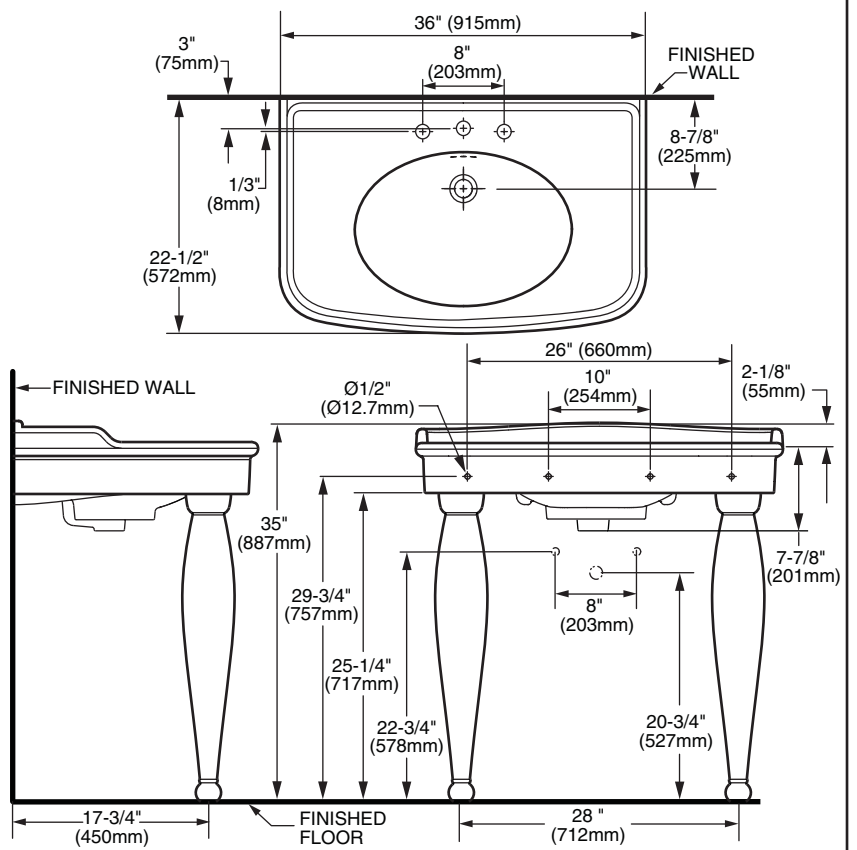
### SAVINA 27" with legs KIT #30058



### SAVINA 36" with pedestal KIT #24038



### SAVINA 36" with legs KIT #30068



# 1 INSTALLATION PROCEDURES

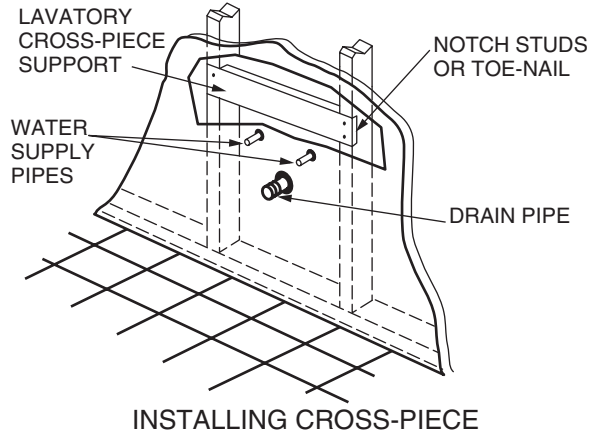
Typical installation includes wall preparation, installation of faucet and pop-up drain, supplies to house water system.

**Lavatory Mounting Provisions** - Whether the lavatory is used for replacement or new installation, the wall area behind the lavatory basin mounting holes must be reinforced to provide secure mounting for the new unit.

## Preparing Wall for Lavatory Mounting

**Optional:** For non-masonry installation, crosspieces must be installed to reinforce the lavatory mounting surface to provide adequate support, install as described below.

1. Remove wallboard/covering from designated area.
2. Toenail 2" x 6" (51mm x 152mm) cross piece between studs (or notch studs to accept a 1" x 6" (25mm x 152mm) crosspiece, and attach securely). Refer to **Rough-In Diagrams** for dimensional location of horizontal crosspiece.
3. Replace wallboard/finished wall media.

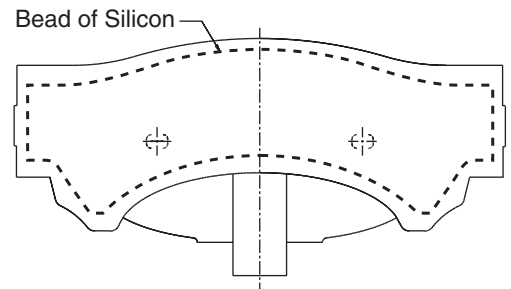


# 2 INSTALLING LAVATORY

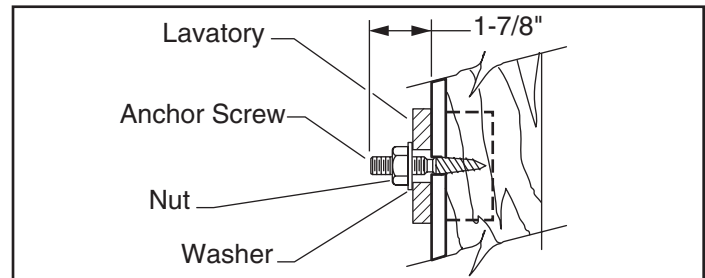
**CAUTION: Lavatories are extremely heavy. For personal safety, always use extra person for installation.**

1. Using level, draw a vertical line starting at the waste water return hole. Draw a horizontal line at the required dimension from floor. Check the dimension placing the lavatory and legs into position. Mark and drill holes at the specified locations or through the mounting holes along the horizontal line.

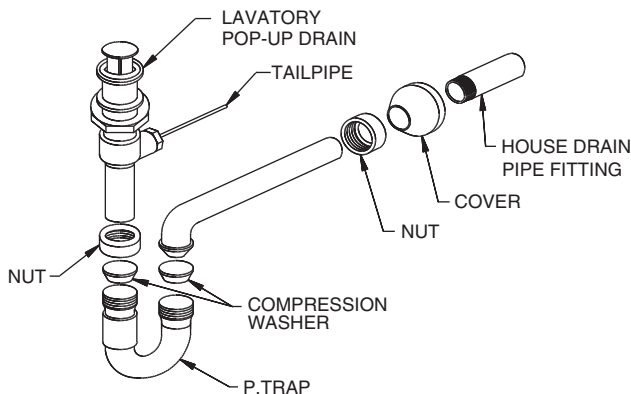
2. Apply a bead of silicon to the back of the lavatory. See Diagram.



3. Mark lavatory screw locations through the mounting holes. Install lavatory anchor screws leaving 1-7/8" threaded end exposed as illustrated.

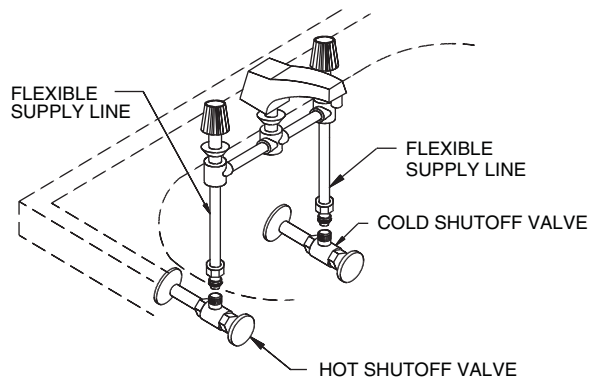


4. Pre-assemble P-trap drain connections in accordance with manufacturer's instructions. Check that pop-up drain opens and closes properly when drain control is operated. Connect supply lines to shutoff valves and loosely install drain connections.



TYPICAL DRAIN CONNECTIONS

## SPREAD LAVATORY SET TYPICAL APPLICATION

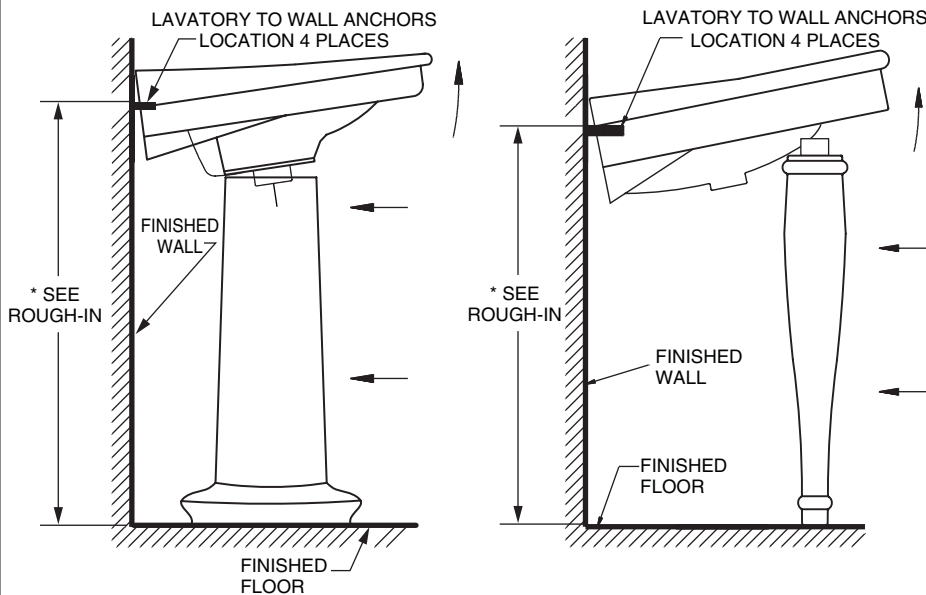


TYPICAL WATER SUPPLY LINE CONNECTIONS

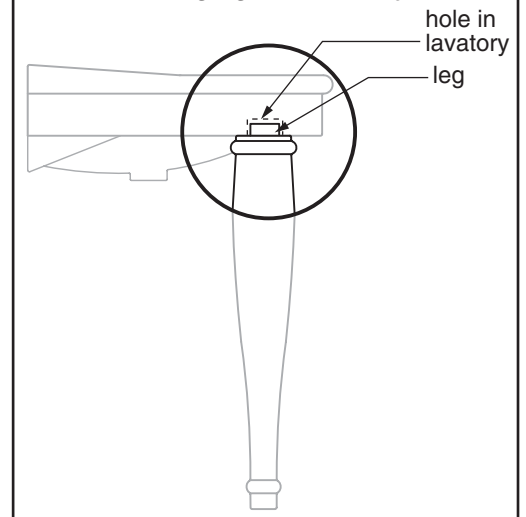
5. Loosely attach the lavatory to the wall at the four anchor locations. Place cushioned adhesive-backed or similar product on the top and bottom of the legs to avoid ceramic damage, floor damage and clattering between legs and lavatory.

## DO NOT OVER-TIGHTEN MOUNTING HARDWARE OR LAVATORY MAY BE DAMAGED!

**Lavatories Installation Note:** Do not tighten nuts at this time, in order to allow the lavatory to swing up enough to permit the insertion of the legs. Insert the legs under the lavatory. Ensure that the lavatory sits evenly against legs. Level lavatory side to side and front to rear, (place a sheet of tissue under level to protect lavatory), then securely tighten mounting nuts. See Diagram Below.



**Note:** Looseness between diameter legs and holes in the lavatory are intentional to allow installation without damaging the lavatory.



5. Install faucet and drain in accordance with manufacturer's instructions. Tighten drain and water supply connections. Turn on water supply valves and water-test installation.

### 3 CARE AND MAINTENANCE

Do not use harsh abrasives or caustic cleaners to clean fixture surfaces. A mild detergent, warm water, and a soft cloth will remove normal dirt and soap accumulations from fittings and surfaces. Rinse thoroughly after cleaning and polish with a soft dry cloth to restore original luster of material.

#### PORCHER ONE-YEAR LIMITED WARRANTY

If inspection of this Porcher plumbing product, within one year after its initial purchase, confirms that it is defective in materials or workmanship, Porcher will repair or, at its option, exchange the product for a similar model.

This warranty **does not apply** to local building code compliance. Since local building codes vary considerably, the purchaser of this product should check with a local building or plumbing contractor to insure local code compliance before installation.

This warranty **shall be void** if the product has been moved from its initial place of installation; if it has been subjected to faulty maintenance, abuse, misuse, accident or other damage; if it was not installed in accordance with Porcher's instructions; or if it has been modified in a manner inconsistent with the product as shipped by Porcher.

Porcher's option to repair or exchange the product under this warranty does not cover any labor or other costs of removal or installation, **nor shall Porcher be responsible for any other incidental or consequential damages attributable to a product defect or to the repair or exchange of a defective product, all of which are expressly excluded from this warranty.** (Some states or provinces do not allow the exclusion or limitation of implied warranties, so this exclusion may not apply to you.)

This warranty gives you specific legal rights. You may have other statutory rights that vary from state to state or from province to province, in which case this warranty does not affect such statutory rights.

For service under this warranty, it is suggested that a claim be made through the contractor or dealer from or through whom the product was purchased, or that a service request (including a description of the product model and of the defect) be sent to the following address:

**In the United States:**

Porcher  
P.O. Box 6820  
Piscataway, New Jersey, 08855  
Attention: Director of Consumer Affairs

For residents of the United States, warranty information may also be obtained by calling the following toll free number: (800) 359-3261

**In Canada:**

Porcher  
2480 Stanfield Road  
Mississauga, Ontario  
Canada L4Y 1S2

Toronto Area: (905) 306-1093  
Toll Free: (800) 387-0369

**In Mexico:**

Porcher  
Planta Santa Clara  
Via Morelos #330  
Santa Clara Coatitla  
Ecatepec de Morelos 55540,  
Estado de Mexico, Mexico