

EPOQUE™ NOUVEAU CLAW FOOT BATHING POOL, 60390

- Formed of cast iron construction
- Claw foot legs with levelers
- Side deck for deck-mounted fittings (owner supplied)
- Customizable tub and feet exterior with enamel based paint
- 52 gallon capacity
- 11-3/8" x 2-1/2" drillable deck. Deck not drilled unless specified by customer



Kit Components:

- 60190 Tub Only
- 85080 Tub Legs (4)

Nominal Dimensions:

67-1/4" x 30-3/4" x 26"
(1710 x 780 x 660mm)

2" Drain
2-1/2" Overflow Hole

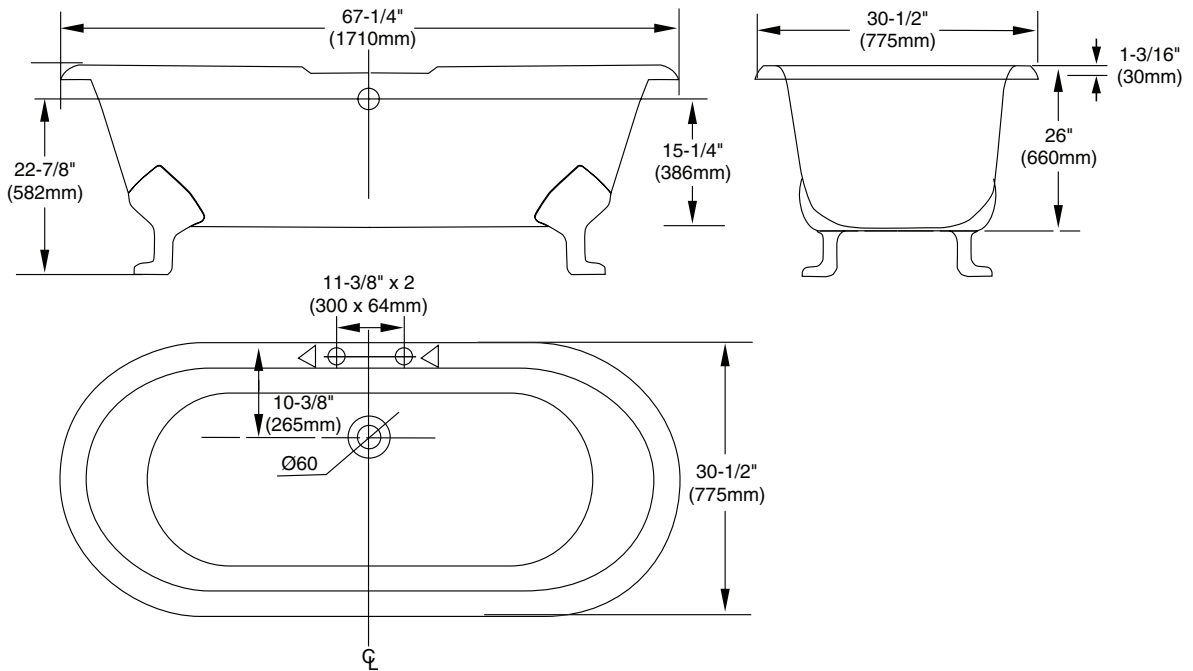
Compliance Certifications – Meets or Exceeds the Following Specifications:

- ASME A112.19.1M-1994

To Be Specified (Optional):

- Exposed lever activated drain – (Metal Plated Exposed Pipe)
 - (Chrome): 85050-00.002; or
 - (Polished Brass): 85050-00.099; or
 - (Brushed Nickel): 85025-00.295; or
 - (Polished Nickel): 85028-00.008

ROUGH IN DIAGRAM AND
PRODUCT SPECIFICATIONS
SHOWN ON REVERSE SIDE



GENERAL SPECIFICATIONS FOR 60390 BATHING POOL	
INSTALLED SIZE	67-1/4" x 30-1/2" x 26" (1710 x 775 x 660mm)
WEIGHT	360 Lbs. (160 Kg)
WEIGHT W/WATER	792 Lbs. (356 Kg)
GALLONS TO OVERFLOW	52 Gal. (197 L)
BATHING WELL AT SUMP	21-1/8" x 50-3/4" (536 x 1290mm)
BATHING WELL AT RIM	25-1/4" x 61" (642 x 1548mm)
WATER DEPTH TO OVERFLOW	14-1/8" (358 mm)
FLOOR LOADING (PROJ. AREA)	76 Lbs./Sq. Ft. (365 Kgs/Sq. m)

NOTES:

BATH CAN BE INSTALLED EITHER ABOVE OR BELOW FLOOR LINE AS PIER, ISLAND OR PENINSULA TYPE INSTALLATION. SUMP OF BATH IS SUPPORTED BY INTEGRAL FEET. NO ADDITIONAL SUPPORT REQUIRED. ENCLOSING MATERIALS BY OTHERS.

- IF INSTALLING A DECK-MOUNTED FITTING, BEFORE DRILLING ANY HOLES: CHECK FOR INTERFERENCE WITH DRAIN OVERFLOW. MOUNTING HOLES DRILLED BY INSTALLER.
- REFER TO INSTALLATION INSTRUCTIONS SUPPLIED WITH WHIRLPOOL FOR ADDITIONAL INFORMATION. FITTINGS NOT INCLUDED AND MUST BE ORDERED SEPARATELY. PROVIDE SUITABLE REINFORCEMENT FOR ALL SUPPORTS.

IMPORTANT: Dimensions of fixtures are nominal and may vary within the range of tolerances established by ASME A112.19.1M-1994. These measurements are subject to change or cancellation. No responsibility is assumed for use of superseded or voided leaflet.