

PORCHER®

ASSEMBLY & INSTALLATION INSTRUCTIONS

ARDENNES Nouveau 5ft CAST IRON BATH

60320-00.001

ROMAINE Nouveau 5ft CAST IRON BATH

with HANDLES 60300-00.001

LOURDES 5-1/2ft CAST IRON BATH

with HANDLES 60330-00.001

Note: Faucets shown are for illustration only and may not be available for purchase



INTRODUCTION

Thank you for selecting our Porcher product. To ensure that your installation proceeds smoothly, read these instructions carefully before you begin. Also, review the recommended tools and materials section. Carefully unpack and examine your new plumbing fixture for shipping damage before installation. If any such damage is found, report it to your vendor immediately.

IMPORTANT SAFETY PRECAUTIONS

⚠ TO REDUCE THE RISK OF INJURY

1. The water in your bathtub should not exceed 104° Fahrenheit. Lower water temperatures are recommended for extended use (exceeding 10-15 minutes) and are definitely recommended for younger children.
2. Pregnant, or possibly pregnant, women should consult a physician before using to obtain advise on water temperature and immersion time.
3. Avoid bathing immediately after meals.
4. The use of alcohol, drugs or medication, before, or during bathing may lead to unconsciousness with the possibility of drowning. Consult your physician before bathing if you are using any medication.
5. Persons suffering from obesity, or with a medical history of heart disease, low or high blood pressure, circulatory system problems or diabetes should consult a physician before bathing.

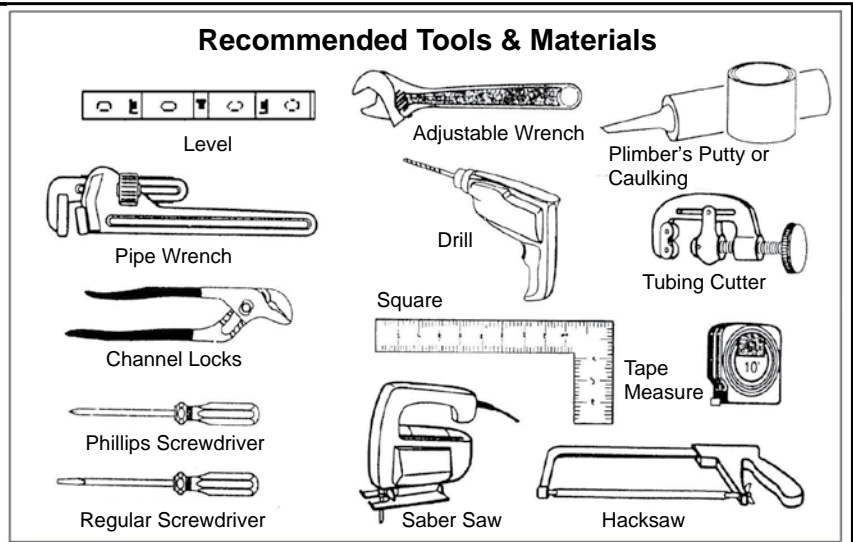
⚠ RISK OF CHILD INJURY

To reduce the risk of injury or accidental drowning, do not permit children to use the bathtub unless they are closely supervised at all times.

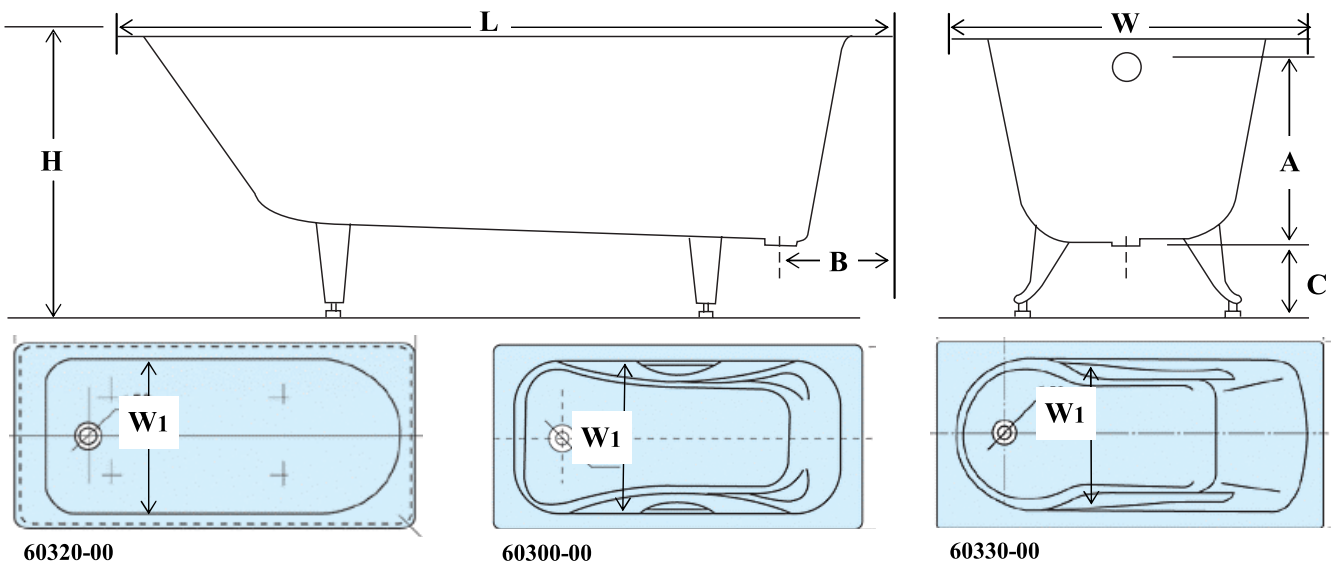
RECOMMENDED TOOLS AND MATERIALS

Most of the procedures require the use of common tools and materials, which are available from hardware and plumbing supply stores. It is essential that the tools and materials be on hand before work is begun.

Note: Sealant should be applied to all through holes.



DIMENSIONS AND DIAGRAMS



GENERAL SPECIFICATIONS FOR PORCHER CAST IRON BATHTUBS

Table 1.

Note: Dimensions are nominal and may vary within the range of manufacturing tolerances

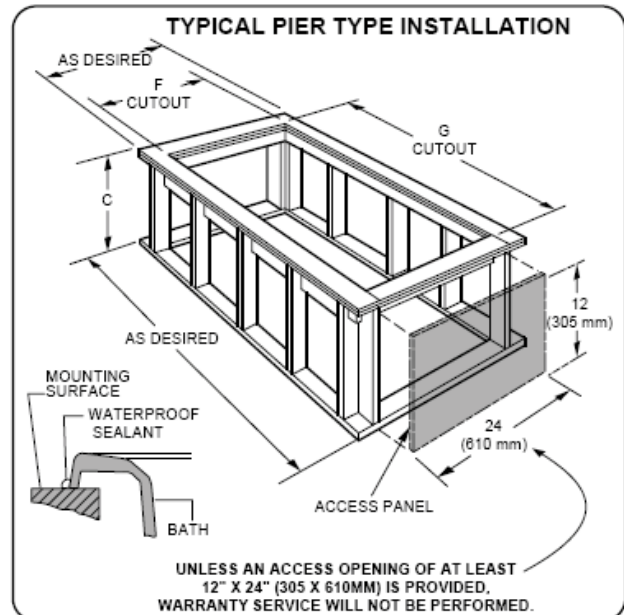
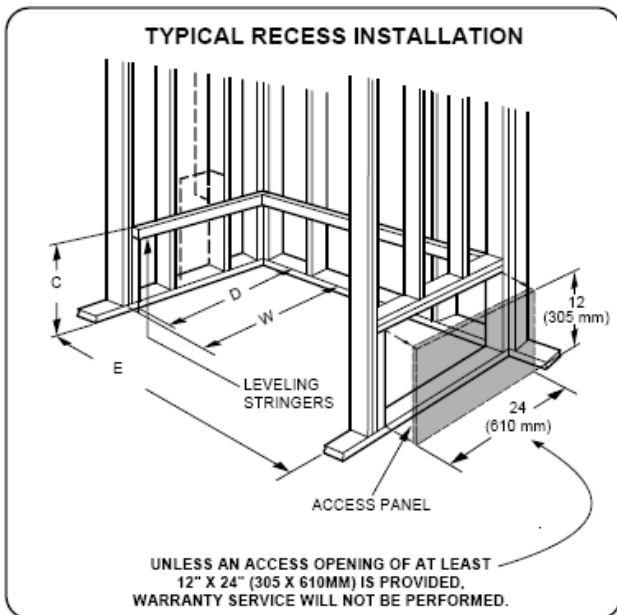
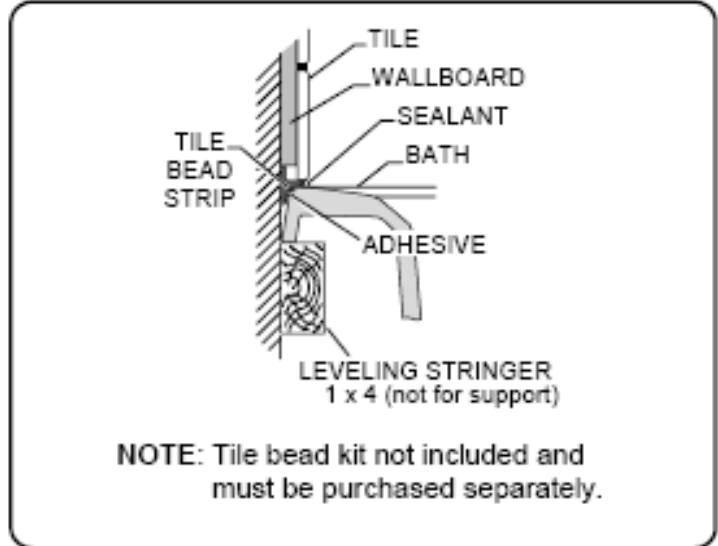
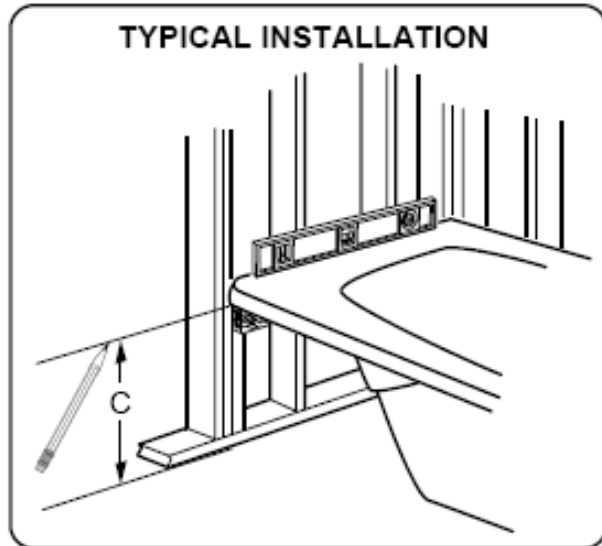
Description	Dimensions L—W—H ins (mm)	Drain / Overflow	Height to Underside of Drain: C	Cut Out PIER G x F	Cut Out RECESS E x D	Product Weight Lbs (Kg)	Gallons (Litres) To Overflow	Grab Bars
Ardennes Nouveau 5ft 60320-00	L 59 (1500) W 27-3/4 (705) H Max 22-1/4 (564) H Min 19-5/8 (500) W1 22-3/8 (570)	A 13-3/8 (341) B 10-5/8 (270)	Max XXX (xxx) Min 000 (000)	57-1/2 x 26-1/4 (1460 x 666)	59-3/16 x 26-1/4 (1503 x 666)	243 (110)	39 (148)	No
Romaine Nouveau 5ft 60300-00	L 58-7/8 (1495) W 29-1/2 (750) H Max 21-3/4 (554) H Min 19-1/4 (490) W1 23-5/8 (600)	A 12-7/8 (326) B 12 (305)	Max XXX (xxx) Min 000 (000)	57-3/8 x 28 (1460 x 711)	59-1/16 x 28 (1500 x 711)	265 (120)	29 (148)	Yes 2
Lourdes 5 1/2ft 60330-00	L 66-1/2 (1690) W 31-1/2 (800) H Max 22-1/4 (564) H Min 19-5/8 (500) W1 24-3/4 (630)	A 12-3/4 (325) B 11-3/4 (300)	Max XXX (xxx) Min 000 (000)	65 x 30 (1650 x 1950)	66-11/16 x 30 (1695 x 762)	298 (135)	46 (174)	Yes 2

REPLACEMENT USE

When replacing an original bath, be sure to shut off the water supply *before* removing unit or disconnecting water supply lines and drain fittings. Original supply lines and shutoff valves should be replaced and used with fittings and adapters to match the connections on the replacement units.

INSTALLATION DIAGRAMS

See Page 2 - Table 1 for Dimensions



Recess Installation Note

For recess type installation, locate studs and ensure proper dimensions and that studs are plumb and square. Attach leveling stringers to studs at the height indicated. See diagram above and Table 1.

Pier Installation Note

For pier type installation, construct framing ensuring correct dimensions as specified. See diagram above and Table 1.

INSTALLATION PROCEDURES

- ⚠ CAUTION: CAST IRON BATHTUBS ARE EXTREMELY HEAVY.
FOR PERSONAL SAFETY, ALWAYS USE EXTRA PERSONNEL FOR INSTALLATION.**

Typical installation includes installation of house drain, floor riser, hot and cold water supply lines, shutoff valves, and fittings. Installations may require floor and wall preparation or support framing.

- ⚠ INSTALLATION OF DRAIN MUST BE PERFORMED BEFORE BATH IS PLACED INTO POSITION AND INSTALLED.**

- ⚠ ALL INSTALLATION PROCEDURES MUST COMPLY IN STRICT ACCORDANCE WITH APPLICABLE LOCAL PLUMBING AND BUILDING CODES**

FRAMING SUPPORT PREPARATION

A variety of installations are possible for this bath and may require framing procedures other than those shown. Locate studs as required and ensure roughing-in dimensions are correct, plumb and square. The sump of bath is supported by integral feet, no additional support required.

Important Note:

- ⚠** After inspection and during installation, protect the bathtub from construction damage.
- ⚠** Ensure in all installations to provide provisions for an access opening for servicing plumbing unless an access opening of at least 12" x 24" (30.5cm x 61cm) is provided, warranty service will not be performed.
- ⚠** Ensure that the floor structure beneath the bathtub will support the total weight of the bathtub, water and bather.
- ⚠** Do not hang the bathtub by the rim.
- ⚠** After installation, and before enclosing with wallboard, tile etc., water-test the unit and check for leaks.

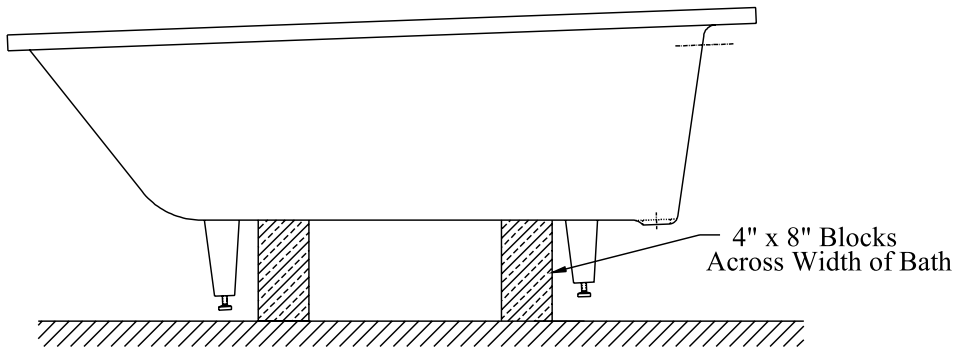
STEP 1. Determine type and location of installation and ensure that you have the sufficient room for the specified dimensions. Ensure that there is room for the access opening. Also provide clearance notches in frame for reinforcing ribs cast onto the bathtub.

STEP 2. Construct support framing.

INSTALLING BATH

STEP 3.

Install the leg brackets and adjustment screws to bath by placing bath on 4" x 8" blocks. (Two 4" x 4" blocks nailed together will give you the necessary height for installation). Install leg brackets to bath, then screw in the adjustment legs to level the bathtub. See diagram below.



STEP 4.

Install 1½" (3.8cm) diameter house drain and ½" (1.3cm) diameter floor riser. Install hot and cold water supply lines and shutoff valves. Ensure when installing house drain that it is centered with bath drain, (when bath is placed in position), and is accessible for service through access panel. Ensure you have matched all correct dimensions. See diagram and Table 1, Page 2.

STEP 5.

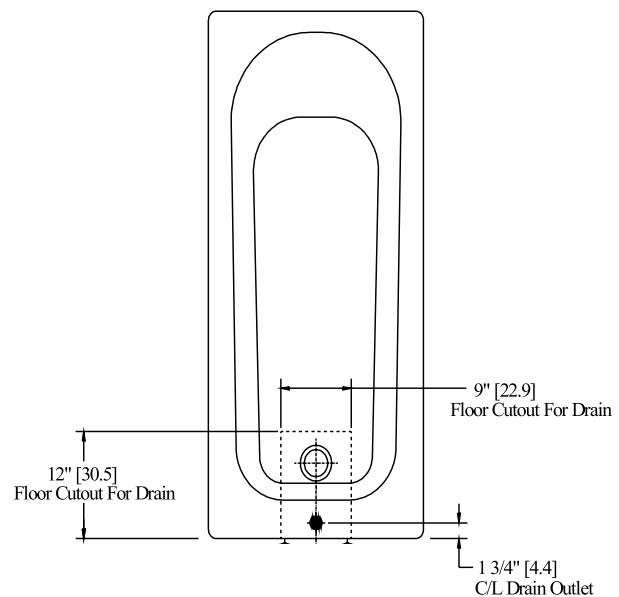
Install the drain components to the bathtub (*this must be performed before bath is placed into position*) following the drain installation instructions.

If the drain / overflow of the bathtub extends below the bottom of the bathtub then a cut out is required in the floor.

Before placing your bathtub for final installation, be certain that an opening has been provided in the sub-floor for the drain. See diagram and Table 1 for suggested opening size and location dimensions.

Carefully position bath in framing, adjusting feet accordingly, so that the rim of the bath contacts the leveling stringers, or pier, *but supports no weight*. Any finished material, such as tile or wallboard, must be self-supporting if it contacts the rim of the bath.

▲ The floor structure beneath the bathtub must be able to support the total weight of the bathtub, water and bather (refer to Table 1) under total weight for your model.

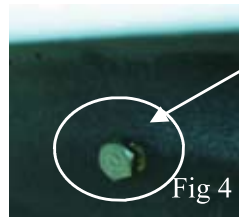


STEP 6. - Romaine Nouveau & Lourdes bathtubs only.

Mount the grab bars. (*Grab bars have to be installed before tub is positioned in frame*).

Position gasket on grab bar, use a smear of silicone sealant to hold gasket in place (Fig 1).

Align grab bar with holes in bathtub and hand tighten bolts (Fig 2). Note order of washers: Flat washer adjacent to bathtub wall (Fig 3). When alignment is correct tighten bolt and apply sufficient silicone sealant to bolt head and surrounding area to make watertight seal (Fig 4). See illustrations.



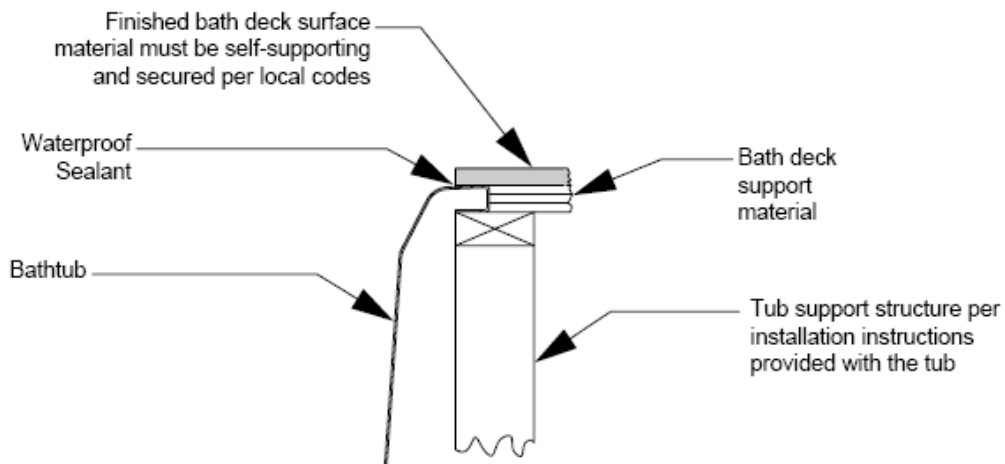
Apply silicone sealant to this area.

STEP 7. Carefully remove construction debris from bath. Clean surfaces using soft cloth with warm water. Water-test the bath and check for leaks.

UNDER-DECK MOUNTING INSTRUCTIONS.

Please note that care must be taken to protect the surface of the tub during all aspects of the installation. Do not drill or cut the bath deck with the tub directly beneath it, as damage to the tub may result.

1. Install the tub as per the installation instructions provided with the unit.
2. Prepare the bath deck support structure as per the local codes.
Note: The bath deck must be self supporting.
3. Cut the bath deck to your specifications.
4. Place the bath deck in position and trace the opening on the tub with a soft pencil.
Do not drill or cut the bath deck with the tub directly beneath it as damage to the tub may result.
5. Remove the bath deck and apply a generous bead of waterproof sealant on the outer edge of the traced line.
6. Replace the bath deck and secure it into place.
7. Apply additional sealant along the tub and bath deck interface as necessary to ensure a water tight seal
8. Remove excess sealant as per the manufacturers instructions.



CARE AND MAINTENANCE

The anti-slip surface of this bathtub meets or exceeds the requirements of ASTM-F-462 for slip resistance.

▲ DANGER: Improper maintenance or cleaners may permanently remove the slip-resistant surface of Porcher® bathtubs.

GENERAL CLEANING

Porcelain enamel is a highly durable, glass-like material that has been fused to a metal surface under extremely high temperatures. While it is resistant to heat, acids, and alkaline, it is not acid proof.

DO NOT use materials containing acids like vinegar. Fruit juices, or milk should be cleaned and washed away immediately.

DO NOT use abrasives cleaners, such as “Compound disinfectants. These are **NOT RECOMMENDED** and could dull the tubs finish.
Regular cleaning materials include “Palmolive, Dawn”, or liquid laundry detergent can be used.
For trouble stains use “NO-RINSE SPIC & SPAN, ZUD, OR KRC-7”.

DO NOT use steel wool, wire brushes, metal scrapers or abrasive sponge pads to clean Porcher® bathtubs

DO NOT use polish / buffing machines on the anti-slip surface.

FIXTURE LIMITED WARRANTY

If inspection of this Porcher plumbing product, within one year after its initial purchase, confirms that it is defective in materials or workmanship, Porcher will repair or, at its option, exchange the product for a similar model. This warranty applies to the original customer only and must have Original Proof of Purchase. Any customizing work carried out by the customer or the customer's agent is not covered by this warranty. The re-firing, welding or alteration of this product by purchaser will null and void this warranty.

This limited warranty does not apply to local building code compliance. Since local building codes vary considerably, the purchaser of this product should check with a local building or plumbing contractor to insure local code compliance before installation.

This warranty shall be void if the product has been moved from its initial place of installation; if it has been subjected to faulty maintenance, abuse, misuse, accident or other damages; if it was not installed in accordance with Porcher's instructions; or if it has been modified in a manner inconsistent with the product as shipped by Porcher.

Porcher's option to repair or exchange the product under this warranty does not cover any labor or other costs of removal or installation, nor shall Porcher be responsible for any other incidental or consequential damages attributable to a product defect or to the repair or exchange of a defective product, all of which are expressly excluded from this warranty. (Some states or provinces do not allow the exclusion or limitation of implied warranties, so this exclusion may not apply to you.)

This warranty gives you specific legal rights. You may have other statutory rights that vary from state to state or from province to province, in which case this warranty does not affect such statutory rights.

For service under these warranties, it is suggested that a claim be made through the contractor or dealer from or through whom the product was purchased, or that a service request (including a description of the product model and of the defect) be sent to the following address:

In the United States

Porcher
P.O. Box 6820
Piscataway, NJ 08855
ATT: Director of Consumer Affairs

In Canada

Porcher
2480 Stanfield Road
Mississauga, Ontario
Canada L4Y 1S2

In Mexico

Porcher
Planta Santa Clara
Via Morelos #330
Santa Clara Coatitla
Ecatepec de Morelos, 55440

Customer Care 1-800-359-3261