

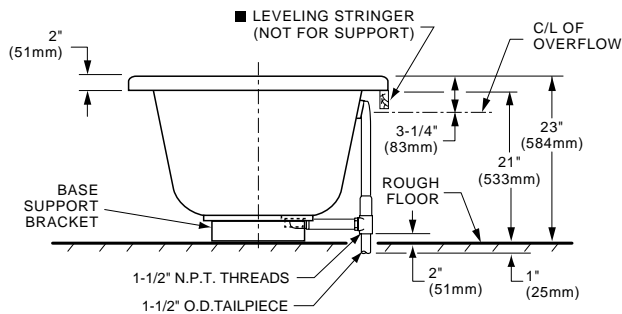
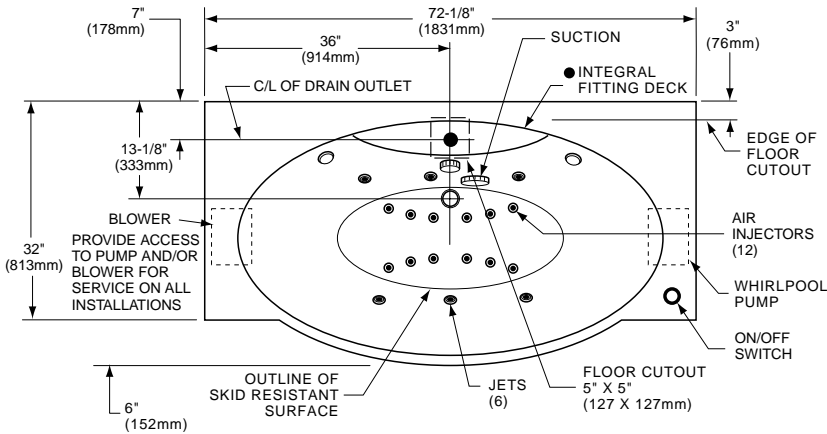
# L'EXPRESSION STAYCLEAN™

HIGH GLOSS ACRYLIC  
SHOWN LESS ALL FITTINGS

# 60440/60420 SERIES WHIRLPOOL/BATHING POOL

# INSTALLATION INSTRUCTIONS FOR L'EXPRESSION STAYCLEAN™ WHIRLPOOL

# PORCHER®



GENERAL SPECIFICATIONS FOR 60440/60420 WHIRLPOOL/BATHING POOL/AIR SYSTEMS	
INSTALLED SIZE	72-1/8 x 38 x 23 In. (1832 x 965 x 584mm)
WEIGHT	130 Lbs. (59 Kg.)
WEIGHT w/WATER	605 Lbs. (272 Kg.)
GAL. TO OVERFLOW	57 Gal. (216 L)
WHIRLPOOL MIN. OPERATING VOL.	38 Gal. (144 L)
BATHING WELL AT SUMP	18 x 38 In. (457 x 965mm)
BATHING WELL AT RIM	29 x 61-1/2 In. (736 x 1562mm)
WATER DEPTH TO OVERFLOW	14 In. (356mm)
FLOOR LOADING (PROJECTED AREA)	32 Lbs./Sq.Ft. (154 Kgs./Sq.m)
PTS.	25.6
CUBE (FT <sup>3</sup> )	52.5
WHIRLPOOL ELECTRICAL SPECIFICATIONS	
WHIRLPOOL PUMP	2.1 HP, 14.4 AMPS, 120V.
AIR PUMP	1.0 HP, 6.5 AMPS, 120V.
WHIRLPOOL ONLY-SYSTEM II WHIRLPOOL PUMP	2.1 HP, 15.6 AMPS, 120V.

## GENERAL INSTALLATION INFORMATION

Carefully uncrate and inspect your new bath for any shipping damage. If such damage is found, report it to your vendor immediately. After inspection and during installation, protect the bath from construction damage. After installation, and before enclosing with wallboard, tile, etc., water test the unit and check for leaks.

Do not make modifications to the whirlpool system or remove pump from factory mounting. This could adversely affect the safety and performance of the whirlpool and void the warranty. Do not handle or move the whirlpool by the pump, motor, or piping system.

Fittings (bath filler, shower arm, etc.) are not provided with the bath and must be ordered separately. Framing and enclosing materials are provided by others.

Protect all finished surfaces of the whirlpool during construction and installation using a drop cloth.

**WARNING! Do not lift whirlpool by the piping harness at any time.**

## THANK YOU...

for selecting a Porcher bath. Your new bath is shipped to you after careful inspection. The whirlpool version is completely assembled with pump, motor, and system piping. All you need to finish the installation are your selected fittings and electrical connections for a whirlpool. To insure maximum performance and pleasure from this product, please follow the instructions and cautions.

### Optional Components (included):

- Tile Bead Kit (P/N 751755-100)

### Optional Components (not included):

- 6 Foot Apron with Towel Bar

### Required Components (not included):

- Drain (included in Air Massage and Combination systems only)
- Bath Filler

### List of Required Tools and Supplies:

#### Tools

- Level
- Tape Measure
- Pipe Wrench
- Slip Joint Pliers
- Screw Driver
- Standard Woodworking Tools
- Personal Safety Equipment
- Caulking Gun

#### Supplies

- Nails
- Putty
- Caulking (waterproof)
- 1 x 3 or 2 x 2 Stringers
- Drop Cloth
- Cement, Plaster, Grout
- 20 amp GFCI Outlet (Whirlpool Only)
- 20 & 15 amp GFCI Outlet (Combi Only)
- 15 amp GFCI Outlet (Air Pump Only)

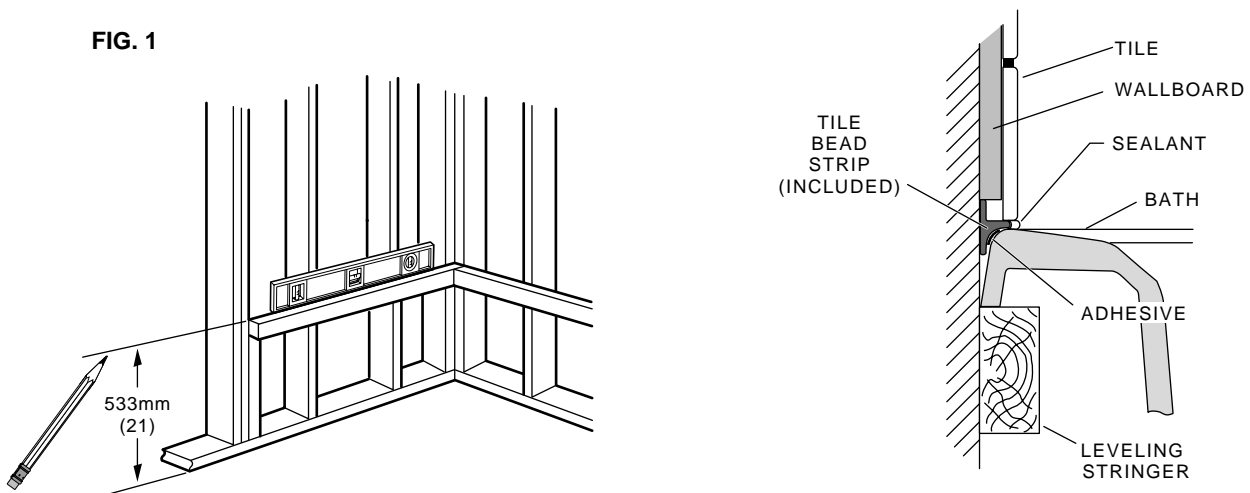
## INSTALLATION AND FRAMING INSTRUCTIONS

The variety of installations possible for this whirlpool may require framing procedures other than those shown. Locate studs as required. Ensure roughing-in dimensions are proper, plumb and square. Provisions must be made in all installations for an access opening for servicing the pump, blower and controls. It is strongly recommended that an additional opening be provided for access to the drain components.

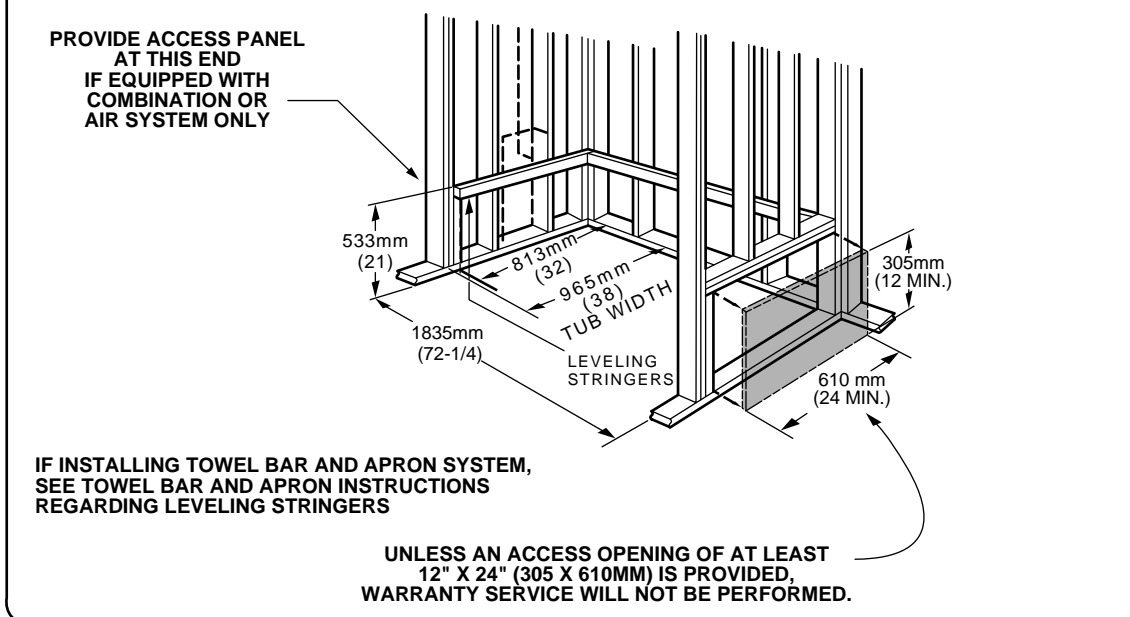
**NOTE: The apron should not be used as the primary access opening.**

1. Position the whirlpool into the installation opening and level the deck, shimming the integral support feet as necessary. Mark the final position of the underside of the deck by tracing a line on to the studs (see Figure 1).
2. Remove the whirlpool and attach a 2 x 4 stringer to the studs, with the top of the stringer touching the traced line.
3. Install drain components to the whirlpool following the manufacturers instructions. Before replacing your whirlpool for final installation, install supplied tile bead kit per instruction and make certain that an opening has been provided in the sub-floor for the drain. See the roughing-in drawing for suggested opening size and location dimensions.
4. Replace whirlpool and re-shim the integral support feet, shimming the entire length of the support feet. Secure the shims using construction adhesive, silicone, mortar or equivalent materials. While not a necessity, the use of a foundation base consisting of cement (e.g. Sakrete), mortar, or grout will help provide a solid and secure installation.

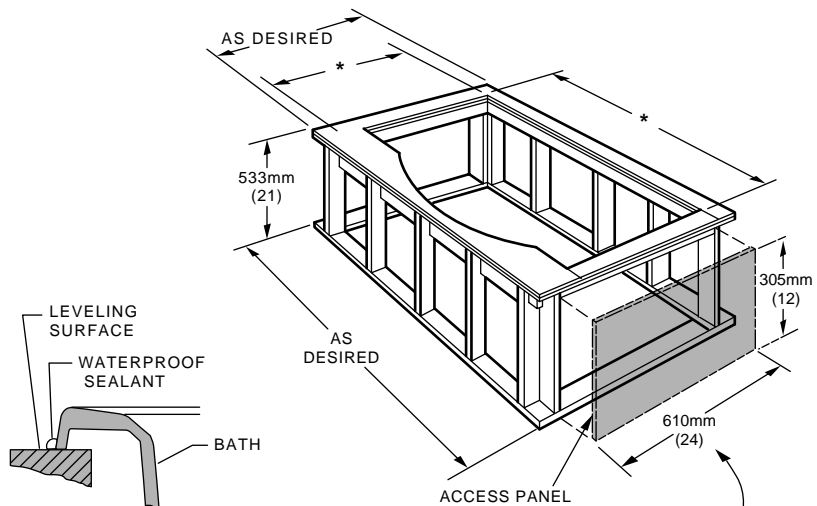
FIG. 1



### TYPICAL RECESS INSTALLATION



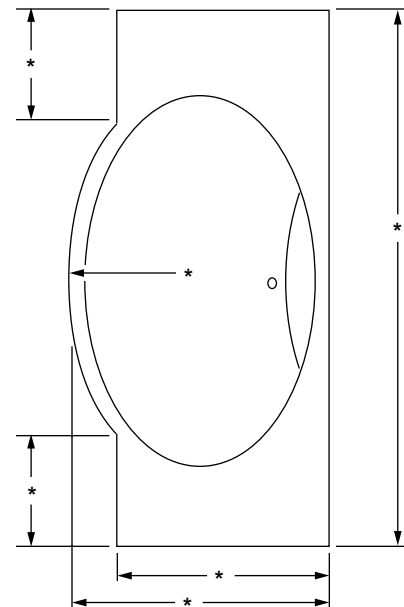
## TYPICAL PIER TYPE INSTALLATION



**IMPORTANT:**  
PROVIDE A 12" X 24" (305 X 610 mm) ACCESS  
OPENING FOR SERVICING PUMP AND CONTROLS

PROVIDE ACCESS PANEL AT BOTH ENDS  
FOR COMBINATION UNIT.

## CUTOUT DIMENSIONS



\* SEE CUTOUT TEMPLATE PROVIDED

## ELECTRICAL INSTALLATION INSTRUCTIONS

All wiring must be performed by a licensed electrician in accordance with the national electrical code and all other applicable codes.

### WARNING:

When using electrical products, basic precautions should always be observed, including the following:

#### 1. DANGER: RISK OF ELECTRIC SHOCK

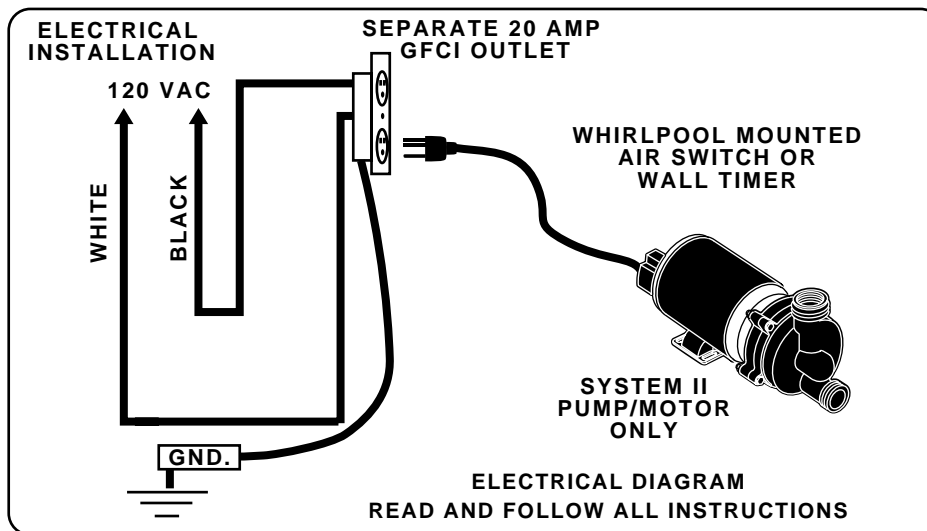
Connect only to a circuit protected by a ground-fault circuit interrupter.

2. Grounding is required. The unit should be installed by a licensed electrician and grounded.

3. Install to permit access for servicing.

4. All building materials and wiring should be routed away from the pump body and heater (if equipped).

The System II whirlpool system should be installed on a 120 vac, 20 amp dedicated circuit. For air massage and/or combination systems, please refer to the installation and operation manual for air massage and combination systems (part no. 753151-100) for important installation information. The circuit must be a three (3) wire circuit from the electrical supply panel. A grounded neutral wire and a third wire, earth ground, are essential.



### WIRE SELECTION GUIDE

W/P Motor  
Hi Performance  
Rating 2.1

Maximum distance from fusebox to motor			
50'	100'	150'	200'
120V Power Line			
12	10	8	8

The sizes shown on this chart are recommendations for copper conductors only. Always follow local and national electrical codes

## DRAIN CONNECTION AND SYSTEM TEST \*

Using recommended drain opening, connect whirlpool drain to waste line. Tighten all drain joints securely. Check the pump couplings and make sure they are hand-tight. Clean the whirlpool and fill with water to a point 2" above the top of the highest jet. Recheck the pump couplings and make certain that they are not leaking. (Although the pump couplings are factory tightened and inspected, some loosening may have occurred during transit.) Make sure the whirlpool is connected to the electrical supply and turn the whirlpool on. Check for leaks around all piping connections while the whirlpool is running.

## POST INSTALLATION CLEAN-UP

Remove all construction debris from bath. Tile grout can be removed with a wooden popsicle stick or tongue depressor. Do not use wire brushes or any other metal implement on bath surface.

Post installation clean-up generally can be completed using warm water and liquid dishwashing detergent. Stubborn dirt or stains may be removed using granular Spic and Span® mixed with water.

Painter's naphtha can be used to remove excess adhesives and/or wet oil-base paint.

## CARE AND MAINTENANCE

### YOUR PORCHER WHIRLPOOL BATH IS DESIGNED TO LAST INDEFINITELY WITH REASONABLE CARE AND MAINTENANCE

Your new acrylic bathtub has been molded in the newest plumbing fixture material available today. Acrylics are tough durable finishes that are simple and easy to care for. The colors have been formulated to match other Porcher fixtures and enhance your choice of bathroom decorations. The high gloss surface is resistant to impact and chemicals and will retain its lasting luster with proper care and maintenance. The whirlpool system has been built using StayClean™ whirlpool components featuring Antimicrobial AlphaSan®, providing you with the most effective method of keeping your whirlpool clean. StayClean™ is a patented mold and mildew inhibitor effective against bacterial damage, stains and odor thus requiring less effort by the user to keep the tub clean and fresh.

### AFTERCARE and CLEANING

- Always fill the tub with temperate water. Excessively hot water may cause surface damage.
- Remove bath mat after use and hang to dry. Allowing bath mat to dry in the tub may cause surface damage.
- Clean after use with a mild liquid household detergent cleaner. Do not use: Lestoil, Lysol Disinfectant (spray or concentrate), or Lysol Basin, Tub and Tile Cleaner, Windex, Mr. Clean, Dow Disinfectant Bathroom Cleaner, or cleaning products in aerosol cans.

### HARSH CHEMICALS SHOULD NEVER BE USED ON ACRYLIC SURFACES

- Do not use wire brushes, knives or sharp objects to remove stains, cigarette tar deposits, or other surface blemishes.
- Abrasive cleaners or powders must not be used, since they will dull the surface.  
If the glossy surface loses its sheen, dulled areas can be restored by rubbing with a white "automotive type" polishing compound and waxing with a "liquid wax".  
**Do not wax areas where you walk or stand.**
- Do not allow nail polish remover, acetone, dry cleaning fluid, paint remover or other solvents to come into contact with the surface.
- Clean the surrounding surface immediately after using caustic drain cleaners.  
**Do not permit drain cleaner to enter the circulation system.**
- Burning cigarettes will damage the surface.
- Should damage to the fixture occur, repairs can be made quickly and easily. Your distributor or builder can provide details

### CIRCULATION SYSTEM CLEANING-PURGING PROCEDURES

**STEP 1.** Once every month purge and clean the circulating system. Fill whirlpool with warm water and add two teaspoons of dishwasher detergent and one-half cup of household bleach.

**STEP 2.** Activate whirlpool system in accordance with operating instructions or two minutes.

**STEP 3.** Drain and refill whirlpool with cool water and circulate for additional five minutes.

**STEP 4.** Drain whirlpool completely.

### FIXTURE LIMITED WARRANTY

If inspection of this Porcher plumbing product, within one year after its initial purchase, confirms that it is defective in materials or workmanship, Porcher will repair or at its option, exchange the product for a similar model. This warranty applies to the original customer only and does not cover gold and platinum or custom hand painting. The refring of any china product by purchaser will null and void this warranty.

This limited warranty does not apply to local building code compliance. Since local building codes vary considerably, the purchaser of this product should check with a local building or plumbing contractor to insure local code compliance before installation.

This warranty shall be void if the product has been moved from its initial place of installation; if it has been subjected to faulty maintenance, abuse, misuse, accident or other damages; if it was not installed in accordance with Porcher's instructions; or if it has been modified in a manner inconsistent with the product as shipped by Porcher.

Porcher's option to repair or exchange the product under this warranty does not cover any labor or other costs of removal or installation, nor shall Porcher be responsible for any other incidental or consequential damages attributable to a product defect or to the repair or exchange of a defective product, all of which are expressly excluded from this warranty. (Some states or provinces do not allow the exclusion or limitation of implied warranties, so this exclusion may not apply to you.)

This warranty gives you specific legal rights. You may have other statutory rights that vary from state to state or from province to province, in which case this warranty does not affect such statutory rights.

For customer inquiries:

#### **In the United States:**

Porcher  
P.O. Box 6820  
Piscataway, New Jersey, 08855  
Attention: Director of Consumer Affairs  
For residents of the United States, warranty information may also be obtained by calling the following toll free number: (800) 359-3261

#### **In Canada:**

Porcher  
2480 Stanfield Road  
Mississauga, Ontario  
Canada L4Y 1S2  
Toll Free: (800) 387-0369

#### **In Mexico:**

Porcher  
Planta Santa Clara  
Via Morelos #330  
Santa Clara Coatitla  
Ecatepec de Morelos 55540,  
Estado de Mexico, Mexico

\* For Air Massage and Combination systems, please refer to the Installation and Operating Manual for Air Massage and Combination Systems (P/N 753151-100) for additional information.

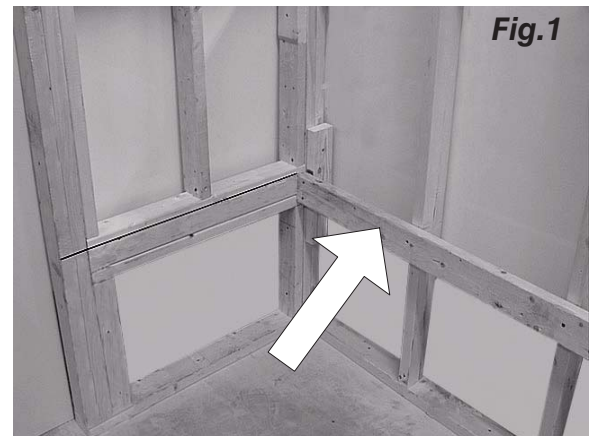
# Porcher

## INSTALLATION MANUAL for PORCHER L'EXPRESSION BATH TOWEL BAR and APRON PANEL

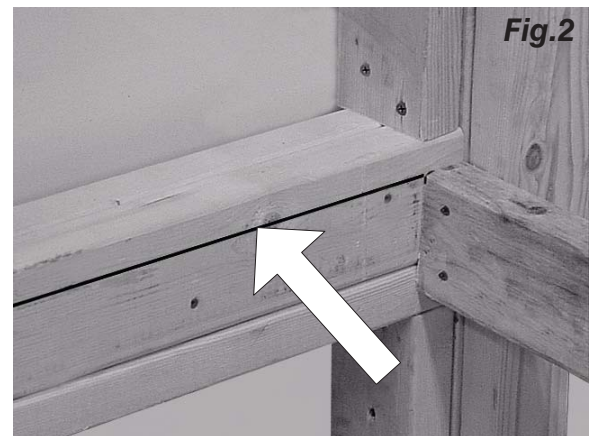
Your Porcher L'Expression Bath Towel Bar and Apron has been designed exclusively for your new Porcher bath. The intended use of the bar is as a Towel Bar only and **should not** be used as a step or grab bar. Serious injury may occur if used in other manners than that intended. Framing shown herein *may not* reflect your particular installation method. Please refer to the installation instructions provided with the bath for proper installation and framing techniques.

### IMPORTANT INSTRUCTIONS - DO NOT DISCARD - PLEASE LEAVE WITH HOMEOWNER

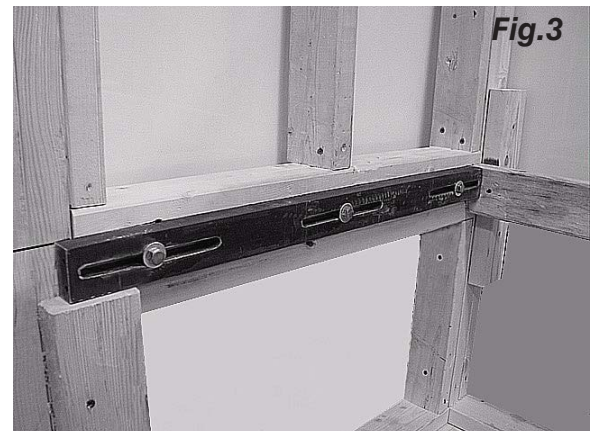
1. Build framing per bath installation instructions and dimensions. When the Towel Bar and Apron are used, the two end-wall stringers are provided with the towel bar and apron kit. You must provide and install at the specified height, the 2 x 4 back wall stringer for this installation. **See bath Installation Instruction and Fig.1.**



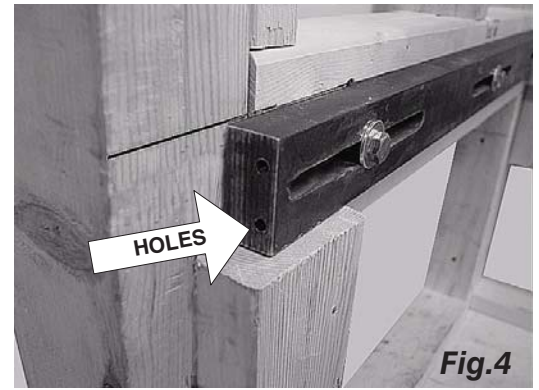
2. After installing back wall stringer, scribe a level plumb line at both ends of the recess opening. The line should extend from the top edge of the back wall stringer to the front of the recess opening. These lines will be used to locate the two end wall support stringers provided with the towel bar and apron kit. **See Fig. 2.**



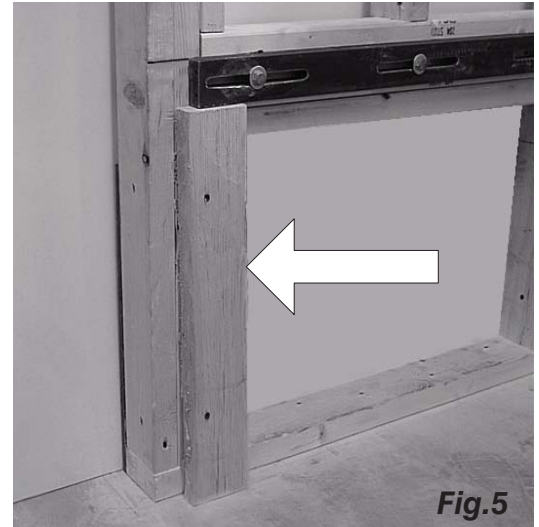
3. Install both end wall stringers using (6) 3/8" x 3" lag screws, (6) 3/8" lock washers and (6) 3/8" flat washers. Butt end wall stringers against the back wall stringer and align the top edge edge with the scribed line. **Be sure that the threaded end of the stringer is facing out and holes are toward the inside of the recess opening.** **See Fig. 3 and Fig. 4.**



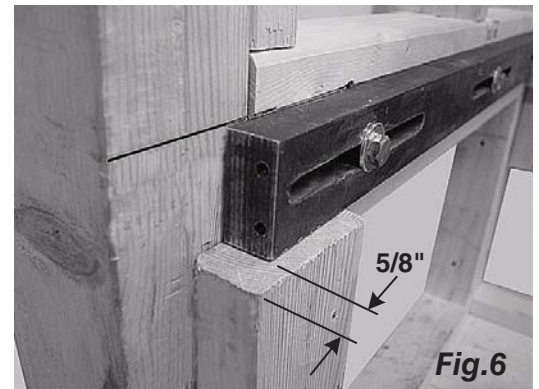
4. Measure and cut (2) 2 x 4's to fit under each end wall stringer. 2 x 4 should fit snugly under each stringer as to add additional support. Allow the 2x4's to extend past the end of each stringer by 5/8". **See Fig.5 and Fig.6.**



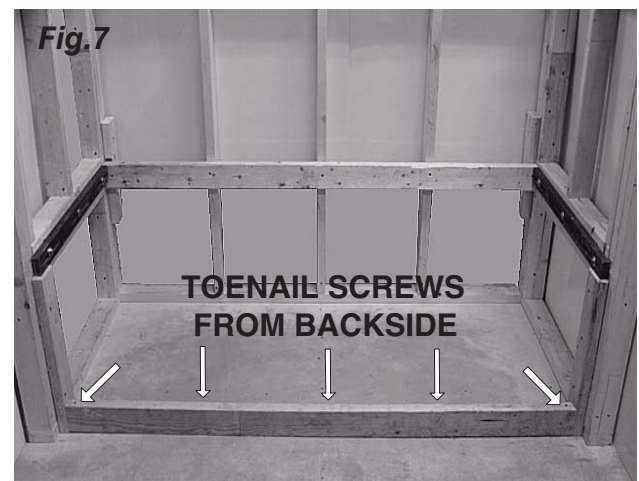
5. After installing both 2 x 4 stringer supports, measure between supports. Cut (1) 2 x 4 kickbase and install between both stringer supports. Use 3" drywall screws to "toenail" kickbase to rough floor and stringer supports at areas indicated by arrows. When toenailing kickbase to rough floor, be sure to fasten it from the backside and that the widest dimension of the 2 x 4 is vertical. **See Fig.7.**



6. Bath should now be prepared per installation instructions for insertion into recess opening (tile bead kit, etc.). Slide bath over kickbase and into recess opening. Install Towel Bar and Support Beam to End Wall Stringers using (4) M6 x 30mm socket head cap screws, (4) 6mm lockwashers and (4) 6mm flatwashers. Center the Support Beam inside recess opening, adjust as necessary. **See Fig.8, Fig.9 and Fig.10.**



7. Install color matched fascia with construction adhesive provided with apron kit. Follow the adhesive manufactures instructions for proper application, cure time, etc. Apply short pieces of fascia onto each 2 x 4 stringer support and long fascia across the kickbase. **See Fig.11 and Fig.12.**



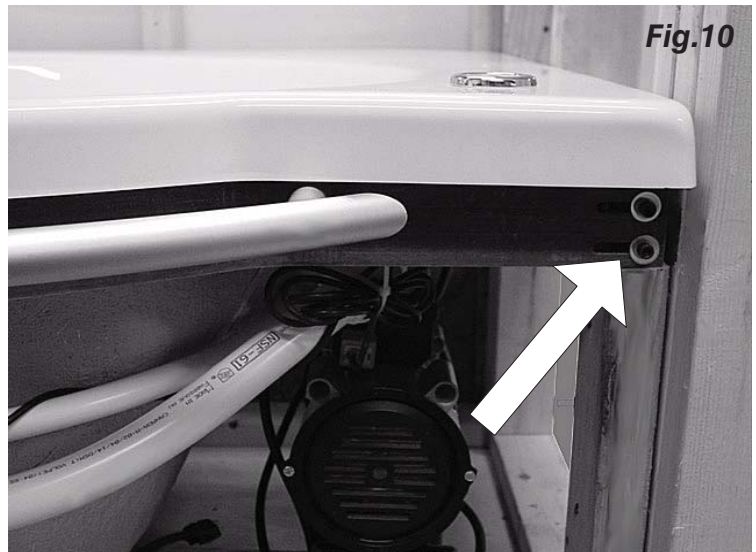
8. Allow adhesive to cure per manufactures instructions before installing apron panel. Remove any protective plastic film from the fascia and clean dirt, dust or grease from fascia surface using window cleaner or rubbing alcohol. **DO NOT USE ANY SOLVENTS or HARSH CHEMICALS** to clean fascia surface.



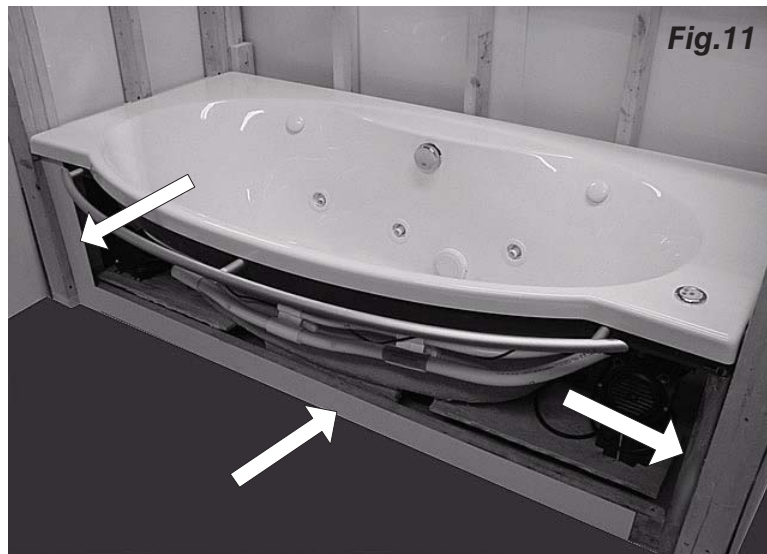
9. After adhesive has had appropriate time to cure, remove protective backing from the (4) tabs located on the rear bottom of the apron panel. Be careful that adhesive tabs do not contact dirt, dust, etc. Center the slots on the apron panel with the standoffs on the towel bar and slide the top edge of the panel between the deck edge of the bath and the towel bar support beam. Be sure that stepped edge of the apron panel is flush with the deck edge of the bath. **See Fig.13.**



10. Press the bottom of the apron panel firmly in place where the adhesive tabs meet the fascia surface. **See Fig. 14.**



10. Towel Bar and Apron Panel are now fully installed. If necessary, apron panel may be removed by grasping the at the bottom edge between the kickbase and the panel and pulling outward. While holding, allow apron panel edge to drop free from under bath deck. Reassemble as directed in steps 9 and 10.



Clean and maintain the apron panel in accordance with the care and cleaning instructions provided with your bath.

NEED HELP?

Call 1-800-359-3261  
Weekdays

Copyright 2009 Porcher

