

❖ 70320 Elongated Slow-Close Seat

- Top mounting solid seat with cover can be installed from top of toilet bowl
- Telescoping cover conceals lid when closed
- Made from Duroplast - a hard, scratch-resistant surface with the feel and look of chinaware
- Slow-close hinge for user convenience
- Seat can be removed from bowl with the push of a button allowing for easy removal and reattachment of seat without tools for quick and easy cleaning
- Fits any conventional elongated toilet
- Seat complete mounting hardware



Seat Colors:



White
001

Biscuit
071



Convenient Slow-Close Feature

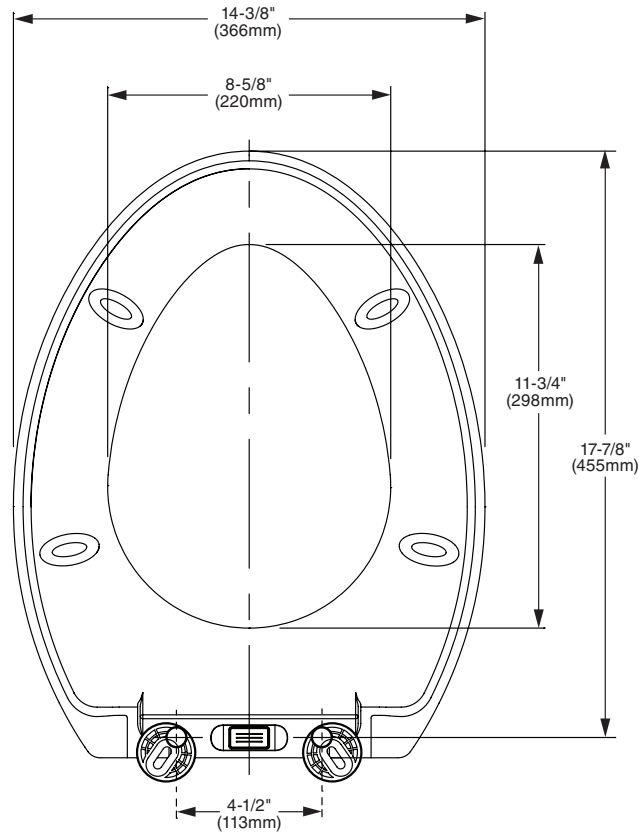


Push Button Lift Off Feature

Replacement Parts:

- ❖ **760140-100** Seat Mounting Kit
(Includes: top mounting hinge pins, color matched hinge caps, 2 color matched bumpers for the lid and 4 color matched bumpers for the ring)

ROUGH IN DIAGRAM SHOWN
ON REVERSE SIDE



NOTES:
INSTALLATION INSTRUCTIONS SUPPLIED WITH WATER CLOSET.

IMPORTANT: Dimensions of fixtures are nominal and may vary within the range of tolerances established by applicable ASME standards. These measurements are subject to change or cancellation. No responsibility is assumed for use of superseded or voided pages.

To Be Specified:

- Color: