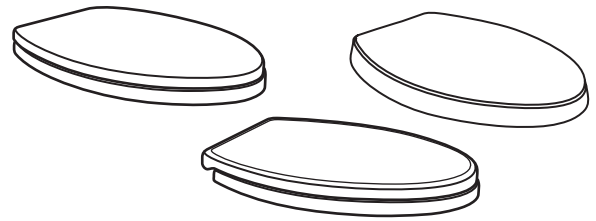


Porcher

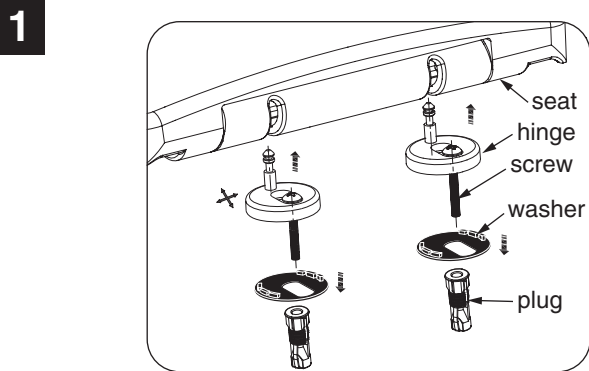
Installation Instructions



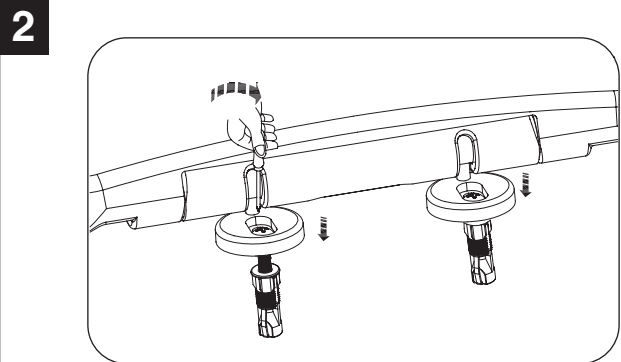
SLOW CLOSE TOILET SEAT ELONGATED MODEL 70920, 70820, 70320 ROUND FRONT MODEL 71920

Thank you for selecting Porcher...the benchmark of fine quality. To ensure that your installation proceeds smoothly -- please read these instructions carefully before you begin.

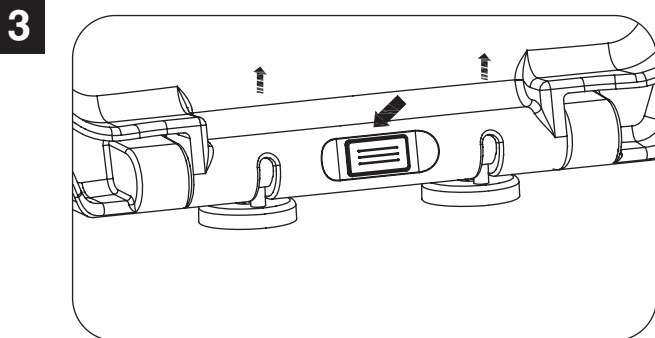
NOTE: Pictures may not exactly depict toilet seat and components.



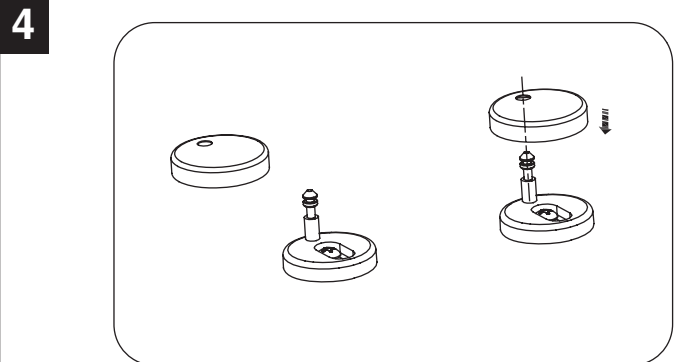
1. Insert the plugs into the fixing holes of the toilet. Install rubber washer on bottom of hinge. Click the hinges into the seat & cover fixing holes.



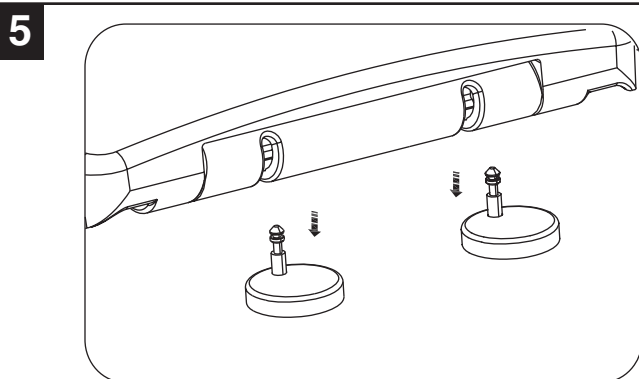
2. Close the seat and cover onto the toilet and adjust seat and cover to a proper position. Tighten the screws firmly with a screwdriver.



3. Open the seat and cover. Push the center push button to release seat and cover. Pull upwards the seat and cover to take it off the hinges.



4. Put the caps on the hinges.



5. Reinstall the seat & cover.

NOTE: To remove the seat and cover push the center button and pull the seat upwards.

Care and Cleaning

When cleaning your toilet seat wash it with a mild, soapy water: rinse the seat thoroughly with clear water and dry with a soft cloth.

Avoid detergents, disinfectants, or cleaning products in aerosol cans. Never use abrasive scouring powders on your seat. Some bathroom chemicals and cosmetics may damage the seat's finish. After installation, check the tightness of the bolts from time to time to ensure a tight fit.

REPLACEMENT KIT

PART NUMBER	DESCRIPTION
760140-100.0070A	*SEAT HARDWARE KIT# 264

*Includes a set of seat bumpers and all hardware needed for installation of seats.

PORCHER ONE-YEAR LIMITED WARRANTY

If inspection of this Porcher plumbing product, within one year after its initial installation, confirms that it is defective in materials or workmanship, Porcher will repair or, at its option, exchange the product for a similar model.

This limited warranty does not apply to local building code compliance; since local building codes vary considerably, the purchaser of this product should check with a local building or plumbing contractor to ensure local code compliance before installation.

This warranty shall be void if the product has been moved from its initial place of installation; if it has been subjected to faulty maintenance, abuse, misuse, accident, or other damage; if it was not installed in accordance with Porcher's instructions, or if it has been modified in a manner inconsistent with the product as shipped by Porcher.

Porcher's option to repair or exchange the product under this warranty does not cover any labor or other costs of removal or installation, nor shall Porcher be responsible for any other incidental or consequential damages attributable to a product defect or to the repair or exchange of a defective product, all of which are expressly excluded from this warranty. (Some states or provinces do not allow the exclusion or limitation of implied warranties, so this exclusion may not apply to you.)

This warranty gives you specific legal rights. You may have other statutory rights that vary from state to state or from province to province, in which case this warranty does not affect such statutory rights.

For service under this warranty, it is suggested that a claim be made through the contractor or dealer from or through whom the product was purchased, or that a service request (including a description of the product model and of the defect) be sent to the following address:

In the United States:

Porcher Inc.
P.O. Box 6820
Piscataway, NJ 08855
Attention: Customer Care

For residents of the United States, warranty information may also be obtained by calling the following toll free number: (800) 359-3261
www.porcher-us.com

In Canada:

Porcher
5900 Avebury Ave.
Mississauga, Ontario
Canada L5R 3M3
Toll Free: (800) 387-0369

In Mexico:

Porcher
Planta Santa Clara
Via Morelos #330
Santa Clara Coatitla
de Morelos 55540
Estado de Mexico, Mexico