

ASSEMBLY & INSTALLATION INSTRUCTIONS

Solutions 16"

Wall Hung Cabinet 80820-00

Base/Drawer 80830-00

Floor Standing Vanity 80820-00 & 80830-00

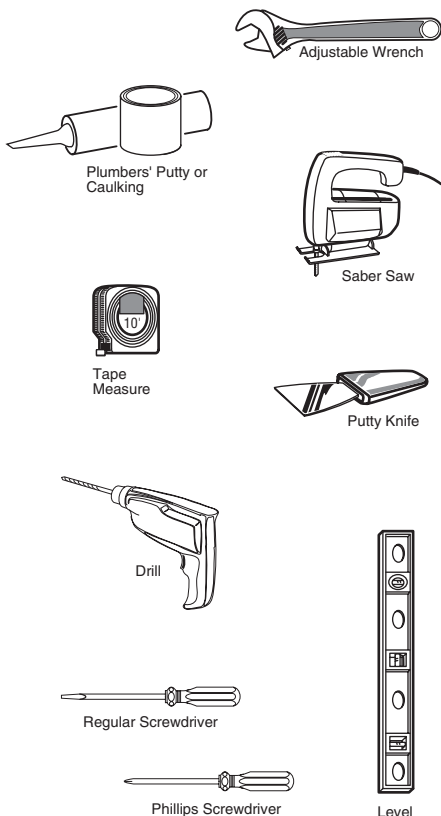
INTRODUCTION

Thank you for selecting our Porcher product. To ensure that your installation proceeds smoothly, read these instructions carefully before you begin. Also, review the recommended tools and materials section. Carefully unpack and examine your new plumbing fixture.

ALL INSTALLATION PROCEDURES MUST COMPLY IN STRICT ACCORDANCE WITH APPLICABLE LOCAL PLUMBING AND BUILDING CODES

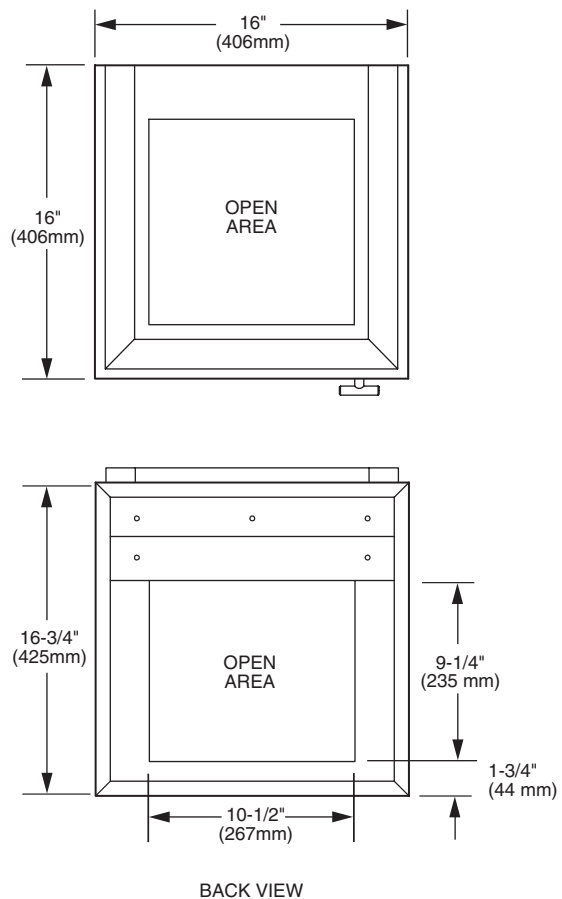
Tools and Materials Required

Most of the procedures require the use of common tools and materials, which are available from hardware and plumbing, supply stores. It is essential that the tools and materials be on hand before work is begun.



Roughing-in Dimensions

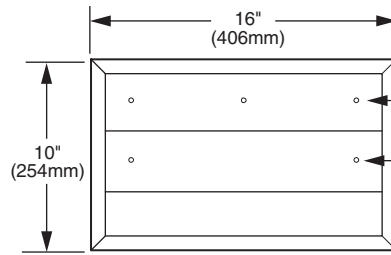
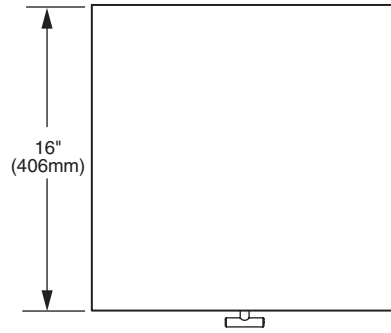
Wall Hung Cabinet 80820-00



NOTE: Locate supplies and "P" trap in open area.

Roughing-in Dimensions

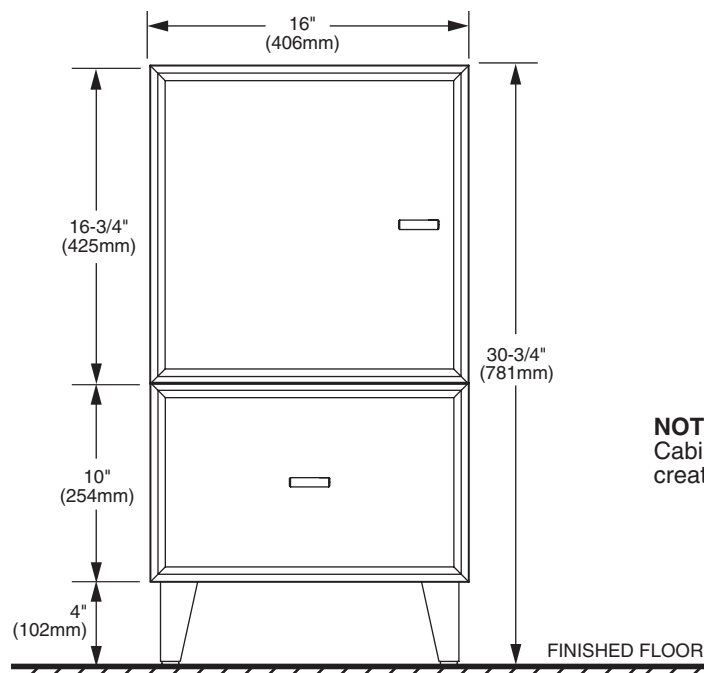
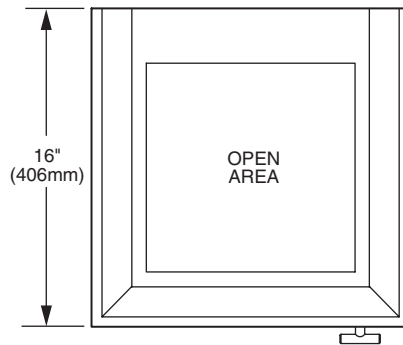
Base/Drawer 80830-00



BACK VIEW

Roughing-in Dimensions

Floor Standing Vanity 80820-00 & 80830-00



NOTE: Legs must be used when Cabinet and Base are combined to create a Floor Standing Vanity.

1

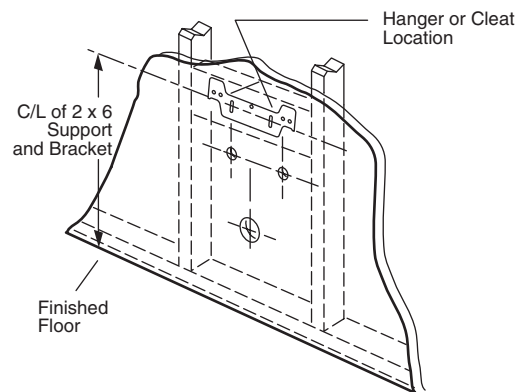
Installation Instructions for Wall Hung Vanity 80820-00

Provide suitable reinforcement required for anchoring the cabinet to the wall. Install a 2 x 6 cross-brace between wall studs.

Determine horizontal centerline location of mounting hardware required to support cabinet and wall mounted sinks.

Center the combined height of the two cleats on the 2 x 6 cross-brace.

See illustration.

**2**

Remove the lower cleat from the backside of unit by unfastening screws.

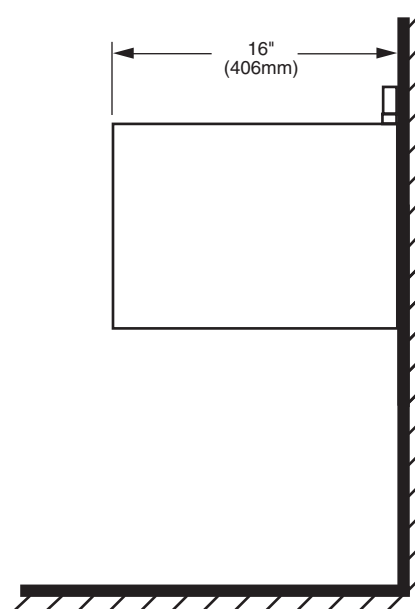
Using a level, fasten lower cleat against wall and through cross-brace using screws (not supplied) which are a minimum of 1/4 inch diameter. Select the screw length such that it fully engages the 2 x 6 cross-brace.

Hang cabinet on beveled cleats against wall.

Fasten upper cleat against wall and through cross-brace using minimum 1/4 inch diameter screws (not supplied).

If molding is present and prevents installation of the vanity flush against the wall, notch the molding for a secure installation.

See illustration.



NOTE: The OPEN AREA at the rear of the vanity is provided for water supplies and drain. Verify that supplies and drain are accommodated by this cut-out.

3

Install vanity top, sink and faucet in accordance with manufacturer's instructions.

Installation Instructions for Base/Drawer 80830-00

The Base/Drawer is a free-standing unit supplied with legs. The legs may be removed and the Drawer may be wall mounted.

NOTE: Legs must be used when Cabinet and Base are combined to create a Floor Standing Vanity.

1

To Wall Mount Drawer:

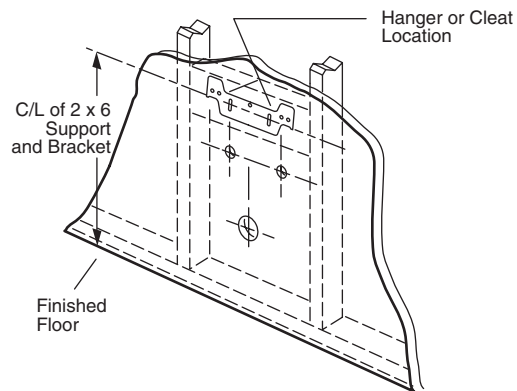
From the underside of Base/Drawer, unfasten legs by removing screws.

Provide suitable reinforcement required for anchoring the drawer to the wall. Install a 2 x 6 cross-brace between wall studs.

Determine horizontal centerline location of mounting hardware required to support vanity and wall mounted sinks.

Center the combined height of the two cleats on the 2 x 6 cross-brace.

See illustration.



2

Remove the lower cleat from the backside of unit by unfastening screws.

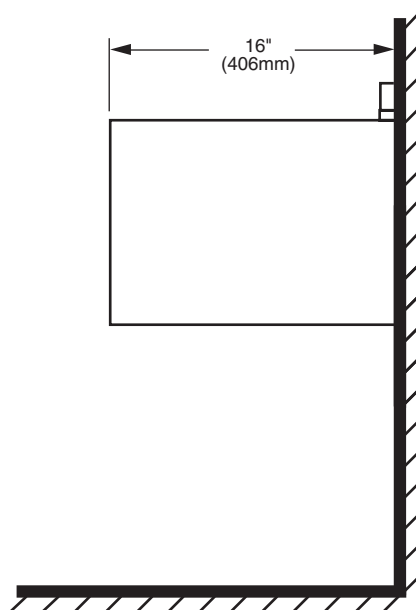
Using a level, fasten lower cleat against wall and through cross-brace using screws (not supplied) which are a minimum of 1/4 inch diameter. Select the screw length such that it fully engages the 2 x 6 cross-brace.

Hang cabinet on beveled cleats against wall.

Fasten upper cleat against wall and through cross-brace using minimum 1/4 inch diameter screws (not supplied).

If molding is present and prevents installation of the drawer flush against the wall, notch the molding for a secure installation.

See illustration.



Installation Instructions for Floor Standing Vanity 80820-00 & 80830-00

NOTE: Legs must be used when Cabinet and Base are combined to create a Floor Standing Vanity.

1

Stack and align Cabinet 80800-00 atop of the Base with legs 80810-00. Secure using four screws (not supplied). Use one #6 x 1/4" drywall screw in each corner.

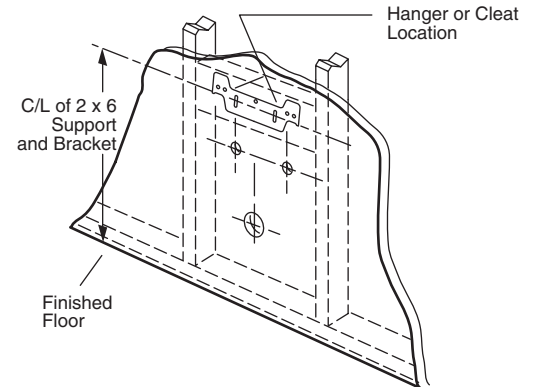
Provide suitable reinforcement required for anchoring the vanity to the wall. Install a 2 x 6 cross-brace between wall studs.

Determine horizontal centerline location of mounting hardware required to support vanity and wall mounted sinks.

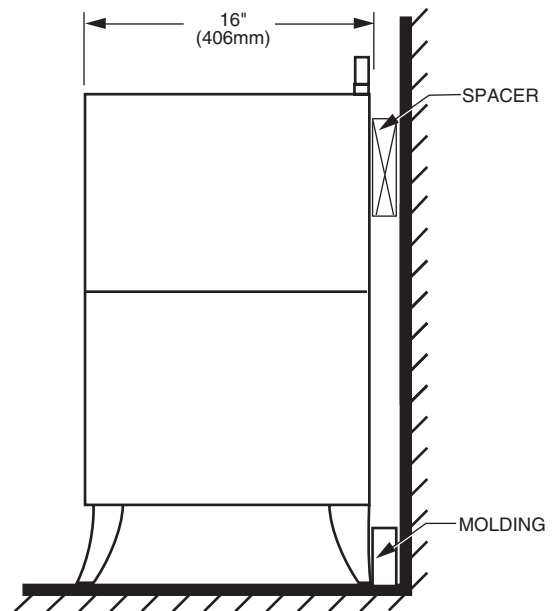
See illustration.

If molding is present and prevents installation of the vanity flush against the wall, notch the molding and/or provide suitable spacer for a secure installation.

See illustration.



NOTE: The OPEN AREA at the rear of the vanity is provided for water supplies and drain. Verify that supplies and drain are accommodated by this cut-out.



2

If applicable, remove the top from the vanity.

Move the vanity into place and anchor it to the wall through at least 2 of the mounting holes or angle brackets (in some models) in the rear of the vanity.

Install vanity top, sink and faucet in accordance with manufacturer's instructions.

Care and Cleaning of Vanity

The finished solid wood and genuine wood veneer components used in your furniture are finished with a high quality, catalyzed top coat designed to withstand the wear of continuous usage for many years. Our finishing materials are specially formulated to meet the most stringent industry standards for resistance to moisture, food stains, grease, cosmetics, soap and detergents. This finish protects the wood and enhances its natural beauty. The following are guidelines and recommendations to keep your Porcher furniture looking beautiful.

Regular Exterior Cleaning requires only wiping with a damp cloth and drying with a soft, clean cloth.

Remove Oil, Grease or General Soil using a clean cloth dampened with a solution of mild soap, such as Murphy's Oil Soap® and water. Dry thoroughly.

Never use soap pads, steel wool, self polishing waxes or cleaners that contain bleach, ammonia or abrasives.

Preserve Your Finish by Removing Excess Water

PORCHER FURNITURE LIMITED WARRANTY

If inspection of this Porcher plumbing product, within one year after its initial purchase, confirms that it is defective in materials or workmanship, Porcher will repair or, at its option, exchange the product for a similar model. Variations in actual wood color and finishes which may result from natural characteristics of the wood, such as grain patterns, mineral streaks and the like, are not defects and are not covered by this warranty.

This warranty applies only to the original purchaser and installation of these products. In the event of a claim, proof of purchase will be required; save your receipt.

This limited warranty **does not apply** to local building code compliance. Since local building codes vary considerably, the purchaser of this product should check with a local building or plumbing contractor to insure local code compliance before installation.

This warranty **is void** if the product has been moved from its initial place of installation; if it has been subjected to faulty maintenance, abuse, misuse, accident or other damages; if it was not installed in accordance with Porcher's instructions; or if it has been modified in a manner inconsistent with the product as shipped by Porcher.

Porcher's option to repair or exchange the product under this warranty does not cover any labor or other costs of removal or installation, nor shall Porcher be responsible for any other incidental or consequential damages attributable to a product defect or to the repair or exchange of a defective product, all of which are expressly excluded from this warranty. This limited warranty **does not** cover any liability for consequential or incidental damages, all of which are hereby expressly disclaimed, or the extension beyond the duration of this limited warranty of any implied limited warranties, including those of merchantability or fitness for an intended purpose. (Some states or provinces do not allow the exclusion or limitation of implied warranties, so this exclusion may not apply to you).

This warranty gives you specific legal rights. You may have other statutory rights that vary from state to state or province to province, in which case this warranty does not affect such statutory rights.

In the United States:

Porcher
P.O. Box 6820
Piscataway, New Jersey, 08855
Attention: Director of Consumer Affairs

For residents of the United States, warranty information may also be obtained by calling the following toll free number: (800) 359-3261

In Canada:

Porcher
2480 Stanfield Road
Mississauga, Ontario
Canada L4Y 1S2

Toronto Area: (905) 306-1093
Toll Free: (800) 387-0369

In Mexico:

Porcher
Planta Santa Clara
Via Morelos #330
Santa Clara Coatitla
Ecatepec de Morelos 55540,
Estado de Mexico, Mexico