

❖ 84930 - Mirror

- Inspired by English designs of the 1920's, the Archive collection is sophisticated and inviting
- Made of select veneers and premium hardwood construction
- Designed to resist moisture and warpage over time
- Seven step finish applied by hand includes 2 catalyzed polyurethane top coats for moisture resistance and durability
- American craftsmanship – made in the USA

Nominal Dimensions:

23" x 1-1/4" x 33"
(584 x 32 x 838mm)

Mirror Colors:



Java
621



Light Cherry
695



Maple
602



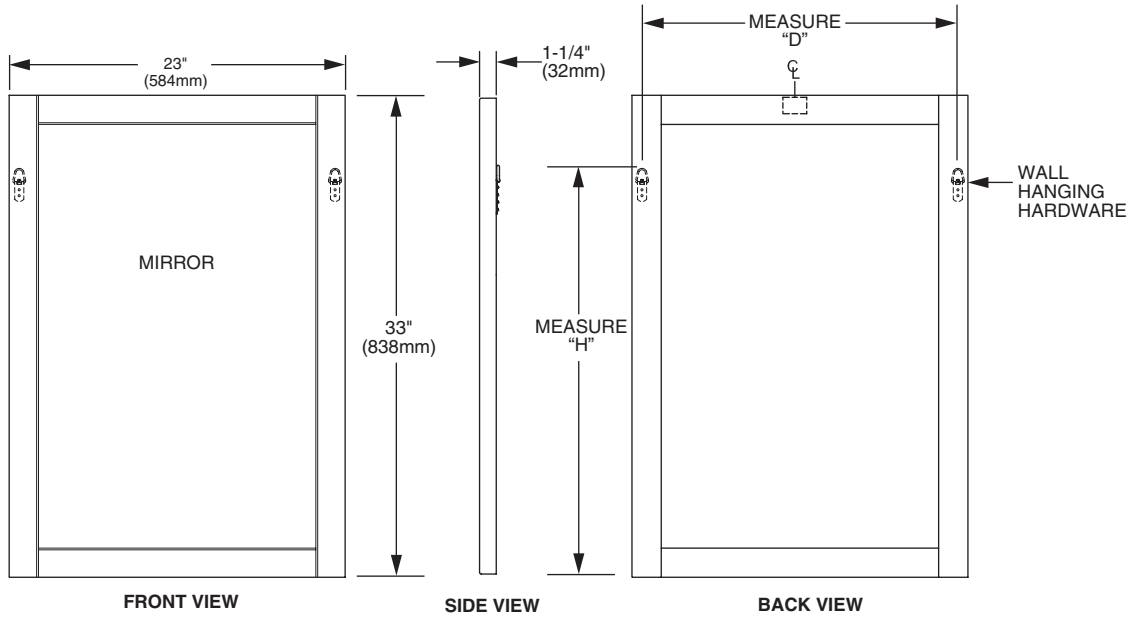
White Wood
620



Black
685



ROUGH IN DIAGRAM SHOWN
ON REVERSE SIDE



NOTES:

AFFIX TO A STUD OR PROVIDE ADEQUATE WALL SUPPORT FOR THE SIZE AND WEIGHT OF THE MIRROR.

IMPORTANT: Dimensions of fixtures are nominal and may vary within the range of tolerances established by ASME standards. These measurements are subject to change or cancellation. No responsibility is assumed for use of superseded or voided pages.

Compliance Certifications:

- CARB Phase I Compliant