

INSTALLATION INSTRUCTIONS

STONE VANITY TOPS

INTRODUCTION

Thank you for selecting our Porcher product. To ensure that your installation proceeds smoothly, read these instructions carefully before you begin. Also, review the recommended tools and materials section. Carefully unpack and examine your new plumbing fixture.

To maintain the beauty of the finish, avoid placing the furniture in direct sunlight, as sunlight causes fading. Also avoid extreme changes in temperature by arranging furniture away from radiators, heat and air vents, and air conditioning units. Avoid placing furniture directly under windows.

ALL INSTALLATION PROCEDURES MUST COMPLY IN STRICT ACCORDANCE WITH APPLICABLE LOCAL PLUMBING AND BUILDING CODES

STONE VANITY TOPS

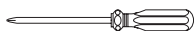
ARCHIVE	24"	84960-00
ARCHIVE	36"	84950-00
EQUILITY		86950-00
L'EXPRESSION DROP-IN		88860-00
L'EXPRESSION		88850-00
LUTEZIA ELEGANZE	28"	87950-00
LUTEZIA MODERNIQUE	28"	80950-00
OVALE		83960-00
SAVINA	27"	85960-00
SAVINA	36"	85950-00
TETSU	24"	88960-00
TETSU	36"	88950-00

Tools and Materials Required

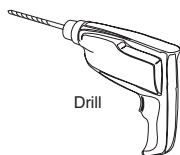
Most of the procedures require the use of common tools and materials, which are available from hardware and plumbing, supply stores. It is essential that the tools and materials be on hand before work is begun.



Regular Screwdriver



Phillips Screwdriver



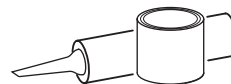
Drill



Adjustable Wrench



Putty Knife



Plumbers' Putty or
Caulking



Tape
Measure



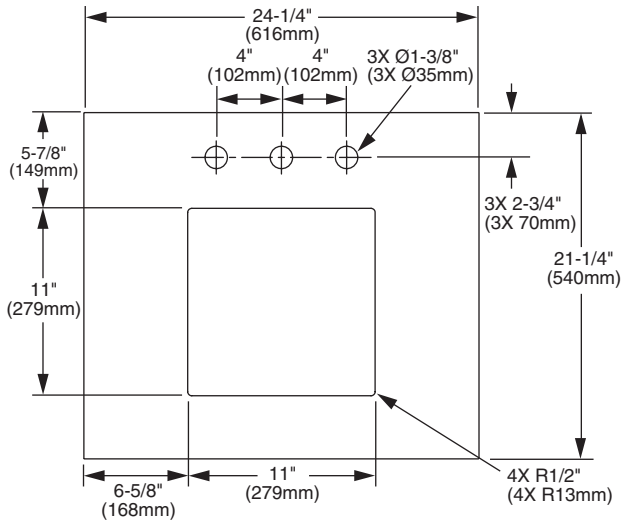
Level

CAUTION: PRODUCT IS FRAGILE. TO AVOID BREAKAGE AND POSSIBLE INJURY HANDLE WITH CARE!

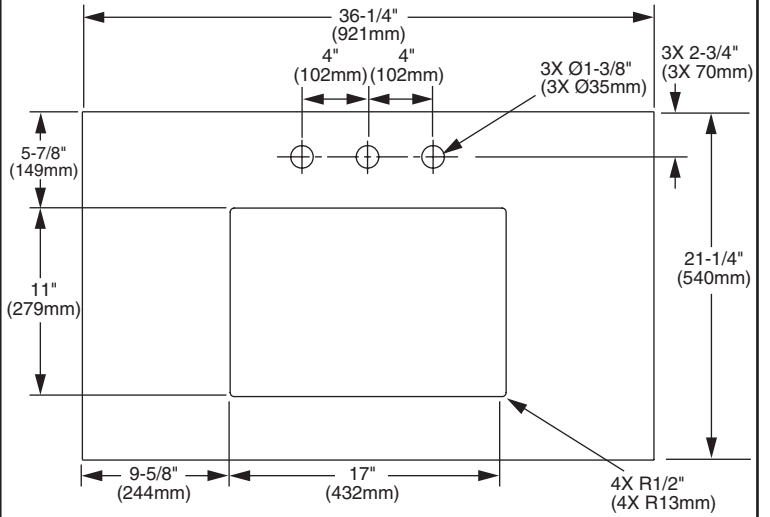
NOTE: Pictures may not exactly define contour of china and components.

SAVE THESE INSTRUCTIONS

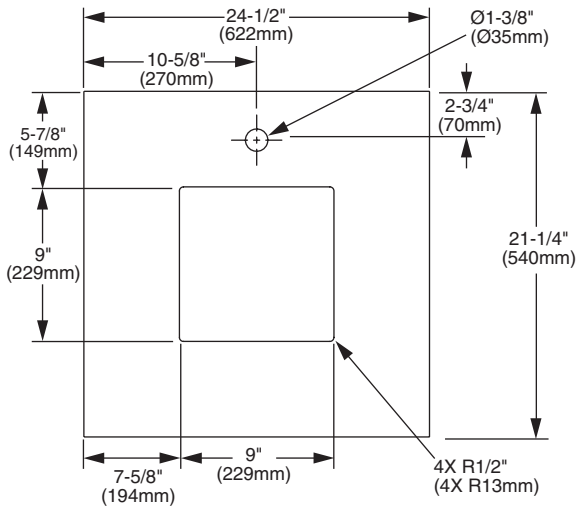
**Roughing-in Dimensions
Model 84960-00**



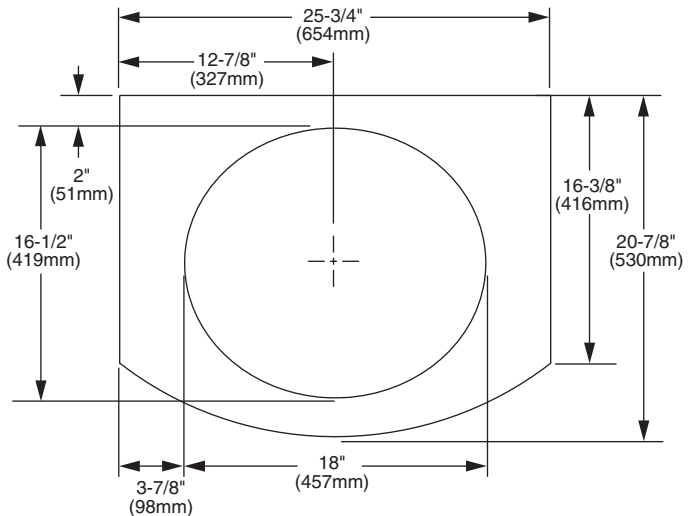
**Roughing-in Dimensions
Model 84950-00**



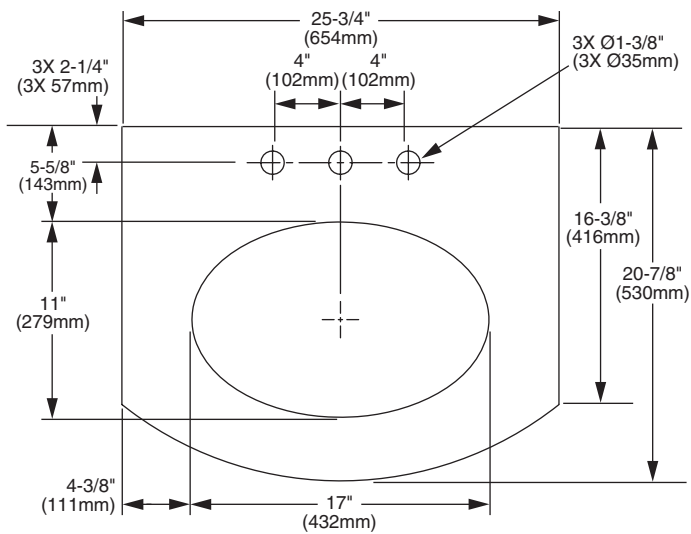
**Roughing-in Dimensions
Model 86950-00**



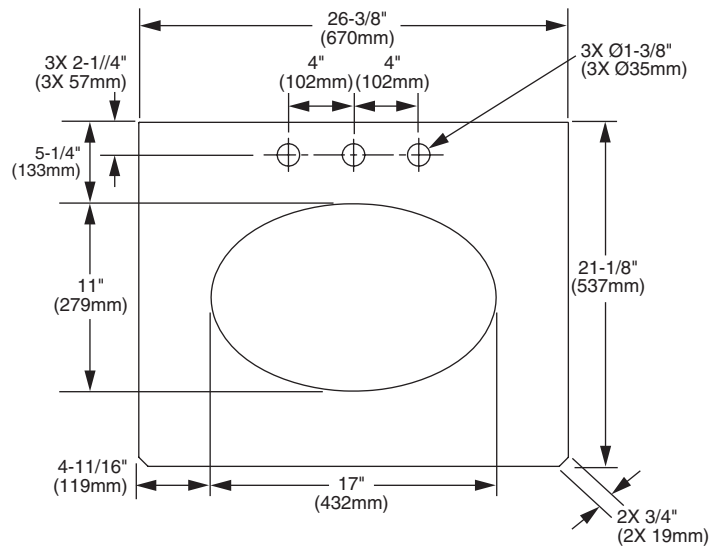
**Roughing-in Dimensions
Model 88860-00**



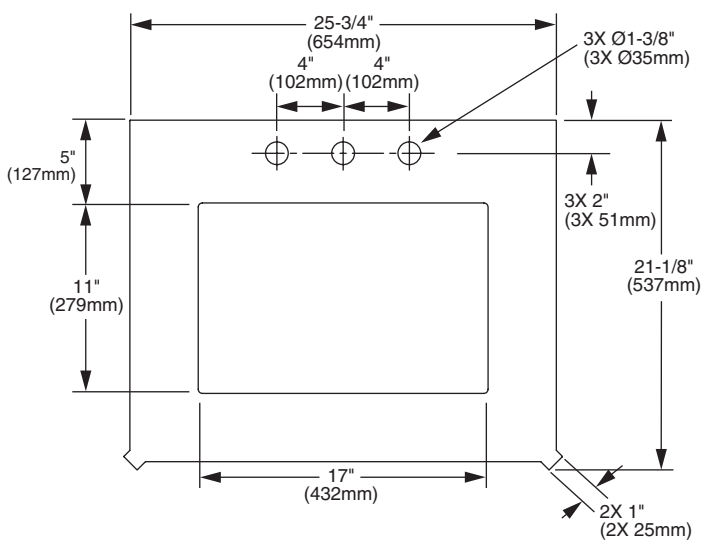
**Roughing-in Dimensions
Model 88850-00**



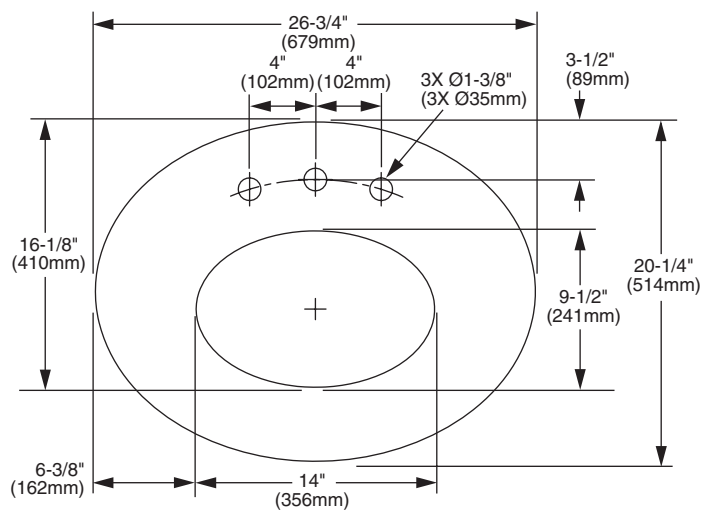
**Roughing-in Dimensions
Model 87950-00**



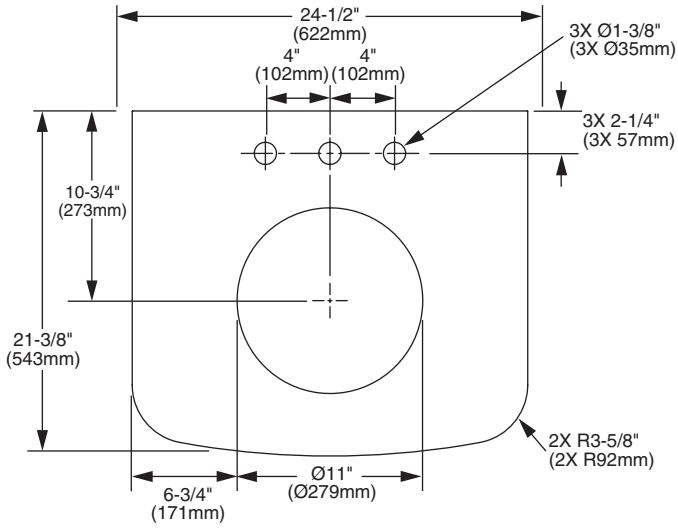
**Roughing-in Dimensions
Model 80950-00**



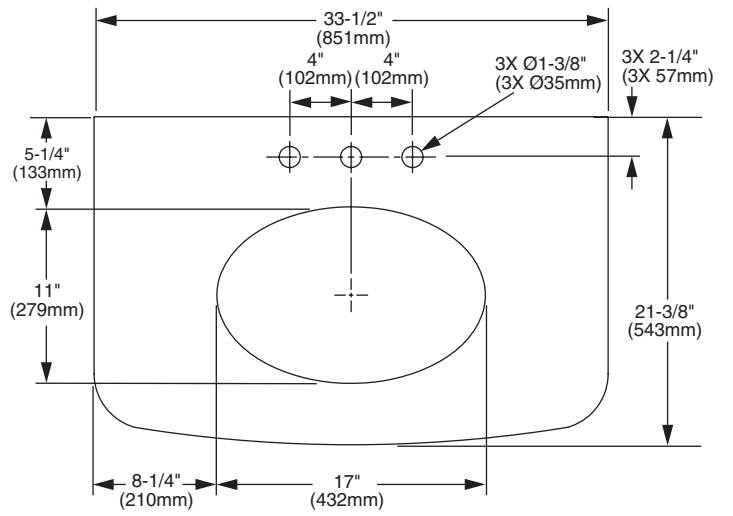
**Roughing-in Dimensions
Model 83960-00**



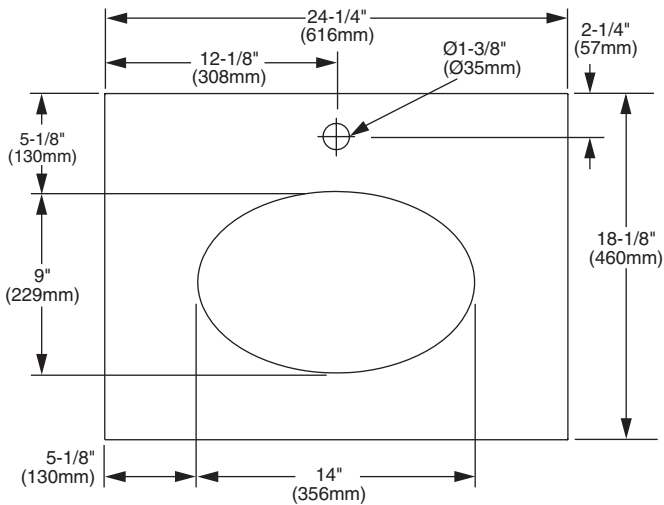
**Roughing-in Dimensions
Model 85960-00**



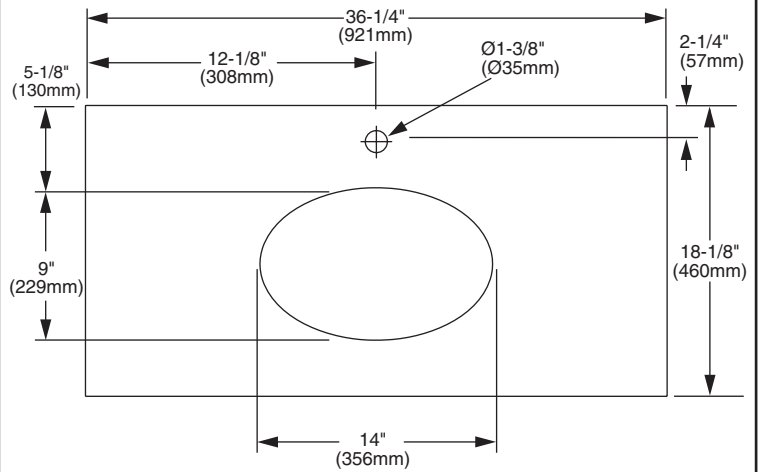
**Roughing-in Dimensions
Model 85950-00**



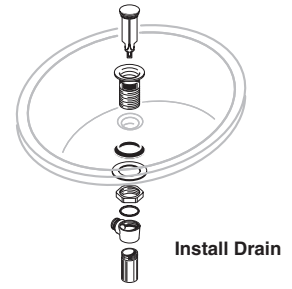
**Roughing-in Dimensions
Model 88960-00**



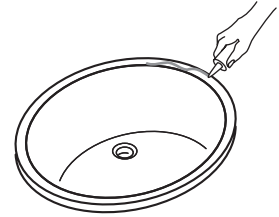
**Roughing-in Dimensions
Model 88950-00**



- 1** **NOTE:** Stone tops are pre-cut for suggested sink and faucet pairings.
Install drain in accordance with manufacturer's instructions.



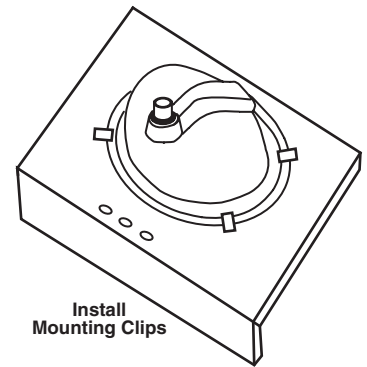
- 2** **FOR UNDER MOUNT SINKS:**
Turn the stone top side down and place it on a clean, scratch resistant surface. Apply a bead of silicone adhesive to the rim of the sink. Center the sink over the cutout and secure it to the top using the mounting kit provided.



NOTE: Stone tops are pre-drilled to accommodate sink mounting hardware.

FOR TOP MOUNT SINKS:

Carefully support top on all sides. Apply a bead of silicone on sink at interface with top. Position sink into cut out and secure it to top using mounting kit provided.



- 3** Turn the top right-side up and install the faucet per the manufacturer's instructions.

- 4** Apply a bead of silicone adhesive to the rim of the vanity. Place the marble top centered left to right on the vanity and with the back edge of the top even with the rear of the vanity.

- 5** Connect the trap to the drain assembly in accordance with manufacturer's instructions. Hand tighten to check alignment.

Connect hot and cold supply lines to the shut off valves. Tighten trap joints for watertight assembly.

Care and Cleaning of the Stone Vanity Top

Wipe the vanity top dry with a soft cloth after each use.

Clean regularly with a granite and marble cleaner.

If using a household cleaner, make sure it is non-abrasive and non-acidic.

Granite and marble products are factory sealed with a penetrating sealer.

You can maintain this by applying a stone sealer once or twice per year.

Stone sealer is readily available through most home centers and fabricators.

If staining occurs, use a stone and tile stain remover.

PORCHER GLASS AND/OR STONE PRODUCTS LIMITED WARRANTY

If inspection of this Porcher plumbing product, within one year after its initial purchase, confirms that it is defective in materials or workmanship, Porcher will repair or, at its option, exchange the product for a similar model. Variations in shading, veining, and texture which may result from natural characteristics of stone and as such are not defects and are not covered by this warranty.

This warranty applies only to the original purchaser and installation of these products. In the event of a claim, proof of purchase will be required; save your receipt.

This limited warranty **does not** apply to local building code compliance. Since local building codes vary considerably, the purchaser of this product should check with a local building or plumbing contractor to insure local code compliance before installation.

This warranty **is void** if the product has been moved from its initial place of installation; if it has been subjected to faulty maintenance, abuse, misuse, accident or other damages; if it was not installed in accordance with Porcher's instructions; or if it has been modified in a manner inconsistent with the product as shipped by Porcher.

Porcher's option to repair or exchange the product under this warranty does not cover any labor or other costs of removal or installation, nor shall Porcher be responsible for any other incidental or consequential damages attributable to a product defect or to the repair or exchange of a defective product, all of which are expressly excluded from this warranty. This limited warranty **does not** cover any liability for consequential or incidental damages, all of which are hereby expressly disclaimed, or the extension beyond the duration of this limited warranty of any implied limited warranties, including those of merchantability or fitness for an intended purpose. (Some states or provinces do not allow the exclusion or limitation of implied warranties, so this exclusion may not apply to you).

This warranty gives you specific legal rights. You may have other statutory rights that vary from state to state or province to province, in which case this warranty does not affect such statutory rights.

For service under these warranties, it is suggested that a claim be made through the contractor or dealer from or through whom the product was purchased, or that a service request (including a description of the product model and of the defect) be sent to the following address:

In the United States:

Porcher
P.O. Box 6820
Piscataway, New Jersey, 08855
Attention: Director of Consumer Affairs

For residents of the United States, warranty information may also be obtained by calling the following toll free number: (800) 359-3261

In Canada:

Porcher
2480 Stanfield Road
Mississauga, Ontario
Canada L4Y 1S2

Toronto Area: (905) 306-1093
Toll Free: (800) 387-0369

In Mexico:

Porcher
Planta Santa Clara
Via Morelos #330
Santa Clara Coatitla
Ecatepec de Morelos 55540,
Estado de Mexico, Mexico