

ASSEMBLY & INSTALLATION INSTRUCTIONS



Tetsu

24" Wall Hung Cabinet

88920-00

28" Wall System

88920-00 & 88900-00

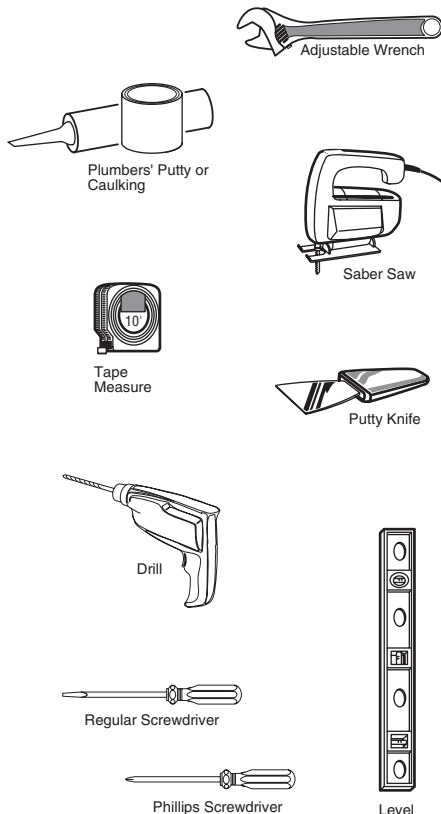
INTRODUCTION

Thank you for selecting our Porcher product. To ensure that your installation proceeds smoothly, read these instructions carefully before you begin. Also, review the recommended tools and materials section. Carefully unpack and examine your new plumbing fixture.

ALL INSTALLATION PROCEDURES MUST COMPLY IN STRICT ACCORDANCE WITH APPLICABLE LOCAL PLUMBING AND BUILDING CODES

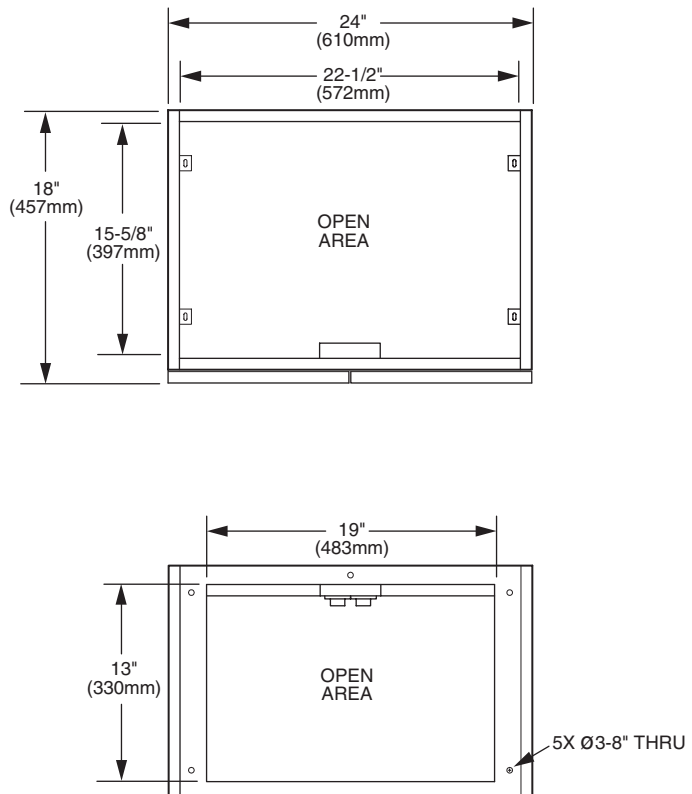
Tools and Materials Required

Most of the procedures require the use of common tools and materials, which are available from hardware and plumbing, supply stores. It is essential that the tools and materials be on hand before work is begun.



Roughing-in Dimensions

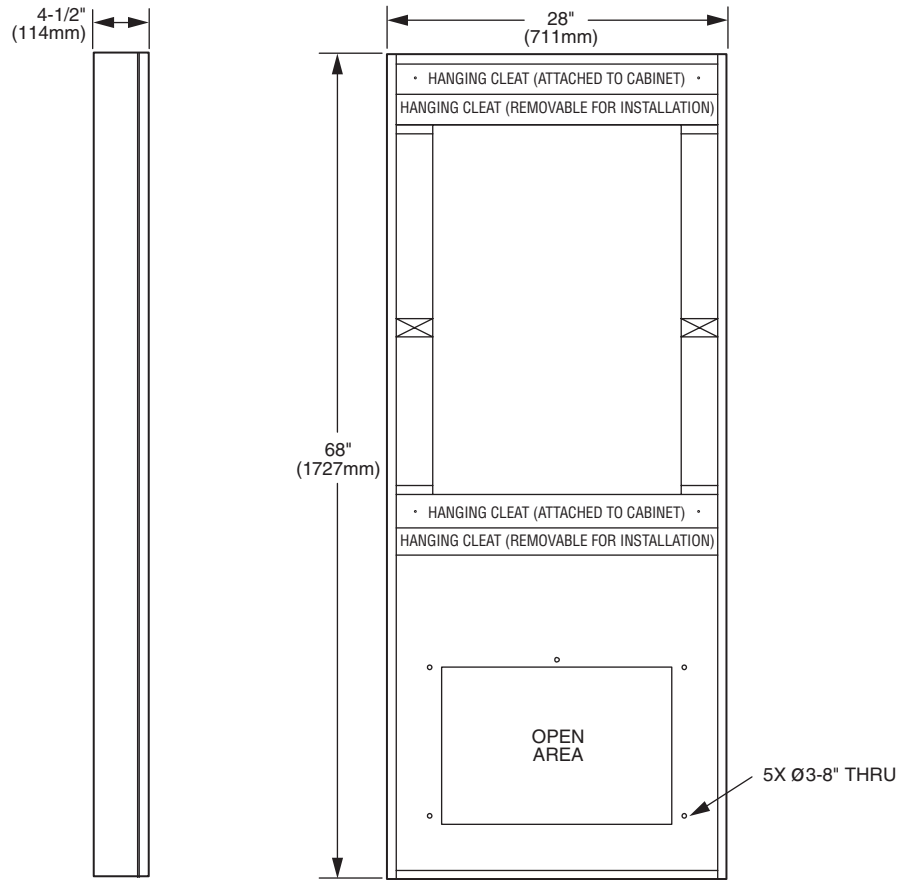
Wall Hung Cabinet 88920-00



NOTE: Locate supplies and "P" trap in open area.

Roughing-in Dimensions

Wall System
88920-00 & 88900-00



SIDE VIEW

BACK VIEW

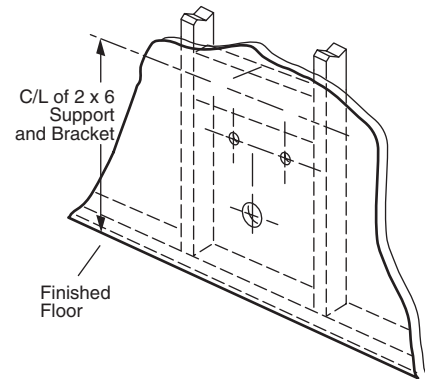
1

Installation Instructions for Wall Hung Vanity 88920-00

Provide suitable reinforcement required for anchoring the cabinet to the wall. Install a 2 x 6 cross-braces between wall studs.

Determine horizontal centerline locations of mounting hardware required to support cabinet and wall mounted sinks.

See illustration.

**2**

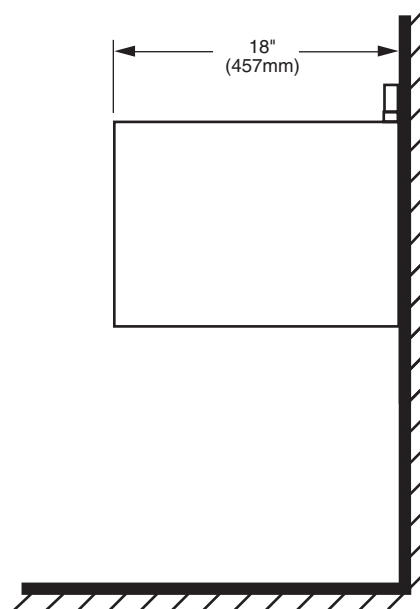
Locate 5 pre-drilled holes at the rear of cabinet.

Using a level, fasten cabinet against wall and through cross-brace using screws (not supplied) which are a minimum of 1/4 inch diameter. Select the screw length such that it fully engages the 2 x 6 cross-brace.

Fasten cabinet against wall and into cross-brace through five pre-drilled holes at the rear of cabinet.

If molding is present and prevents installation of the vanity flush against the wall, notch the molding for a secure installation.

See illustration.



NOTE: The OPEN AREA at the rear of the vanity is provided for water supplies and drain. Verify that supplies and drain are accommodated by this cut-out.

3

Install vanity top, sink and faucet in accordance with manufacturer's instructions.

1

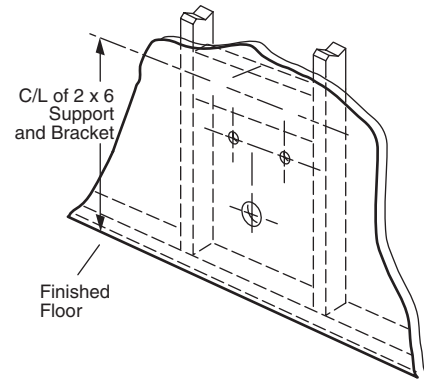
Installation Instructions for Wall System 88900-00

Provide suitable reinforcement required for anchoring the drawer to the wall. Install a 2 x 6 cross-braces between wall studs.

Determine horizontal centerline locations of mounting hardware required to support vanity and wall mounted sinks.

Center the combined height of the two cleats on each of the two 2 x 6 cross-braces.

See illustration.

**2**

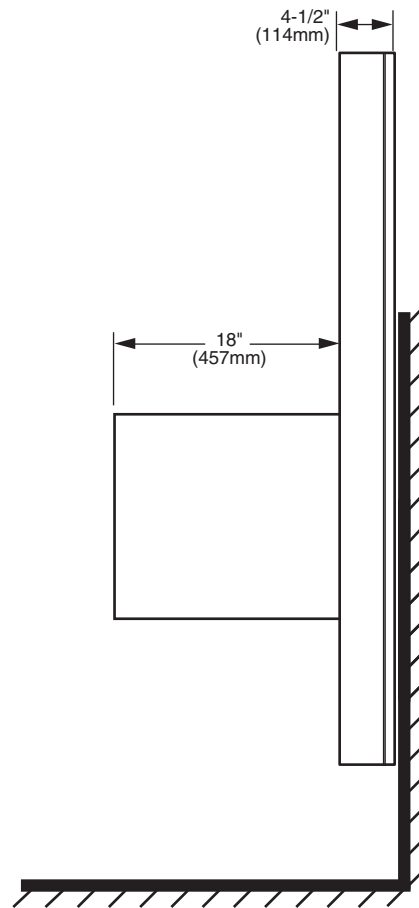
Remove the two lower cleats from the backside of unit by unfastening screws.

Using a level, fasten lower cleats against wall and through cross-braces using screws (not supplied) which are a minimum of 1/4 inch diameter. Select the screw length such that it fully engages the 2 x 6 cross-brace.

Hang cabinet on beveled cleats against wall.

Fasten upper cleat against wall and through cross-brace using minimum 1/4 inch diameter screws (not supplied).

If molding is present and prevents installation of the drawer flush against the wall, notch the molding for a secure installation.

**3**

Fasten cabinet to threaded inserts in wall system using screws provided.

4

Install vanity top, sink and faucet in accordance with manufacturer's instructions.

Care and Cleaning of Vanity

The finished solid wood and genuine wood veneer components used in your furniture are finished with a high quality, catalyzed top coat designed to withstand the wear of continuous usage for many years. Our finishing materials are specially formulated to meet the most stringent industry standards for resistance to moisture, food stains, grease, cosmetics, soap and detergents. This finish protects the wood and enhances its natural beauty. The following are guidelines and recommendations to keep your Porcher furniture looking beautiful.

Regular Exterior Cleaning requires only wiping with a damp cloth and drying with a soft, clean cloth.

Remove Oil, Grease or General Soil using a clean cloth dampened with a solution of mild soap, such as Murphy's Oil Soap® and water. Dry thoroughly.

Never use soap pads, steel wool, self polishing waxes or cleaners that contain bleach, ammonia or abrasives.

Preserve Your Finish by Removing Excess Water

PORCHER FURNITURE LIMITED WARRANTY

If inspection of this Porcher plumbing product, within one year after its initial purchase, confirms that it is defective in materials or workmanship, Porcher will repair or, at its option, exchange the product for a similar model. Variations in actual wood color and finishes which may result from natural characteristics of the wood, such as grain patterns, mineral streaks and the like, are not defects and are not covered by this warranty.

This warranty applies only to the original purchaser and installation of these products. In the event of a claim, proof of purchase will be required; save your receipt.

This limited warranty **does not apply** to local building code compliance. Since local building codes vary considerably, the purchaser of this product should check with a local building or plumbing contractor to insure local code compliance before installation.

This warranty **is void** if the product has been moved from its initial place of installation; if it has been subjected to faulty maintenance, abuse, misuse, accident or other damages; if it was not installed in accordance with Porcher's instructions; or if it has been modified in a manner inconsistent with the product as shipped by Porcher.

Porcher's option to repair or exchange the product under this warranty does not cover any labor or other costs of removal or installation, nor shall Porcher be responsible for any other incidental or consequential damages attributable to a product defect or to the repair or exchange of a defective product, all of which are expressly excluded from this warranty. This limited warranty **does not** cover any liability for consequential or incidental damages, all of which are hereby expressly disclaimed, or the extension beyond the duration of this limited warranty of any implied limited warranties, including those of merchantability or fitness for an intended purpose. (Some states or provinces do not allow the exclusion or limitation of implied warranties, so this exclusion may not apply to you).

This warranty gives you specific legal rights. You may have other statutory rights that vary from state to state or province to province, in which case this warranty does not affect such statutory rights.

In the United States:

Porcher
P.O. Box 6820
Piscataway, New Jersey, 08855
Attention: Director of Consumer Affairs

For residents of the United States, warranty information may also be obtained by calling the following toll free number: (800) 359-3261

In Canada:

Porcher
5900 Avebury Ave.
Mississauga, Ontario
Canada L5R 3M3

Toronto Area: (905) 306-1093
Toll Free: (800) 387-0369

In Mexico:

Porcher
Planta Santa Clara
Via Morelos #330
Santa Clara Coatitla
Ecatepec de Morelos 55540,
Estado de Mexico, Mexico