

INSTALLATION INSTRUCTIONS

MARQUEE ROUND UNDERCOUNTER SINKS



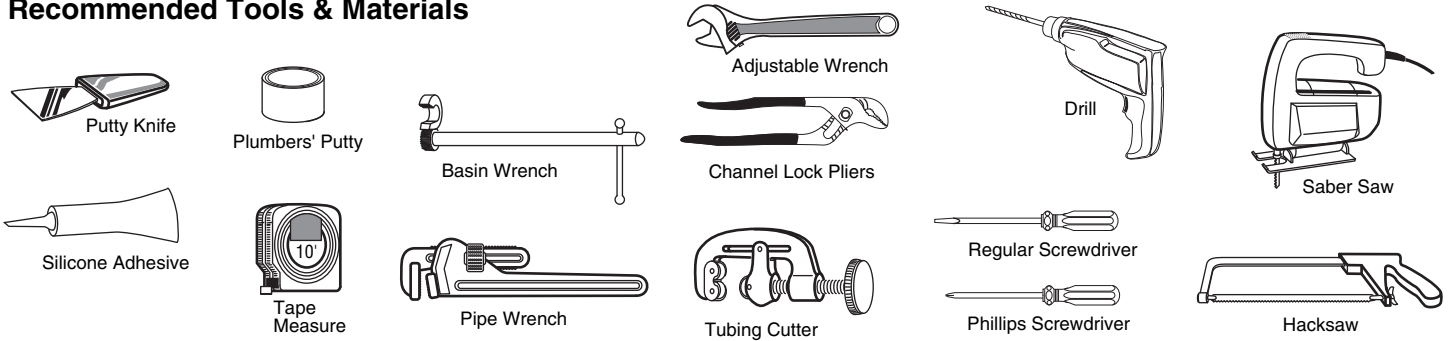
	Petite	Medium	Grande
Round	12110	12070	12030

Thank you for selecting our Porcher product. To ensure that your installation proceeds smoothly, read these instructions carefully before you begin. Also, review the recommended tools and materials section. Carefully unpack and examine your new plumbing fixture.

⚠ CAUTION: CHINA LAVATORIES MAY BE HEAVY AND ARE FRAGILE. USE EXTREME CARE WHEN HANDLING!
 NOTE: Pictures may not exactly define contour of china and components.

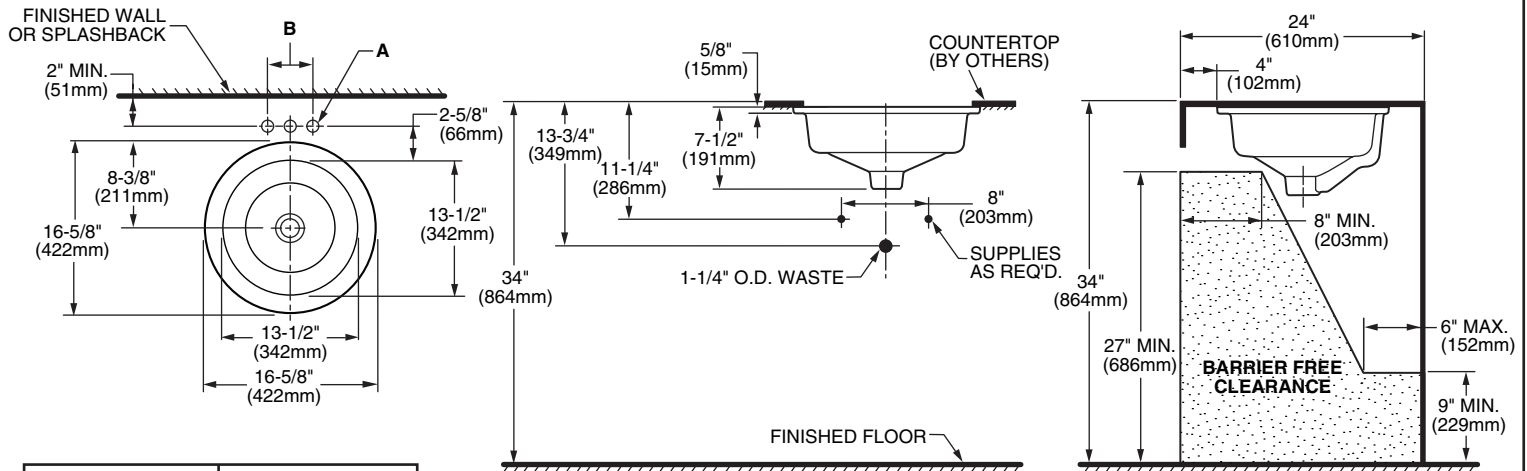
ALL INSTALLATION PROCEDURES MUST COMPLY IN STRICT ACCORDANCE WITH APPLICABLE LOCAL PLUMBING AND BUILDING CODES

Recommended Tools & Materials



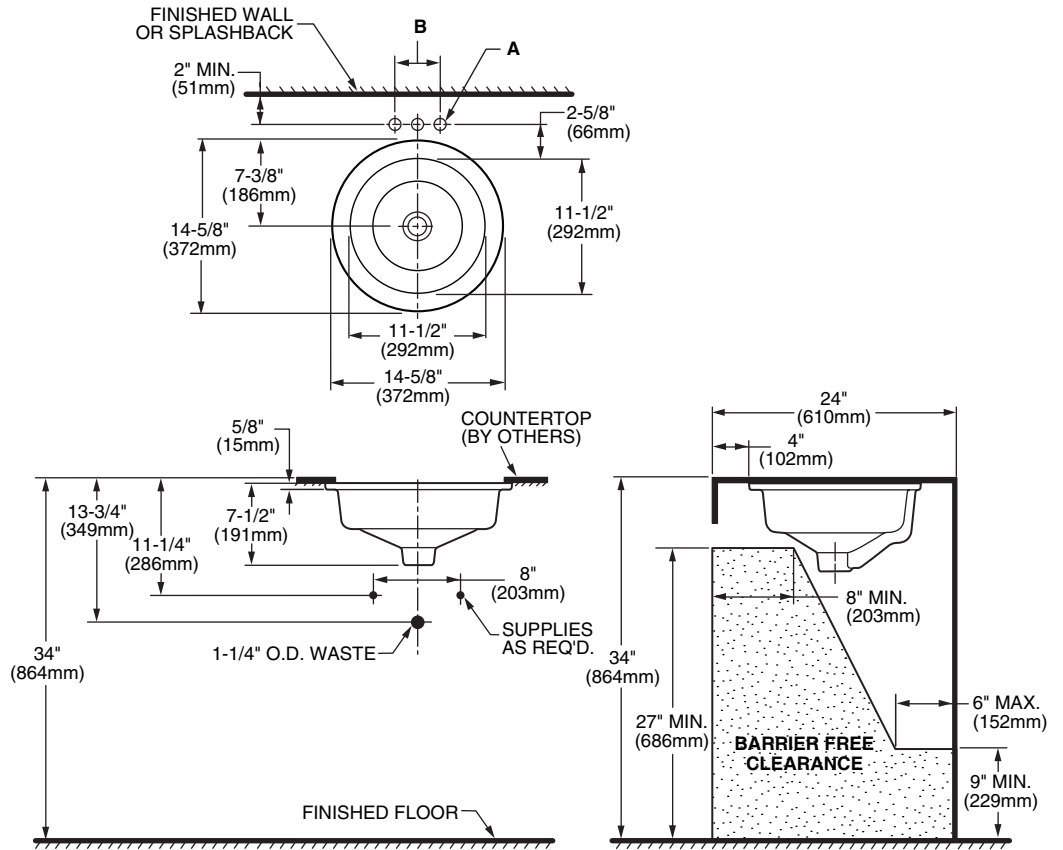
NOTE: More specialized tools may be necessary to install this sink to countertop materials other than wood or wood composites.

Rough-in: 12030 Marquee Grande Round Undercounter Lavatory

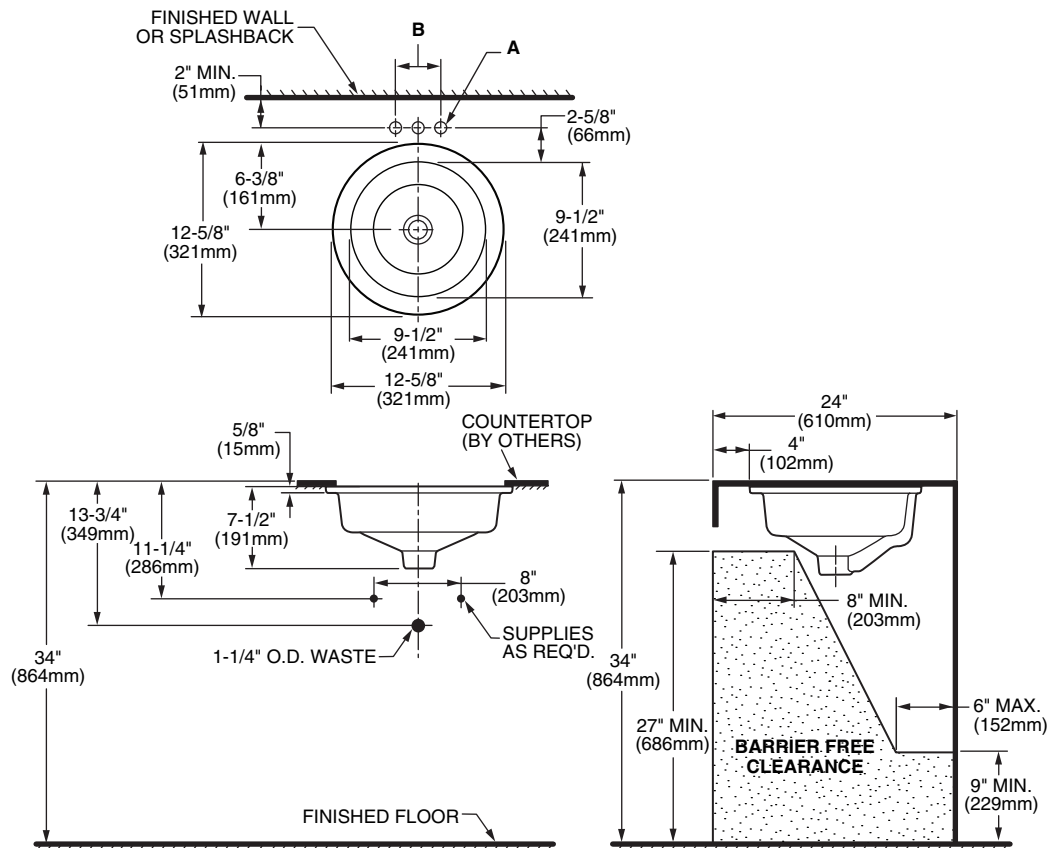


A-Fitting Dia.	B-Fitting Spread
A	B
1-3/8" (35mm)	4" (102mm)
1-3/8" (35mm)	8" (203mm)

Rough-in: 12070
Marquee Round
Undercounter Lavatory



Rough-in: 12110
Marquee Petite
Round Undercounter Lavatory



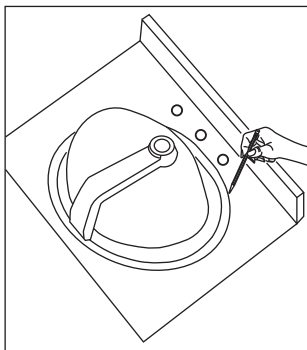
A-Fitting Dia.	B-Fitting Spread
A	B
1-3/8"(35mm)	4"(102mm)
1-3/8"(35mm)	8"(203mm)

1

NOTE: To avoid damage to countertop, install sink such that future removal from underneath the countertop is possible.

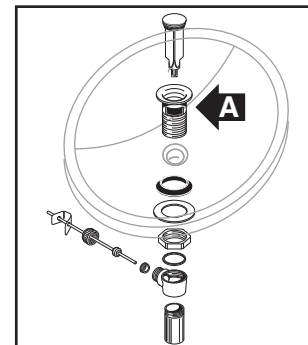
First, make sure the clearance between the backsplash, faucet, fixtures and cabinets are acceptable for the new sink.

For ADA compliance, all models must be installed with the overflow in the rear.



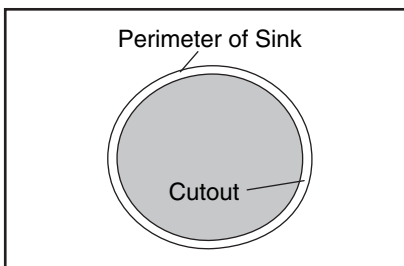
5

Mount the drain assembly (not included) on the sink, following faucet manufacturer's instructions. Be certain to apply a bead of sealing putty on the underside of the drain (Part "A") in order to ensure a watertight seal between the sink and drain. Remove excess putty after installing drain on sink.



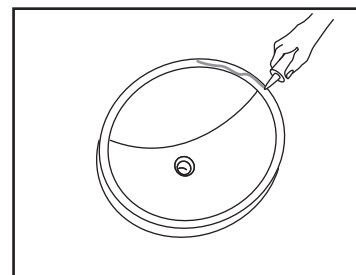
2

Carefully cut out the enclosed template, then position and trace the template on the countertop as shown on the template. Make a mark of the faucet hole centerline on the countertop. Drill a 1/2" pilot hole on the inside of the cut line. Use a saber saw or a keyhole saw to cut out the countertop opening.



6

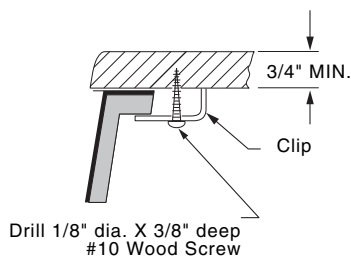
After checking fit and alignment of sink to cut out, apply a bead of silicone adhesive to rim of sink. The use other compounds is not recommended.



3

FOR WOOD COUNTERTOP

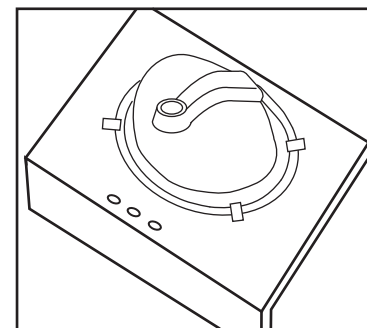
Mark and pre-drill the wood screw holes as located on the enclosed template. Waterproof any exposed areas of wood.



7

Center bowl over cutout and tighten screws (see 3 or 4) to secure bowl to countertop. Remove excess sealant from inside lip.

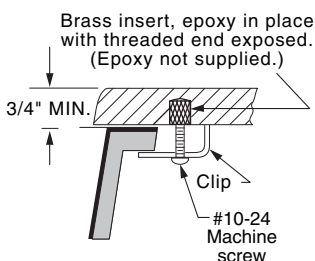
NOTE: The screws provided should be used on countertops with a minimum 1" thickness. For thinner countertops, use appropriate anchors and fasteners.



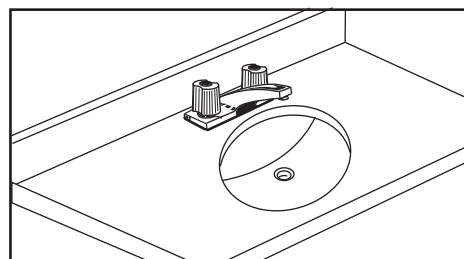
4

FOR MARBLE OR SOLID SURFACE COUNTERTOP

To protect countertop, place it on a foam padding and drill 3/8 Dia. X 1/2 deep hole as per location shown on template.



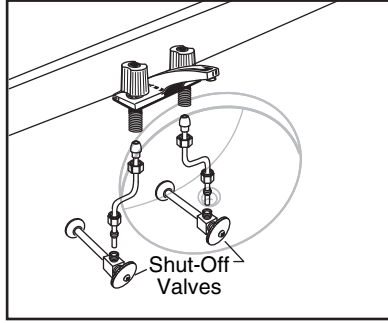
8



Install faucet (not included) and countertop (not included) following manufacturers instructions.

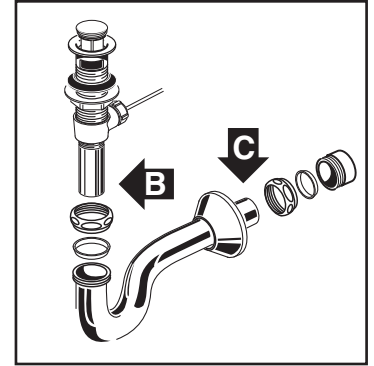
9

Connect supply line to faucet (finger tight) and carefully bend tubes to engage with the supply shut-off valves. Tighten connections at faucet and shut-off valves for water tight seal.



10

Connect trap to drain assembly hand tight to check alignment. It may be necessary to cut off part of the tailpiece (area "B") or part of the horizontal leg of the trap (area "C"). Secure joints for watertight assembly.



REPAIR PARTS

REPAIR PART NUMBER	REPAIR PART
7301442-100.0070A	Mounting Kit

CARE AND MAINTENANCE

Do not use harsh abrasives or caustic cleaners to clean fixture surfaces. A mild detergent, warm water, and a soft cloth will remove normal dirt and soap accumulations from fittings and surfaces. Rinse thoroughly after cleaning and polish with a soft dry cloth to restore original luster of material.

PORCHER ONE-YEAR LIMITED WARRANTY

If inspection of this Porcher plumbing product, within one year after its initial purchase, confirms that it is defective in materials or workmanship, Porcher will repair or, at its option, exchange the product for a similar model.

This warranty **does not apply** to local building code compliance. Since local building codes vary considerably, the purchaser of this product should check with a local building or plumbing contractor to insure local code compliance before installation.

This warranty **shall be void** if the product has been moved from its initial place of installation; if it has been subjected to faulty maintenance, abuse, misuse, accident or other damage; if it was not installed in accordance with Porcher's instructions; or if it has been modified in a manner inconsistent with the product as shipped by Porcher.

Porcher's option to repair or exchange the product under this warranty does not cover any labor or other costs of removal or installation, **nor shall Porcher be responsible for any other incidental or consequential damages attributable to a product defect or to the repair or exchange of a defective product, all of which are expressly excluded from this warranty.** (Some states or provinces do not allow the exclusion or limitation of implied warranties, so this exclusion may not apply to you.)

This warranty gives you specific legal rights. You may have other statutory rights that vary from state to state or from province to province, in which case this warranty does not affect such statutory rights.

For service under this warranty, it is suggested that a claim be made through the contractor or dealer from or through whom the product was purchased, or that a service request (including a description of the product model and of the defect) be sent to the following address:

In the United States:

Porcher
P.O. Box 6820
Piscataway, New Jersey, 08855
Attention: Director of Consumer Affairs

For residents of the United States, warranty information may also be obtained by calling the following toll free number: (800) 359-3261

In Canada:

Porcher
2480 Stanfield Road
Mississauga, Ontario
Canada L4Y 1S2

Toronto Area: (905) 306-1093
Toll Free: (800) 387-0369

In Mexico:

Porcher
Planta Santa Clara
Via Morelos #330
Santa Clara Coatitla
Ecatepec de Morelos 55540,
Estado de Mexico, Mexico