



Model 120027

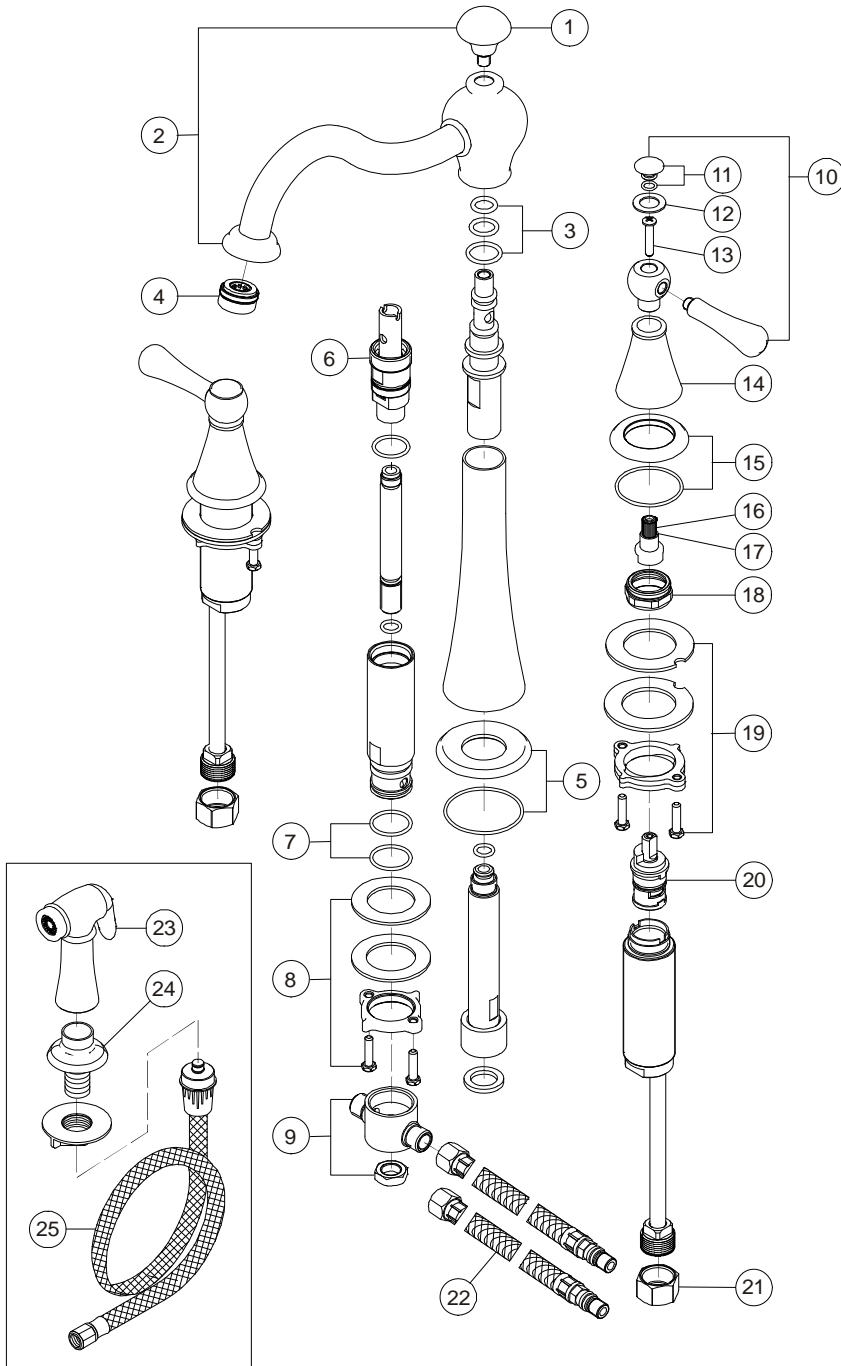
Twin Lever Handle Widespread Kitchen Faucet
Up To 12" Widespread
Chrome Plated Finish
1/2" IPS Connection

SONOMA™



Model 120027

Refer to Premier Faucet Parts List Sheet for part numbers and ordering information.





Model 120027

Twin Lever Handle Widespread Kitchen Faucet
Up To 12" Widespread
Chrome Plated Finish
1/2" IPS Connection

SONOMA™



Refer to Premier Faucet Parts Schematic Sheet for parts diagram.

INDEX	DESCRIPTION	MATERIAL	QTY	PART NO
1	CAP	BRASS	1	994355
2	SPOUT ASSEMBLY	BRASS	1	994488
3	SPOUT GASKET KIT	RUBBER	1	994549
4	AERATOR	BRASS	1	144219
5	BASE ASSEMBLY	BRASS	1	994386
6	SPRAY DIVERter	PLASTIC	1	994644
7	O-RING	RUBBER	2	994536
8	INSTALLATION KIT	BRASS	1	994266
9	TEE BLOCK ASSY	BRASS	1	994590
10	HANDLE ASSEMBLY	BRASS	2	994139
11	SCREW COVER ASSY H & C SET	BRASS	2	994243
12	INDEX RINGS	PLASTIC	2	994206
13	HANDLE SCREW	STEEL	2	994195
14	CANOPY	BRASS	2	994330
15	DECK ESCUTCHEON ASSY	BRASS	2	994396
16	HANDLE ADAPTER HOT	METAL	1	994119
17	HANDLE ADAPTER COLD	METAL	1	994118
18	BONNET NUT	BRASS	2	994320
19	INSTALLATION KIT	BRASS	2	994263
20	CARTRIDGE - HOT & COLD	CERAMIC	2	994110
21	COUPLING NUT	BRASS	2	133838
22	HOSE	PLASTIC	2	994560
23	SPRAYER	BRASS	1	994299
24	SPRAY CRADLE	PLASTIC	1	994290
25	SPRAY HOSE	PVC	1	153185

