



Model 120630

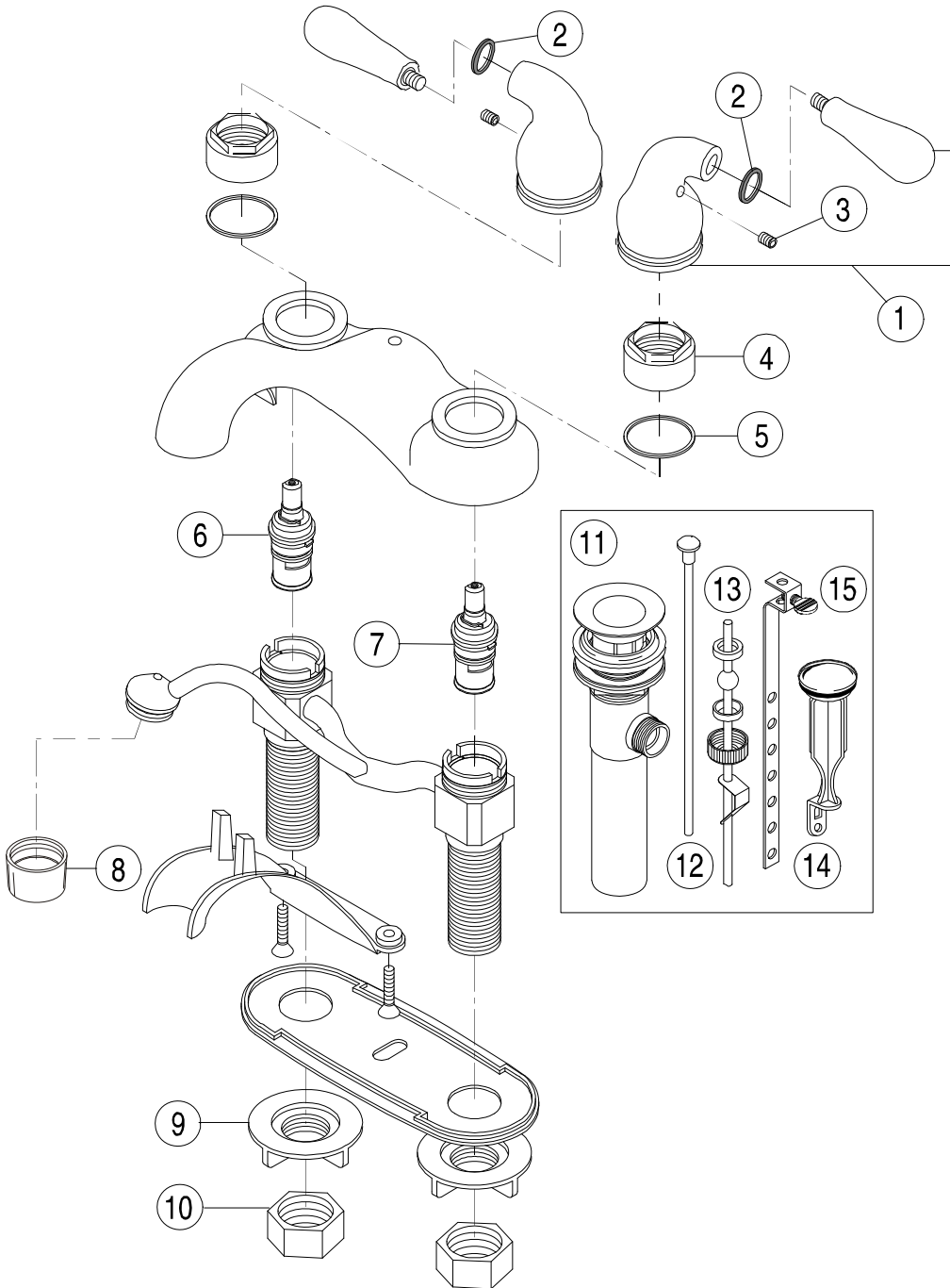
Twin Lever Handle Lavatory Faucet
Chrome Plated Finish
With Brass Pop-Up
1/2" IPS Connection

Sanibel™



Model 120630

Refer to Premier Faucet Parts List Sheet for part numbers and ordering information.



For additional information contact Premier Faucet at 866-745-4010 or visit our website at www.premierfaucet.com



Model 120630

Twin Lever Handle Lavatory Faucet
Chrome Plated Finish
With Brass Pop-Up
1/2" IPS Connection

Sanibel™



Model 120630

Refer to Premier Faucet Parts Schematic Sheet for parts diagram.

INDEX	DESCRIPTION	MATERIAL	QTY	PART NO
1	HANDLE ASSEMBLY	BRASS	2	994173
2	INDEX RINGS	PLASTIC	2	994207
3	HANDLE SCREW	STAINLESS STEEL	2	994197
4	BONNET NUT	ZINC	2	994316
5	CAP GASKET	PLASTIC	2	994515
6	CARTRIDGE - HOT	CERAMIC	1	133508
7	CARTRIDGE - COLD	CERAMIC	1	133509
8	AERATOR	BRASS	1	144211
9	LOCK NUT	ABS	2	133836
10	COUPLING NUT	BRASS	2	133838
11	POP-UP ASSEMBLY	BRASS	1	124100
12	LIFT ROD	METAL	1	994607
13	BALL ROD ASSY	METAL/PLASTIC	1	133833
14	STOPPER	PLASTIC	1	015084
15	LIFT STRAP	METAL	1	133833