



Description

- Single lever handle antique style pull-down spray kitchen faucet
- Trouble-free ceramic cartridge
- Single hole or three hole sink mounting
- Heavy duty chrome plated finish
- All brass construction
- Includes optional deck pate for three hole mount with soap dispenser
- Includes optional color matched soap dispenser for three hole mount

Performance

- Designed to provide 2.2 GPM at 60 PSI

Compliance

- Designed to comply with requirements of ASME A112.18.1
- Meets low lead requirements of NSF Standard- 61, Section- 9
- Meets low lead requirements of California Proposition- 65
- Complies with the requirements of the UPC (Uniform Plumbing Code)
- Complies with ADA (American With Disabilities Act)
- Meets or exceeds CSA B125

Listings

- IAPMO (International Association of Plumbing & Mechanical Officials)
- UPC (Uniform Plumbing Code)
- CSA (Canadian Standards Association)
- NSF Certified (National Sanitation Foundation)

Warranty

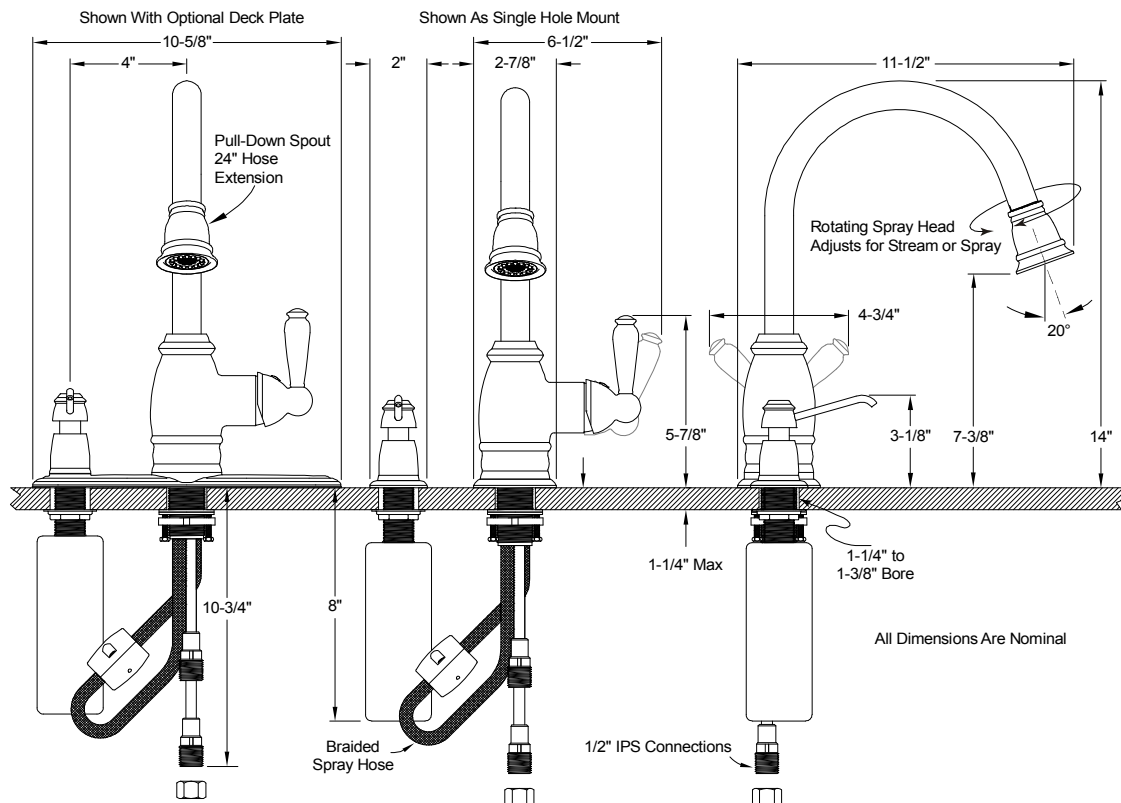
- Limited Lifetime Warranty
Refer to Premier Faucet warranty program for further details and restrictions.

SONOMA™



Model 120110

Single Lever Handle Pull-Down Kitchen Faucet
 Chrome Plated Finish
 With On-deck Soap Dispenser
 1/2" IPS Connection



For additional information contact Premier Faucet at 866-745-4010 or visit our website at www.premierfaucet.com

