

PF244

Rough Brass Laundry Tray Faucet



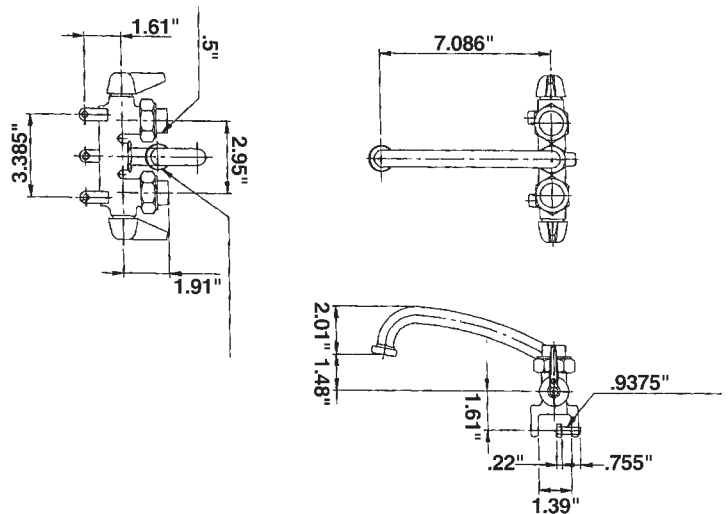
Product Features

- 3 3/8" centers
- Combination union inlet
1/2" threaded or solder
- Clamp-type mounting
- Solid brass body
- Meets ANSI: A112.18.1M
- NSF-61 compliant
- UPC/IAPMO listed
- Solid brass waterways
- Renewable seats and stems
- Polished chrome finish



PF244

Product Specifications



Warranty and Codes

This product comes complete with installation, operating, care and maintenance instructions. This PROFLO faucet carries a limited lifetime warranty. This product meets ANSI: A112.18.1M.

