

PFCSR60CP, PFCSR1KCP

Curved Shower Rod



Product Features

- Made of 22 gauge 304 stainless steel to prevent rusting
- Fits all standard shower curtains
- 1" diameter
- Flange kit included: hardware included for installation into sheetrock, tile, and wood
- Adds 6" additional elbow room

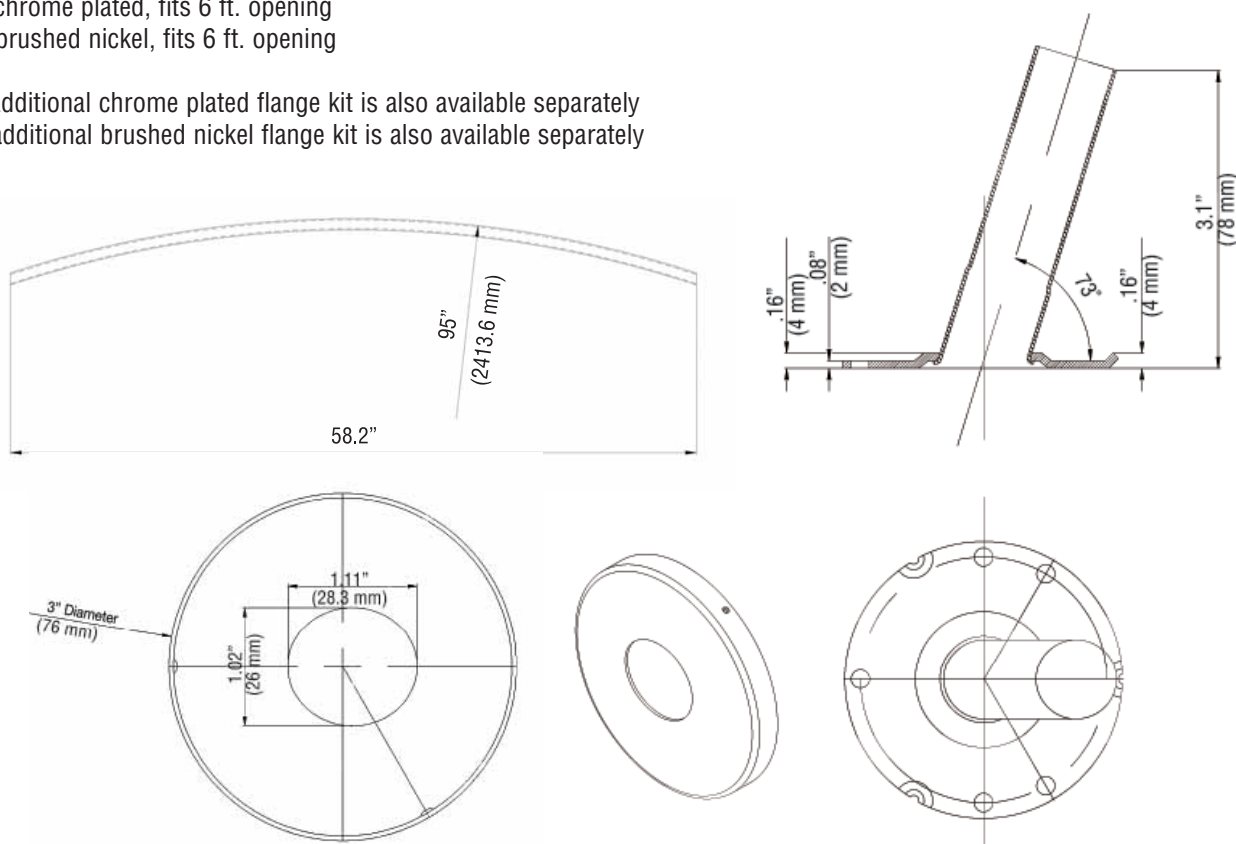


Model Numbers

- PFCSR60CP** - chrome plated, fits 5 ft. opening
- PFCSR60BN** - brushed nickel, fits 5 ft. opening
- PFCSR72CP** - chrome plated, fits 6 ft. opening
- PFCSR72BN** - brushed nickel, fits 6 ft. opening

- PFCSR1KCP** - additional chrome plated flange kit is also available separately
- PFCSR1KBN** - additional brushed nickel flange kit is also available separately

PFCSR60CP, PFCSR1KCP



Warranty and Codes

This product comes complete with installation, operating, care and maintenance instructions. This PROFLO product carries a 1-year limited warranty. This product meets ANSI: A112.18.1M.

PFSCR60, PFC71F, PFSRFCP

Straight Shower Rod



Product Features

- Made of aluminum alloy to prevent rusting
- Fits all standard shower curtains

Model Numbers

PFSCR60* 5' - Chrome

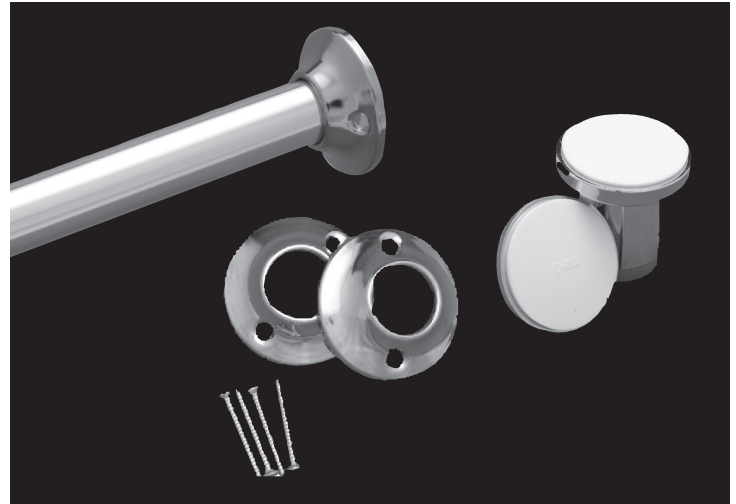
PFSCR72* 6' - Chrome

*Must be used with a kit below

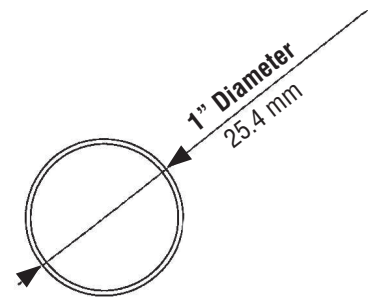
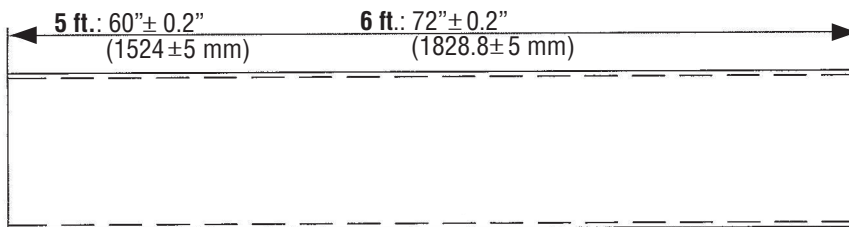
PFSRFCP Shower Rod Flange Kit

PFC71F Diecast Expandtite Rod Holder Kit

PFC71FB Plastic Expandtite Rod Holder Kit



PFSCR60, PFC71F, PFSRFCP



Warranty and Codes

Refer to the instruction sheet in each package for complete installation instructions and illustrations. This product comes complete with installation, operating, care and maintenance instructions. This PROFLO product carries a 1-year limited warranty. This product meets ANSI: A112.18.1M.